

[54] **DEVICE FOR THE SECUREMENT AND PROTECTION OF A CATHETER PLACEMENT ASSEMBLY**

3,900,026 8/1975 Wagner ..... 128/133  
3,901,226 8/1975 Scardenzan ..... 128/133  
4,082,094 4/1978 Dailey ..... 128/133

[76] Inventor: **Richard H. McFarlane**, 506 Tyler Rd., St. Charles, Ill. 60174

*Primary Examiner*—Bernard Ansher  
*Attorney, Agent, or Firm*—John Cyril Malloy

[\*\*] Term: **14 Years**

[57] **CLAIM**

[21] Appl. No.: **777,621**

The ornamental design for a device for the securement and protection of a catheter placement assembly, as shown and described.

[22] Filed: **Mar. 15, 1977**

[51] Int. Cl. .... **D24-04**

**DESCRIPTION**

[52] U.S. Cl. .... **D24/52; D24/53**

FIG. 1 is a perspective view particularly illustrating the top and a first side and end of my device for the securement and protection of a catheter placement assembly design;

[58] Field of Search ..... 128/133, DIG. 26, 214 R, 128/348, 349, 350, 351; D24/52, 53, 99, 51

FIG. 2 is a bottom plan view of the clamp;

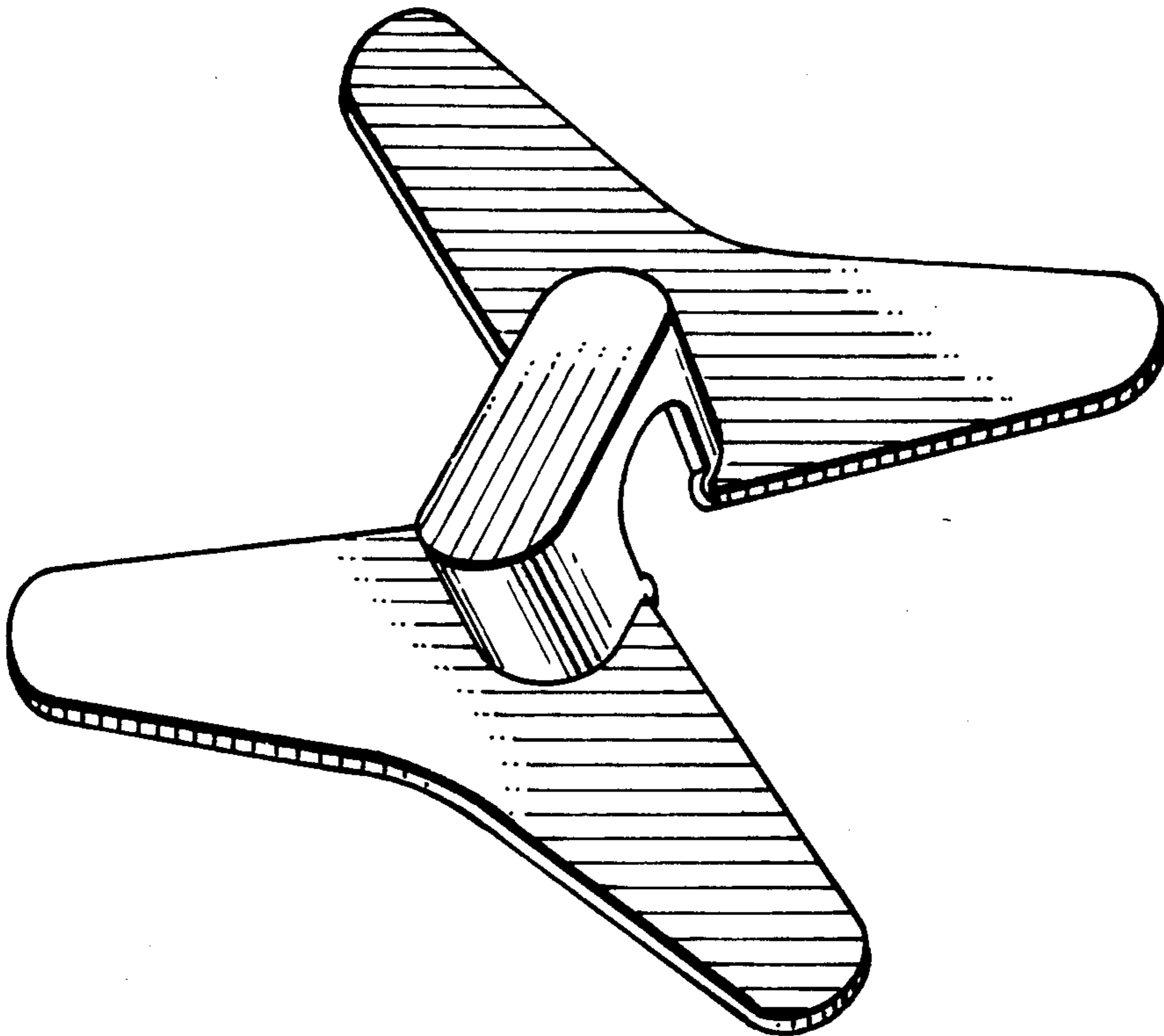
[56] **References Cited**

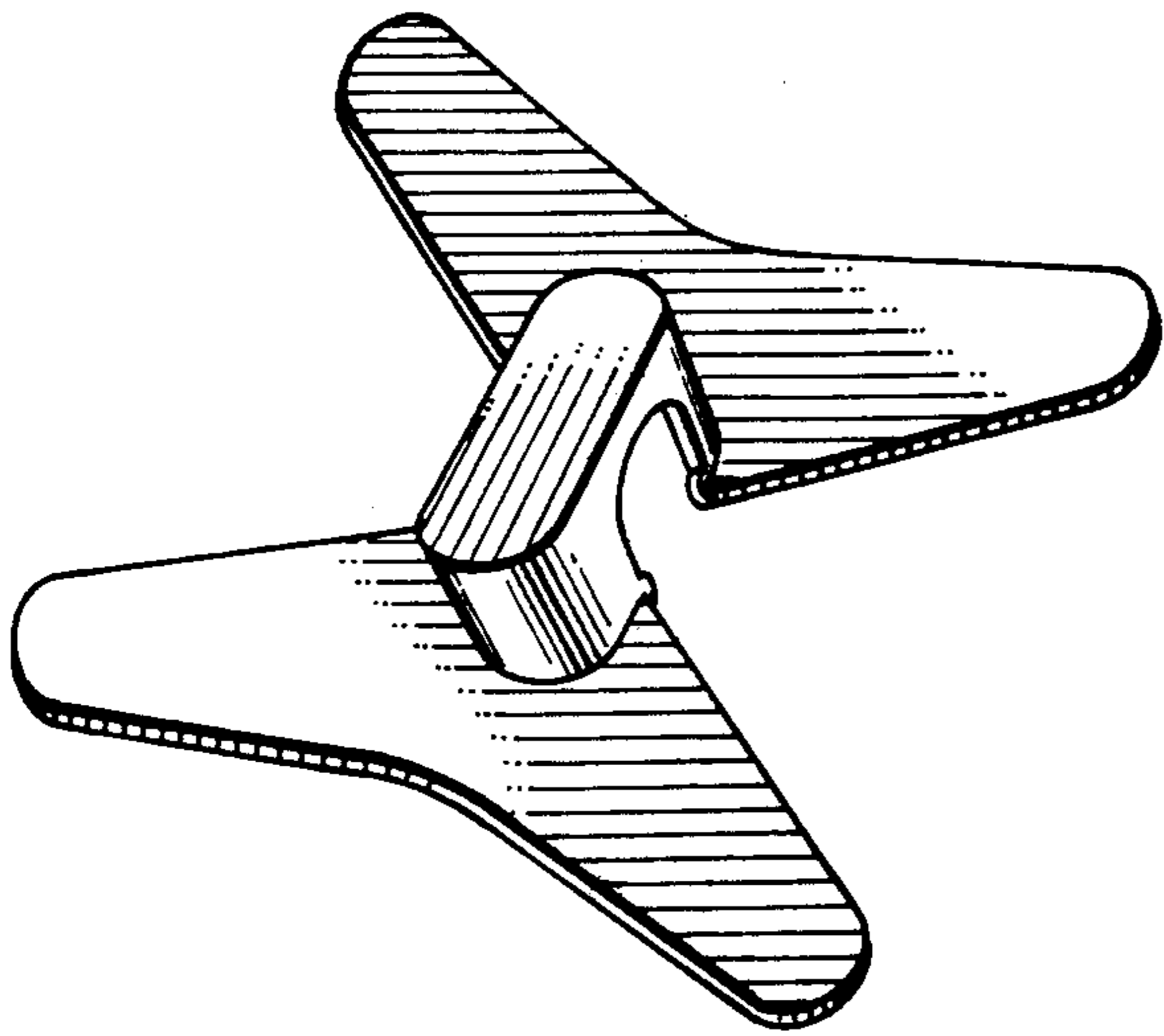
**U.S. PATENT DOCUMENTS**

D. 243,715 3/1977 Trimnell ..... D24/52  
D. 246,989 1/1978 Higgins et al. .... D24/53  
3,782,383 1/1974 Thompson ..... 128/133

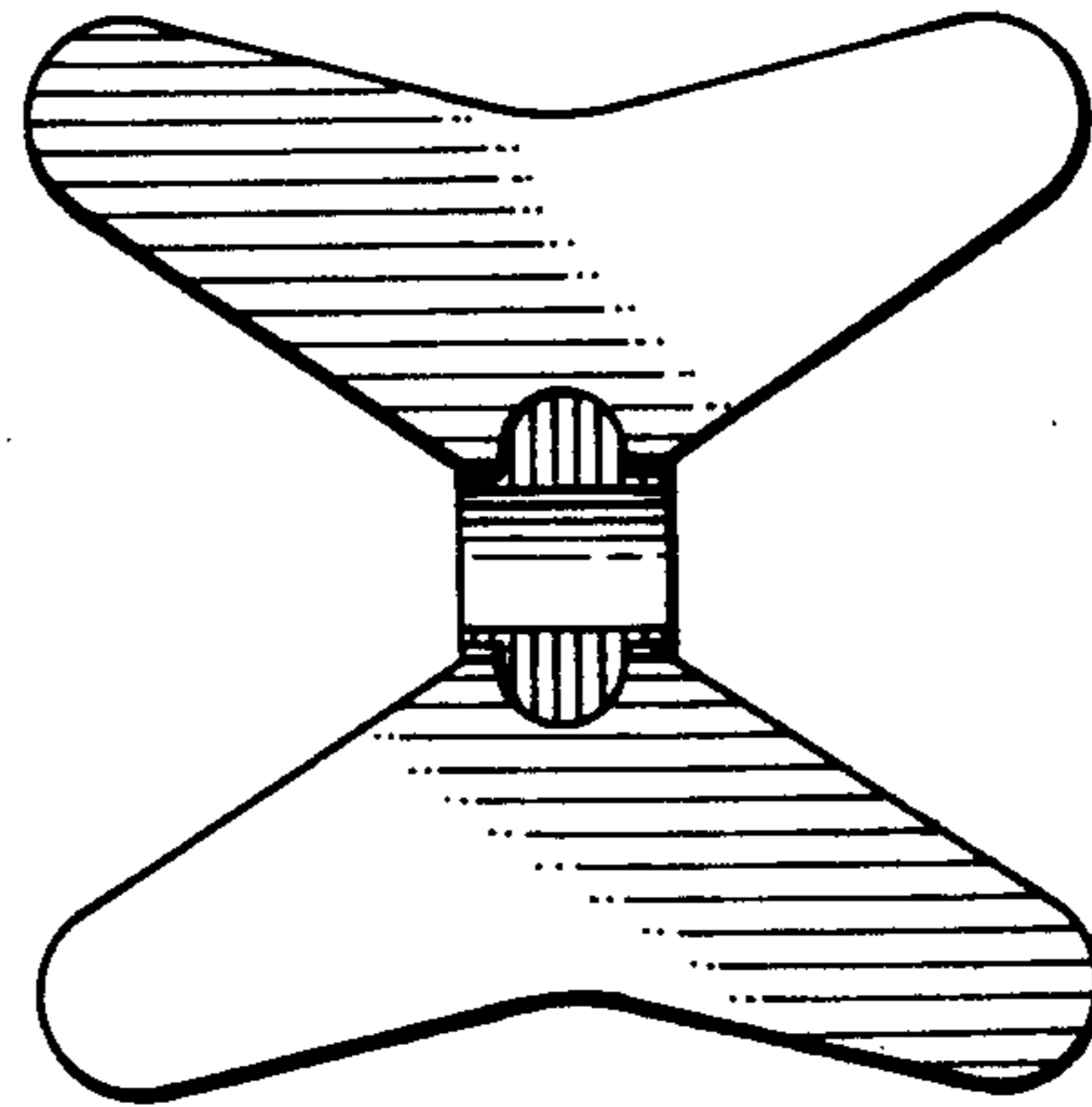
FIG. 3 is an elevational view of a second side of the clamp; and

FIG. 4 is an elevational view of a second end of the clamp.





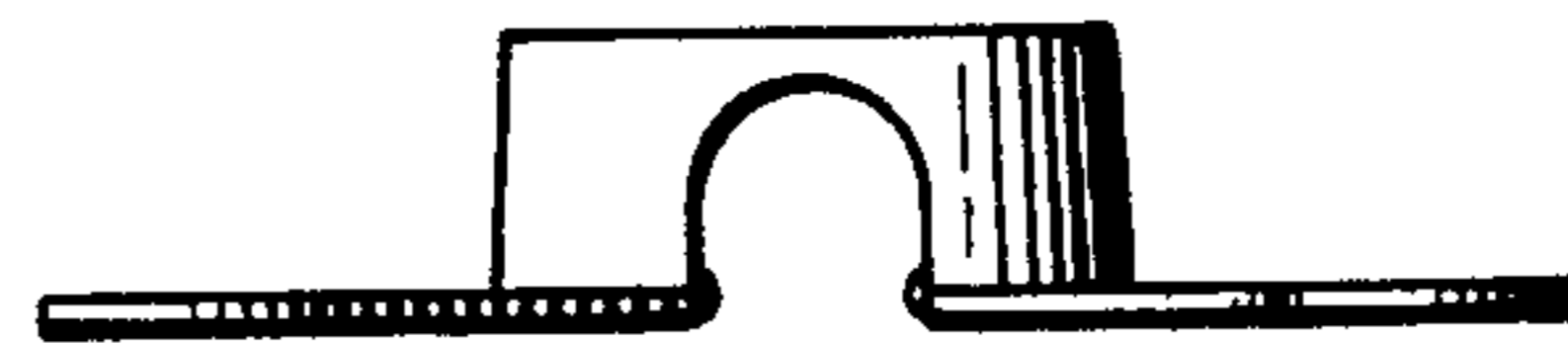
*Fig. 1*



*Fig. 2*



*Fig. 3*



*Fig. 4*