

[54] PEDIATRIC PADDLE ATTACHMENT FOR DEFIBRILLATOR PADDLE

[75] Inventors: John M. Moore, Redmond; David B. Smith, Mercer Island, both of Wash.

[73] Assignee: Physio-Control Corporation, Redmond, Wash.

[\*\*] Term: 14 Years

[21] Appl. No.: 942,751

[22] Filed: Sep. 11, 1978

[51] Int. Cl. .... D24-01

[52] U.S. Cl. .... D24/29; D24/8; D24/17; 128/419 D

[58] Field of Search ..... 128/419 D, 404; D24/29, D24/23, 8

[56] References Cited

U.S. PATENT DOCUMENTS

D. 244,153	4/1977	Jones .....	D24/29
D. 244,154	4/1977	Jones .....	D24/29
3,865,101	2/1975	Saper et al. ....	128/419 D X
4,072,388	2/1978	Dunn .....	128/2.06 G

Primary Examiner—Bernard Ansher  
Attorney, Agent, or Firm—Orland M. Christensen

[57] CLAIM

The ornamental design for a pediatric paddle attachment for defibrillator paddle, as shown and described.

DESCRIPTION

FIG. 1 is a front perspective view of a pediatric paddle attachment for a defibrillator paddle showing our new design;

FIG. 2 is a right side elevational view thereof;

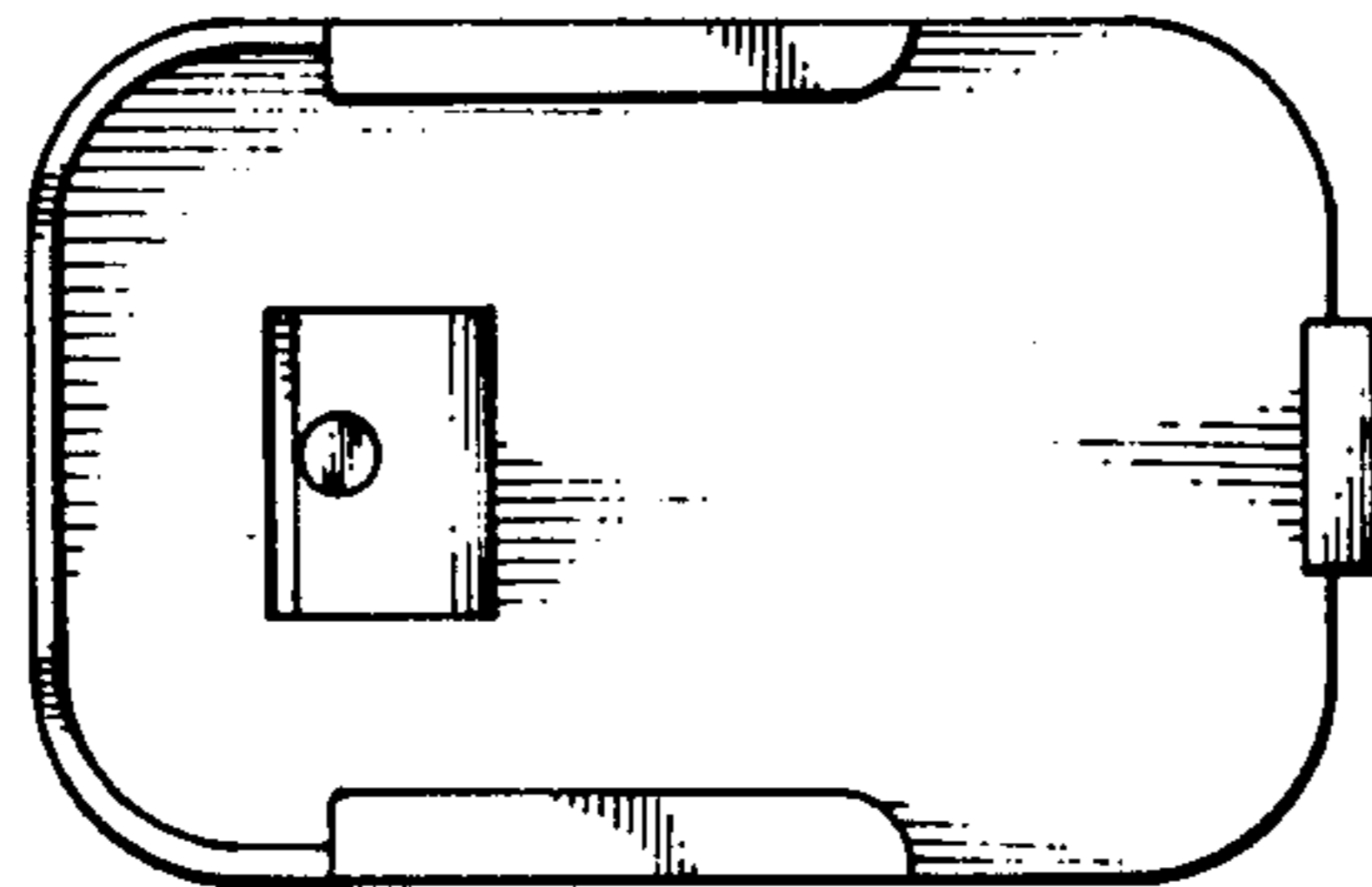
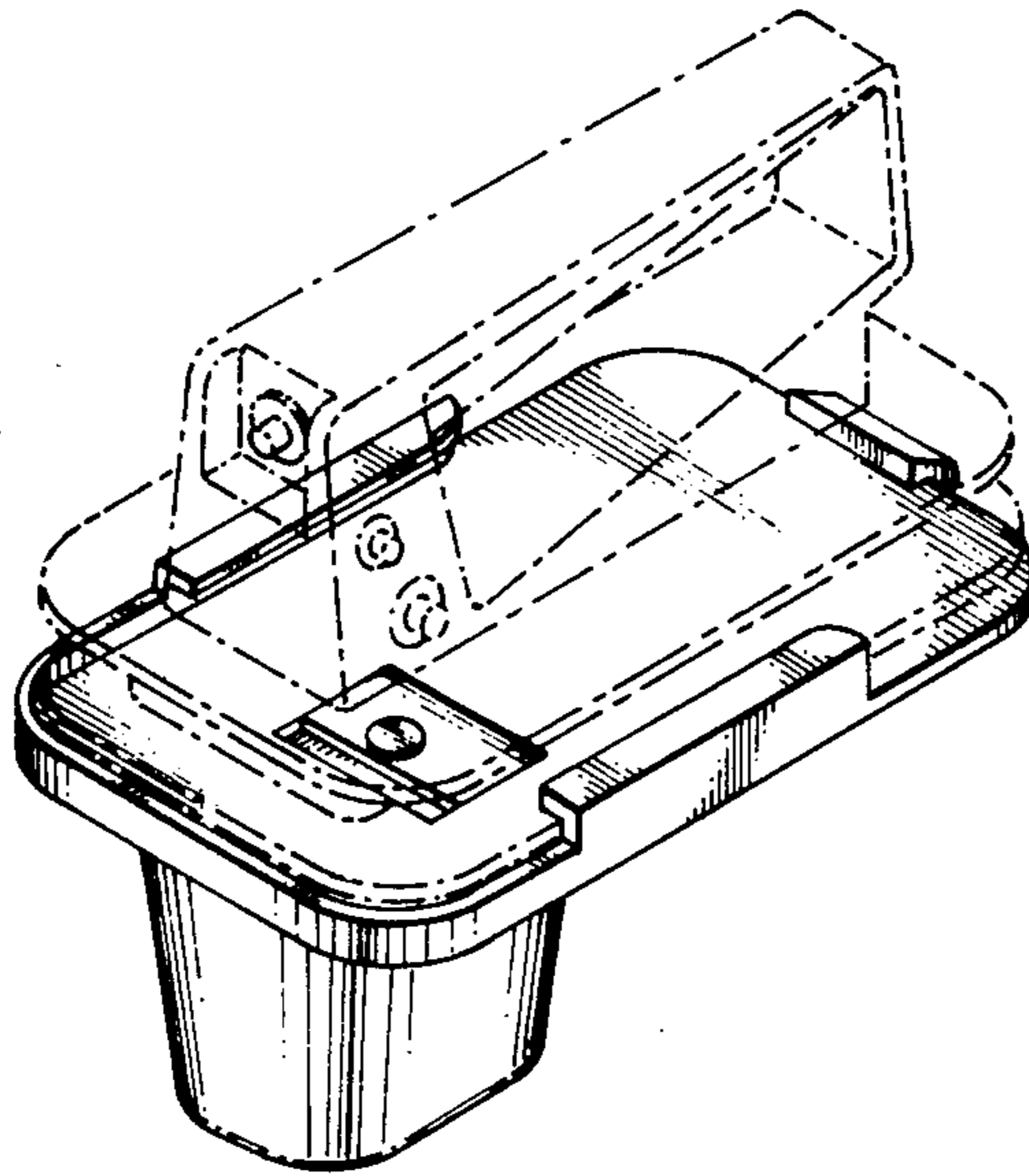
FIG. 3 is a top plan view thereof;

FIG. 4 is a front elevational view thereof;

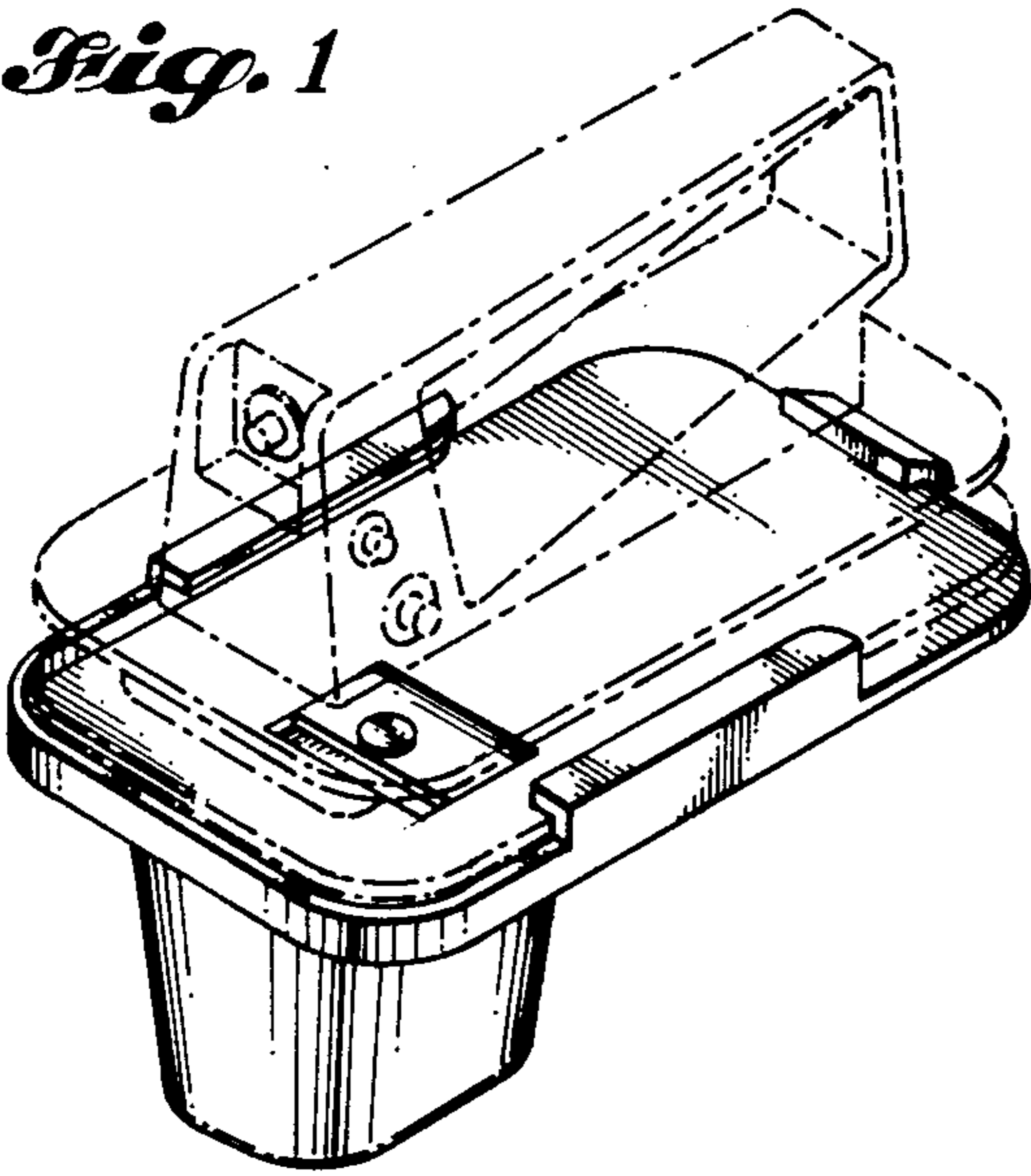
FIG. 5 is a bottom plan view thereof; and

FIG. 6 is a rear elevational view thereof.

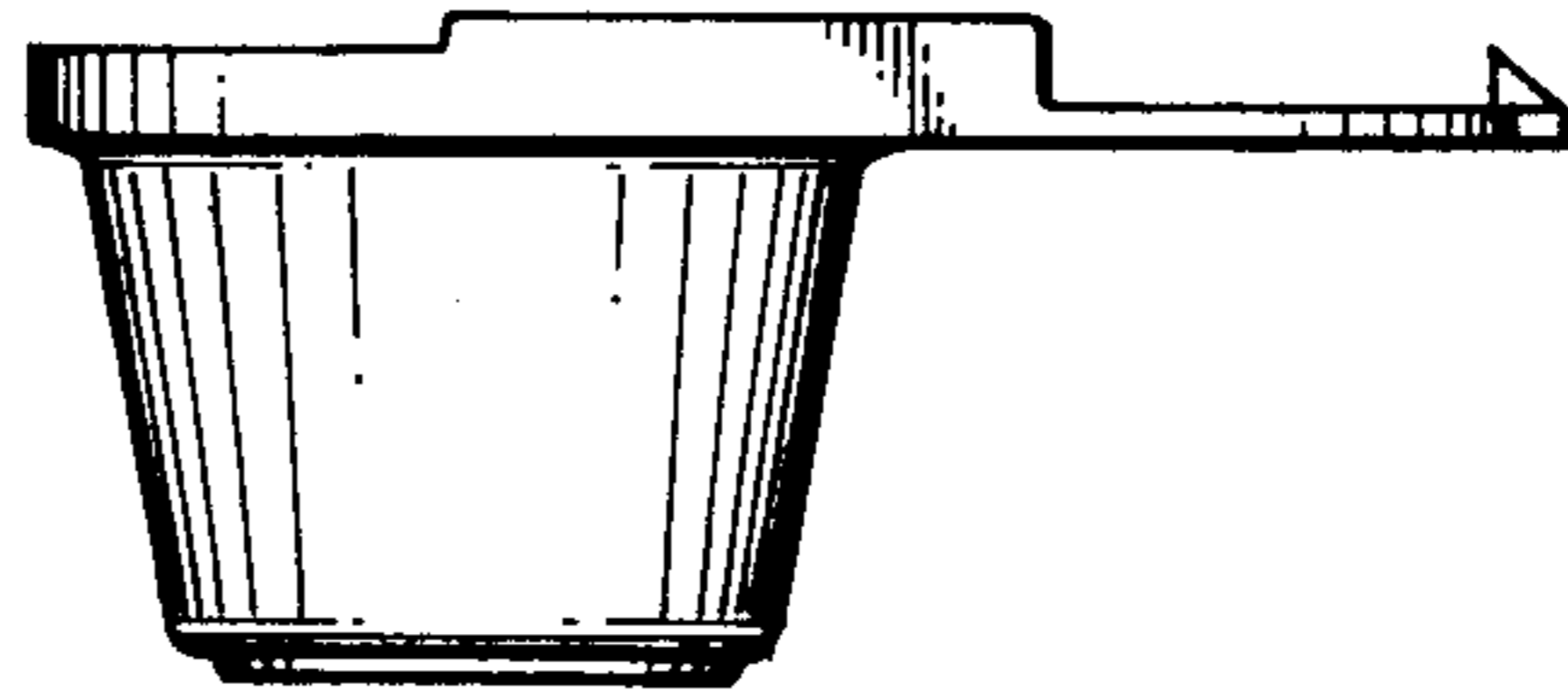
The defibrillator paddle illustrated by dashed lines in FIG. 1 is shown for illustrative purposes only.



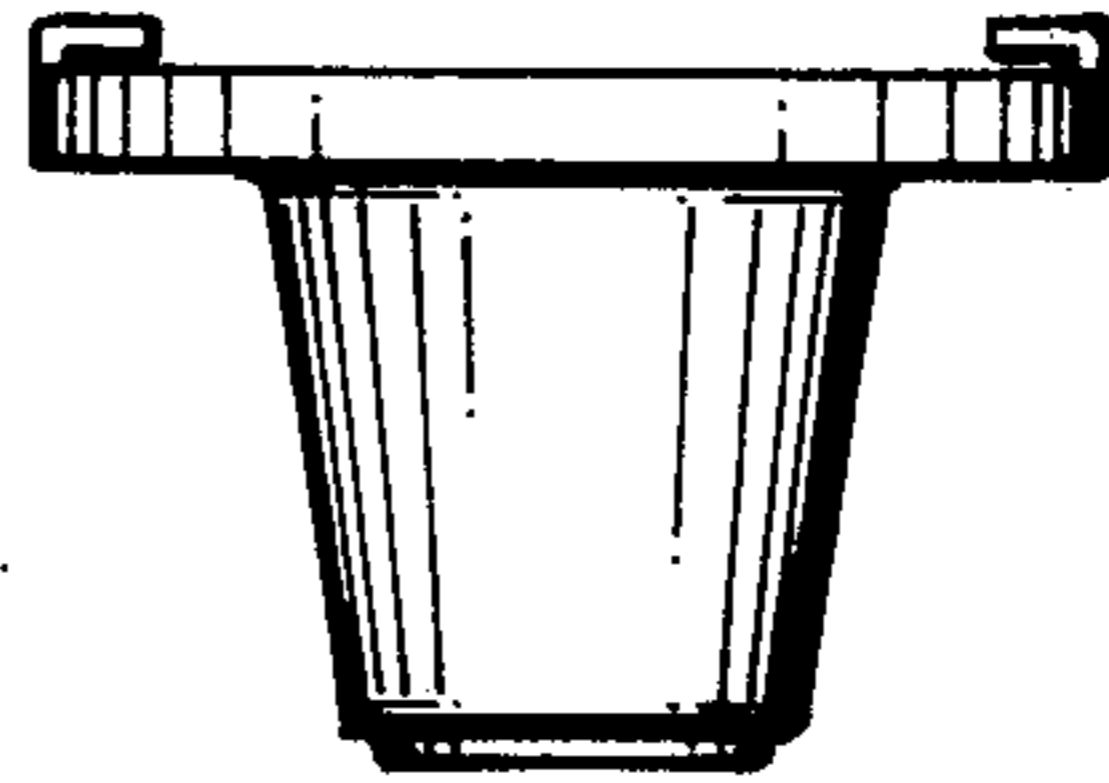
*Fig. 1*



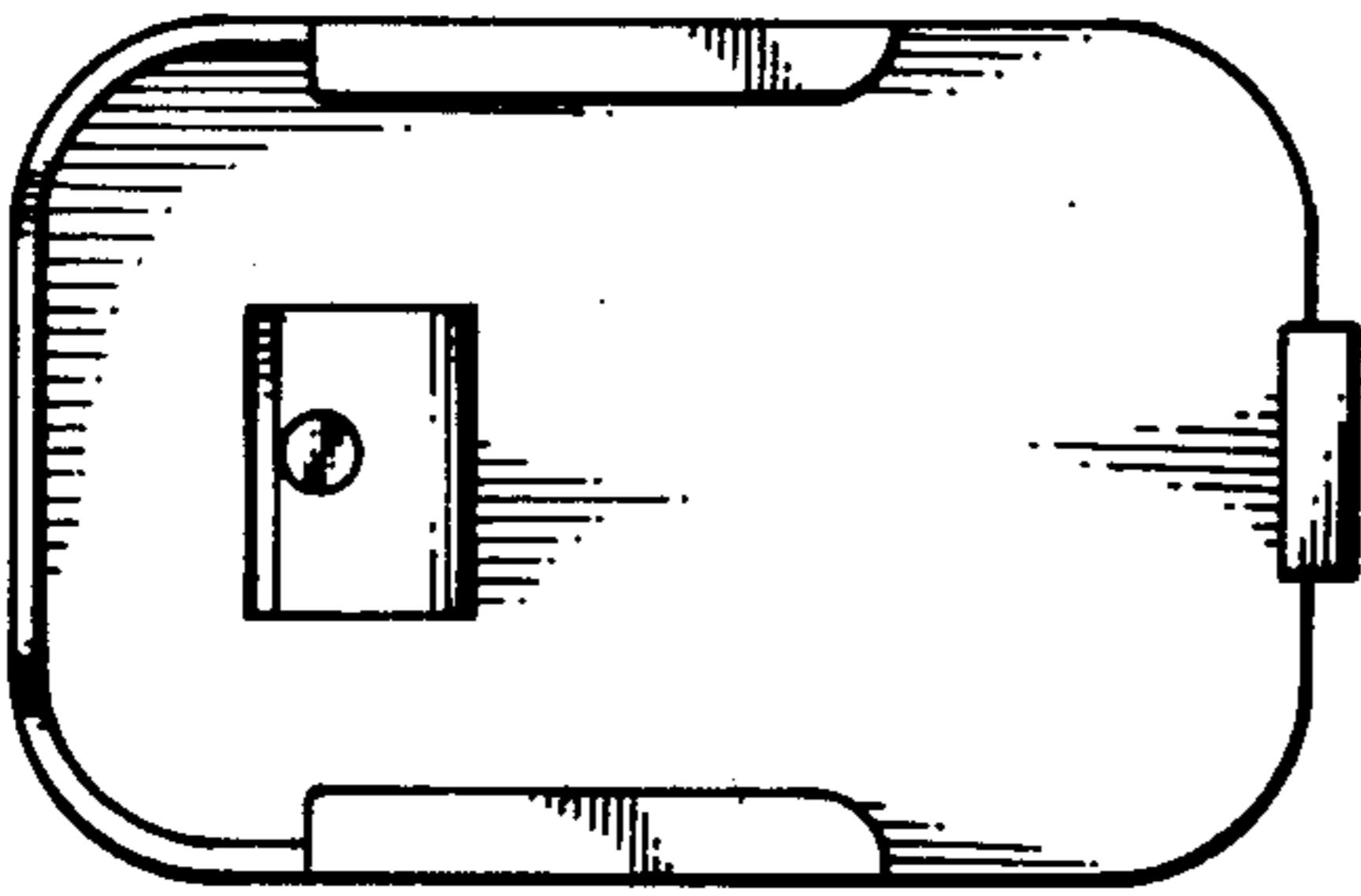
*Fig. 2*



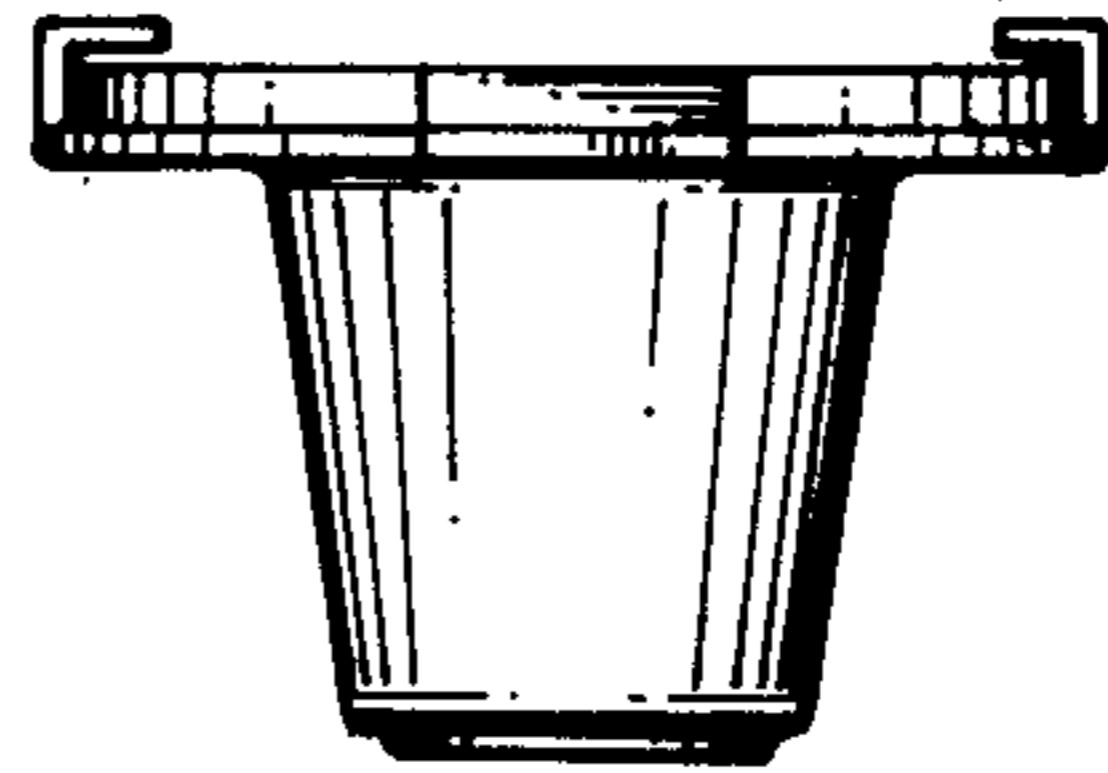
*Fig. 4*



*Fig. 3*



*Fig. 6*



*Fig. 5*

