

[54] LABORATORY TABLE

[75] Inventor: Donald F. Olson, St. Charles, Ill.

[73] Assignee: St. Charles Manufacturing Company, St. Charles, Ill.

[**] Term: 14 Years

[21] Appl. No.: 819,229

[22] Filed: Jul. 27, 1977

[51] Int. Cl. D6-03

[52] U.S. Cl. D24/1.1; D6/179; D6/180

[58] Field of Search D24/1.1, 3; D6/177-179, 180, 156, 157

[56] References Cited

U.S. PATENT DOCUMENTS

D. 194,033	11/1962	Graham	D24/1.1
D. 221,379	8/1971	Salsgiver	D24/1.1
D. 233,106	10/1974	Dean et al.	D6/156 X
D. 234,485	3/1975	Isles	D6/156
D. 241,214	8/1976	Szucs	D6/180 X

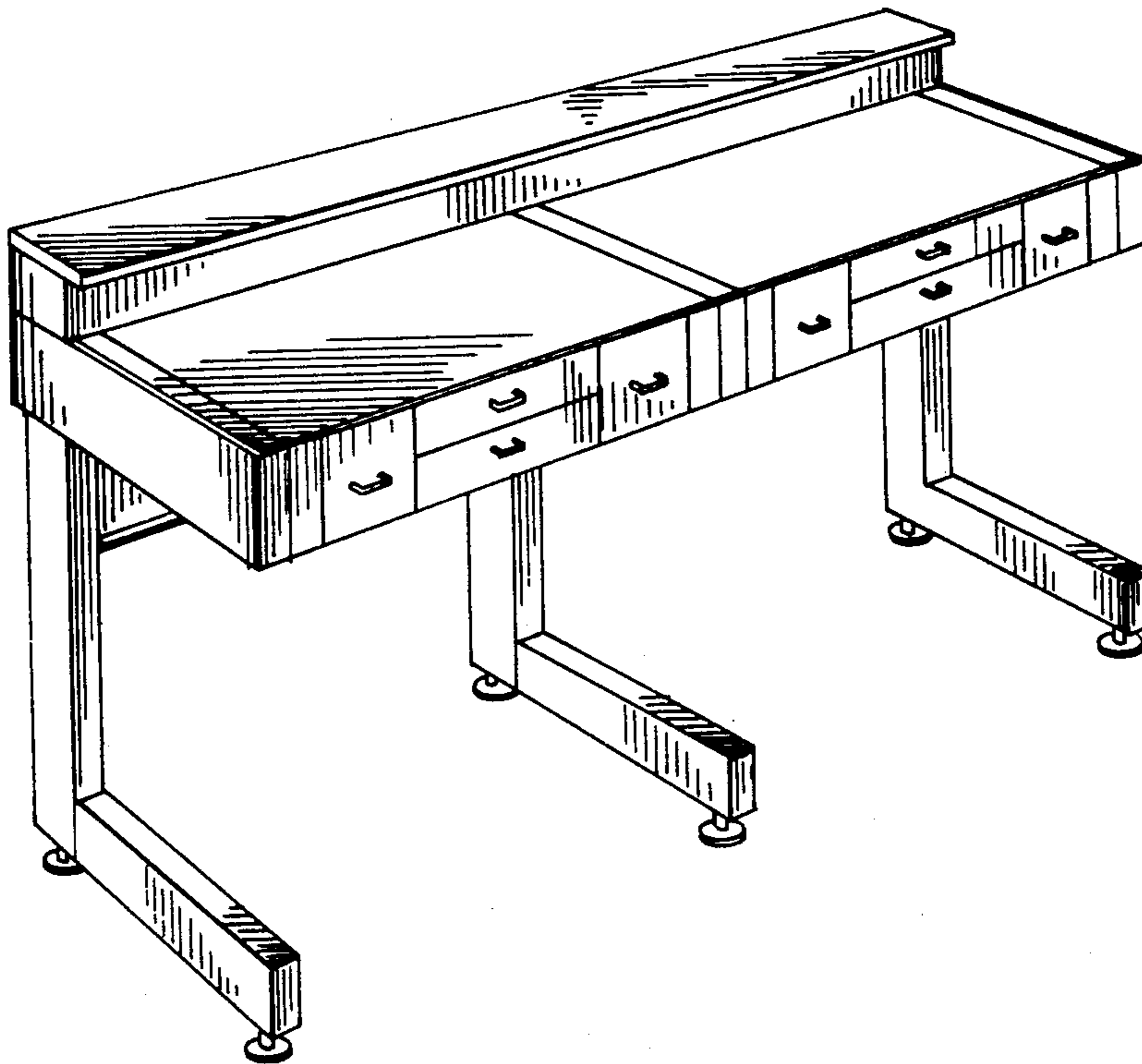
Primary Examiner—Bruce W. Dunkins
Attorney, Agent, or Firm—Robert E. Wagner

[57] CLAIM

The ornamental design for a laboratory table, as shown and described.

DESCRIPTION

FIG. 1 is a top perspective view of a laboratory table showing my new design;
 FIG. 2 is a side elevational view thereof with the side opposite that shown being substantially similar thereto;
 FIG. 3 is a front end elevational view thereof;
 FIG. 4 is a rear elevational view thereof;
 FIG. 5 is a front elevational view thereof showing a modified form on a reduced scale;
 FIG. 6 is a front elevational view of my design of FIG. 1 on a reduced scale; and,
 FIG. 7 is a front elevational view thereof showing another modified form on a reduced scale.
 The bottom portion of my laboratory table (not shown) is substantially flat and unornamented.
 The essential features of my design reside in the laboratory table structure and housing.



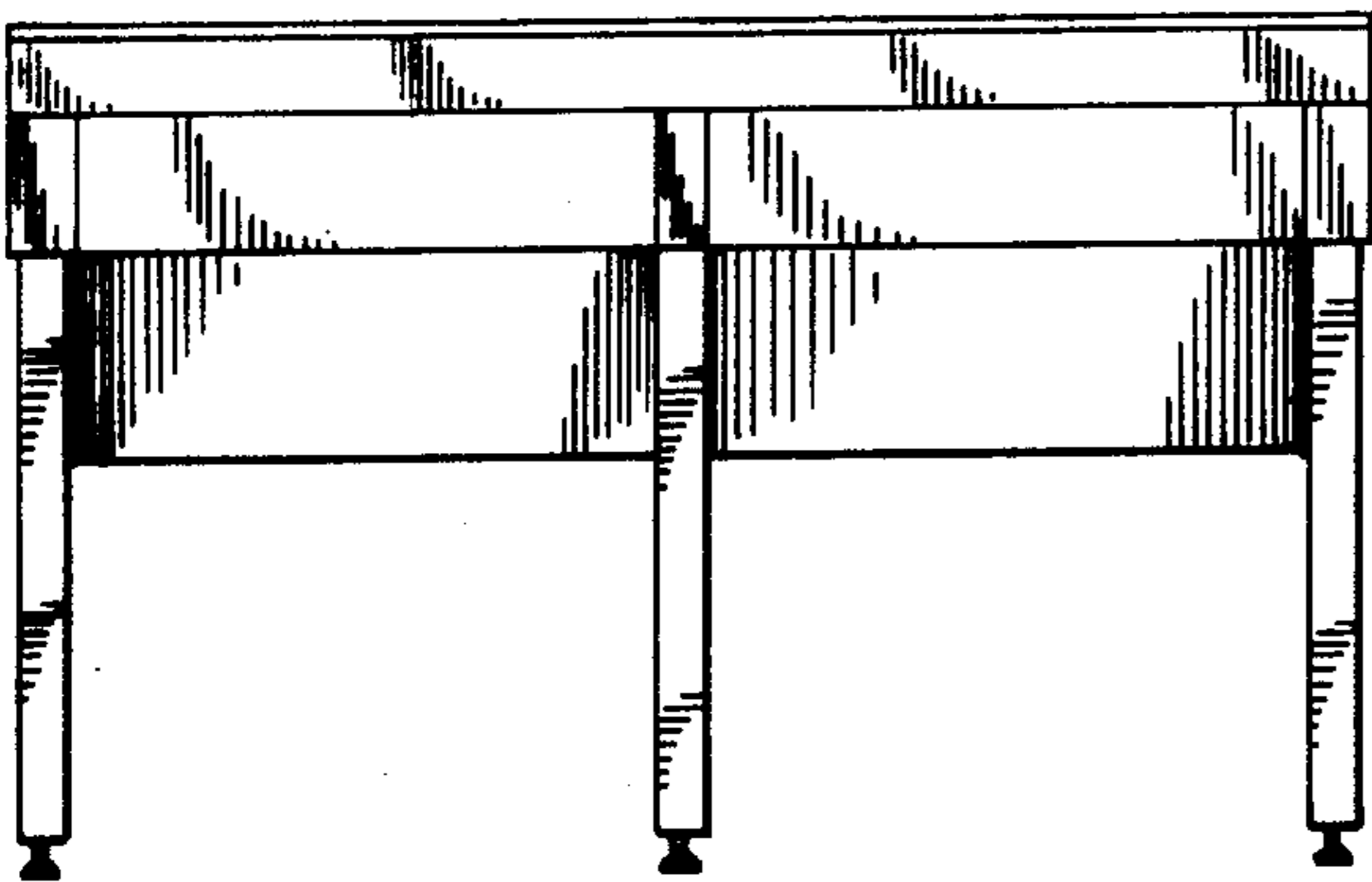
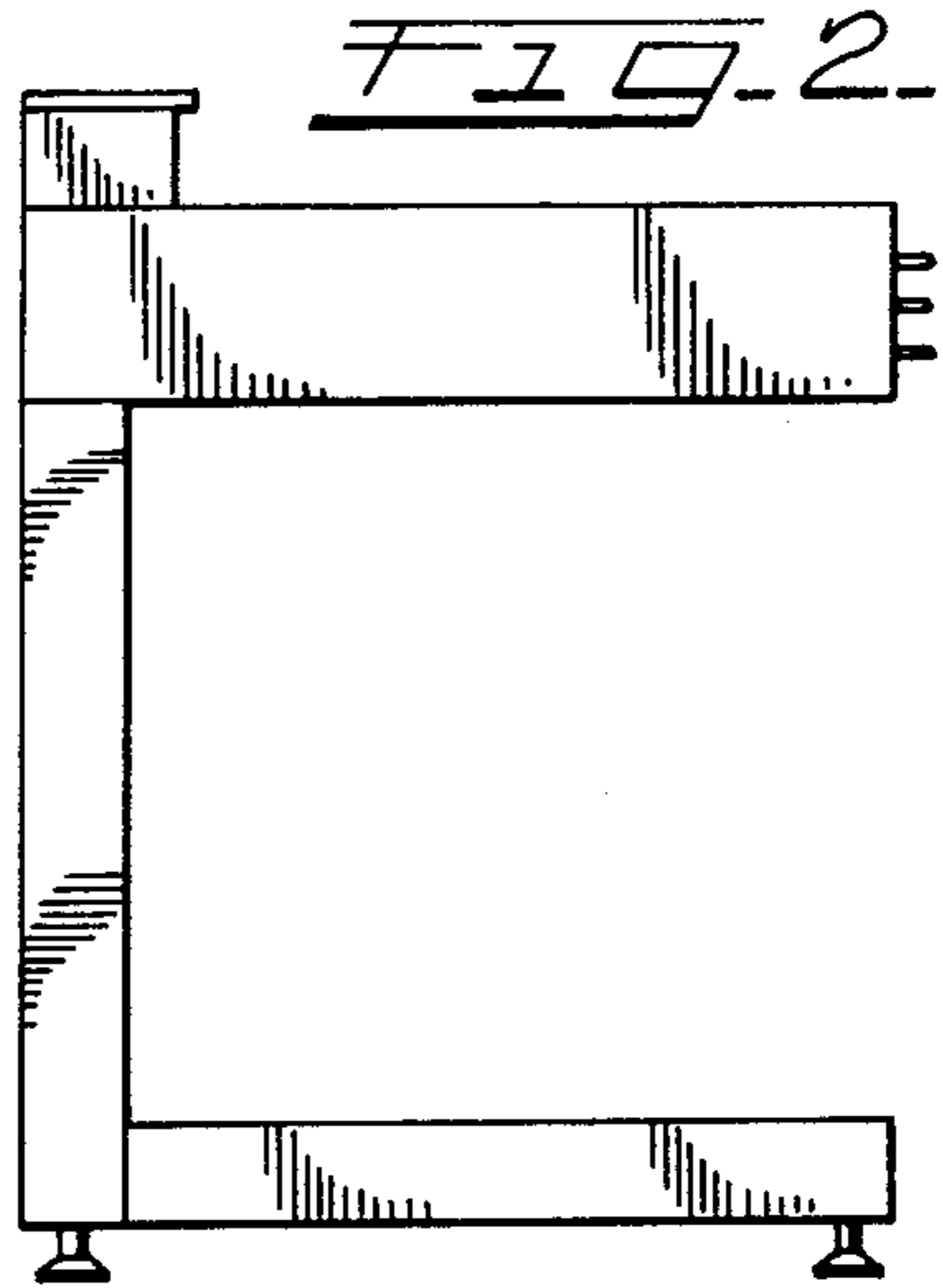
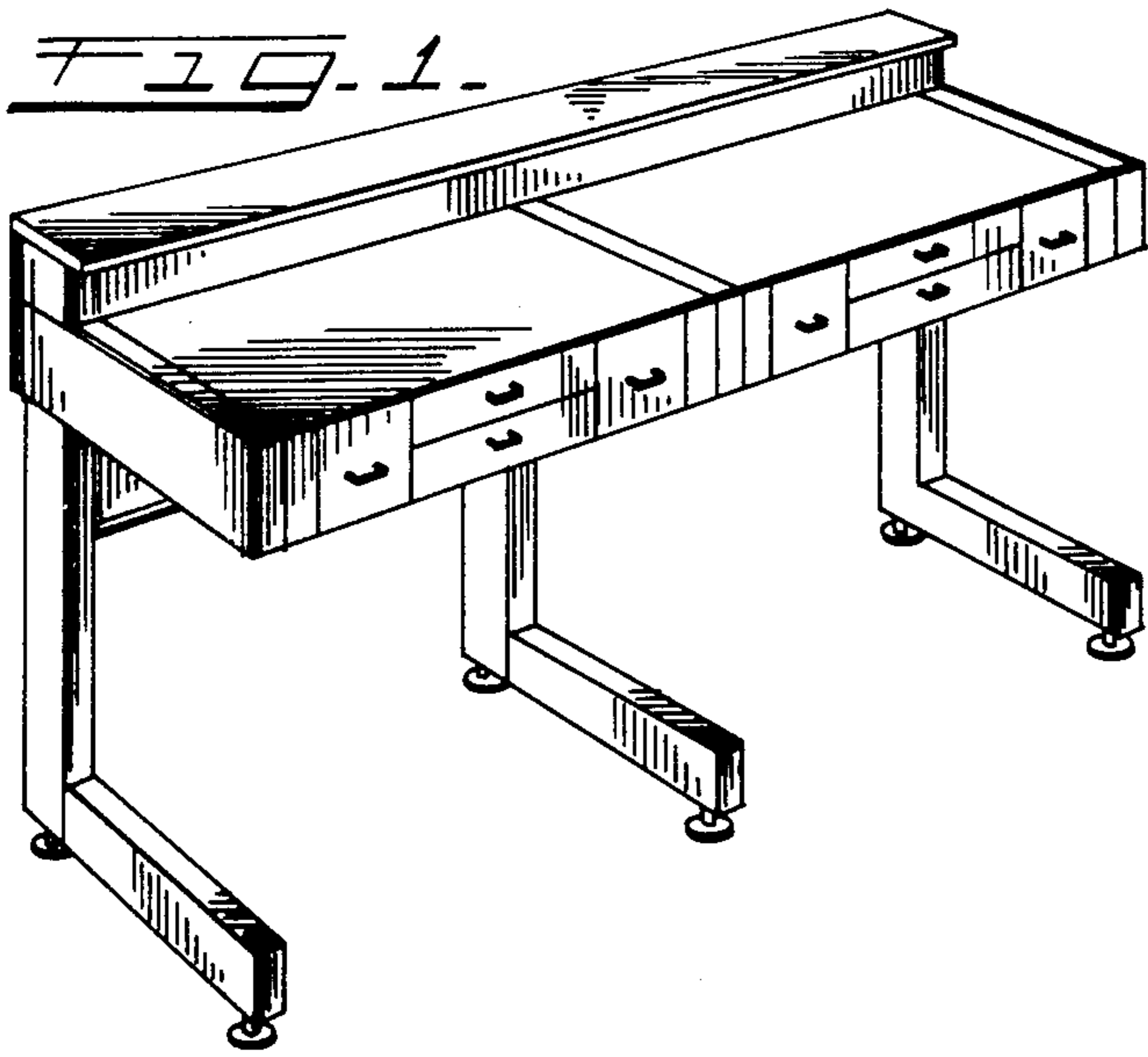


FIG. 3.

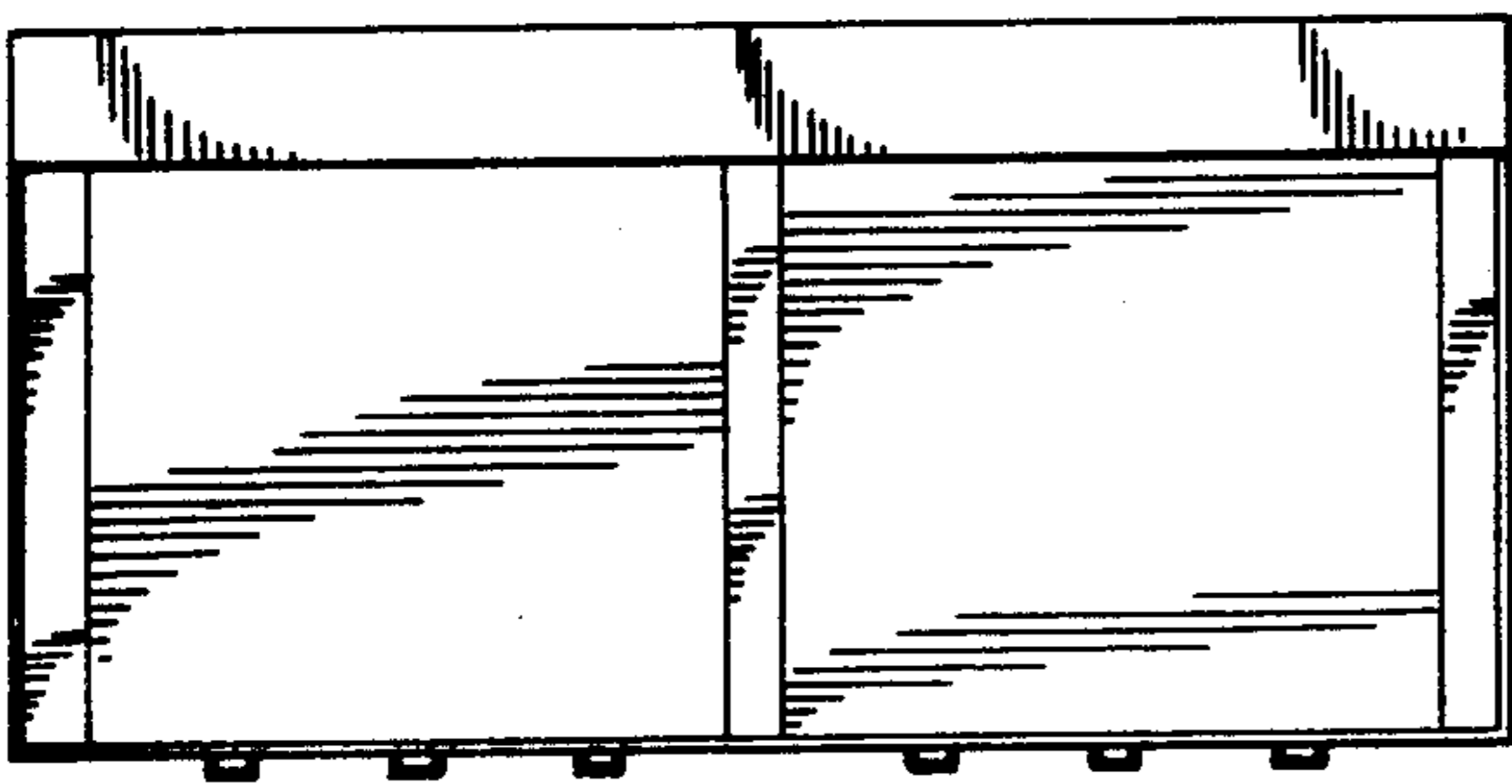


FIG. 4.

FIG. 5.

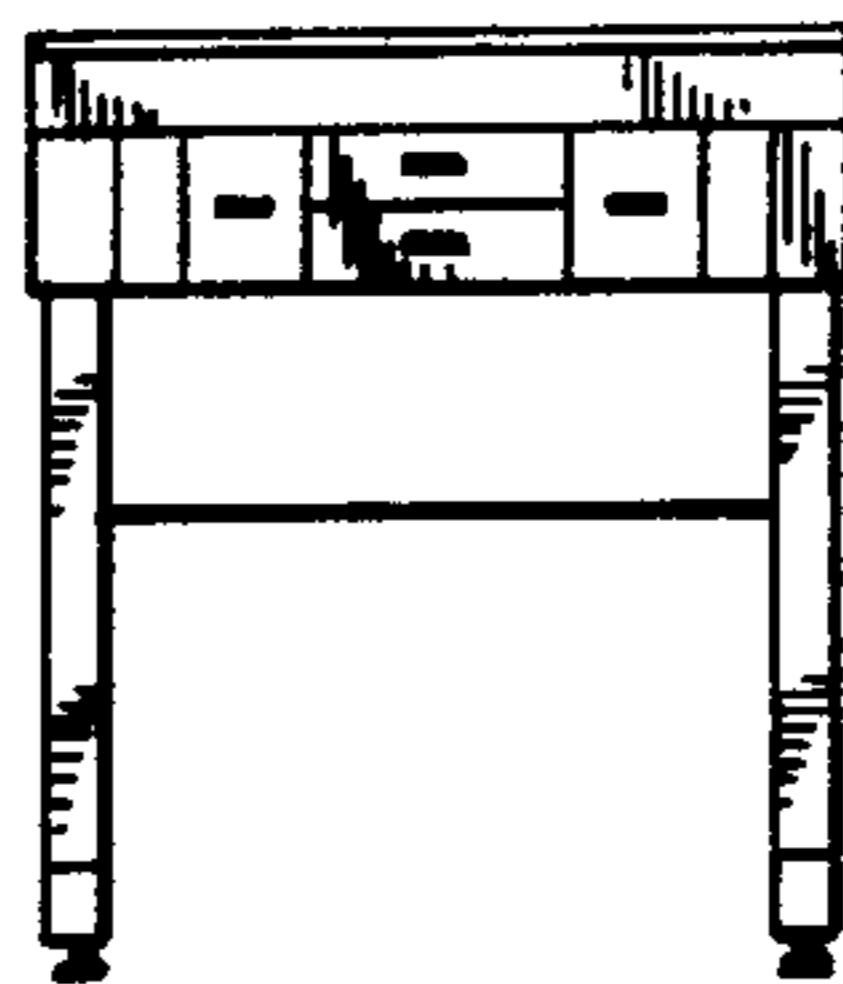


FIG. 6.

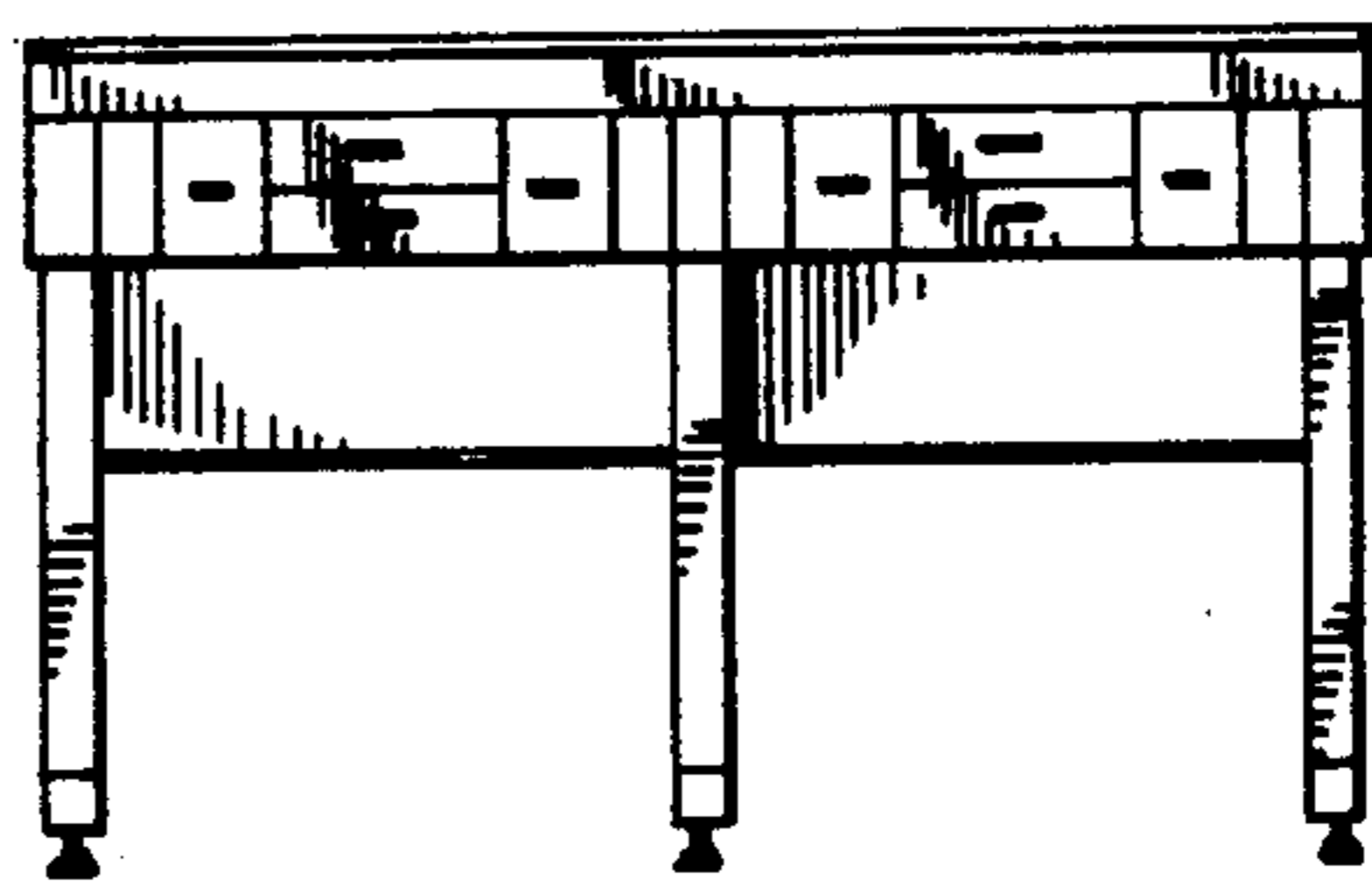


FIG. 7.

