

[54] SILK SCREEN PRINTER

[76] Inventor: William P. Rands, 12910 Venice Blvd., Los Angeles, Calif. 90066

[**] Term: 14 Years

[21] Appl. No.: 723,590

[22] Filed: Sep. 15, 1976

[51] Int. Cl. D18-02

[52] U.S. Cl. D18/14

[58] Field of Search D64/10.1, 11 R, 11 B; D16/28; 101/1, 2, 33, 123, 126-127.1, 129

[56] References Cited

U.S. PATENT DOCUMENTS

D. 231,574 4/1974 Landesman D64/11 B

OTHER PUBLICATIONS

Precision T-Shirt Screen Printing Machines Flyer, Manual Multi-Color Screen Printer.

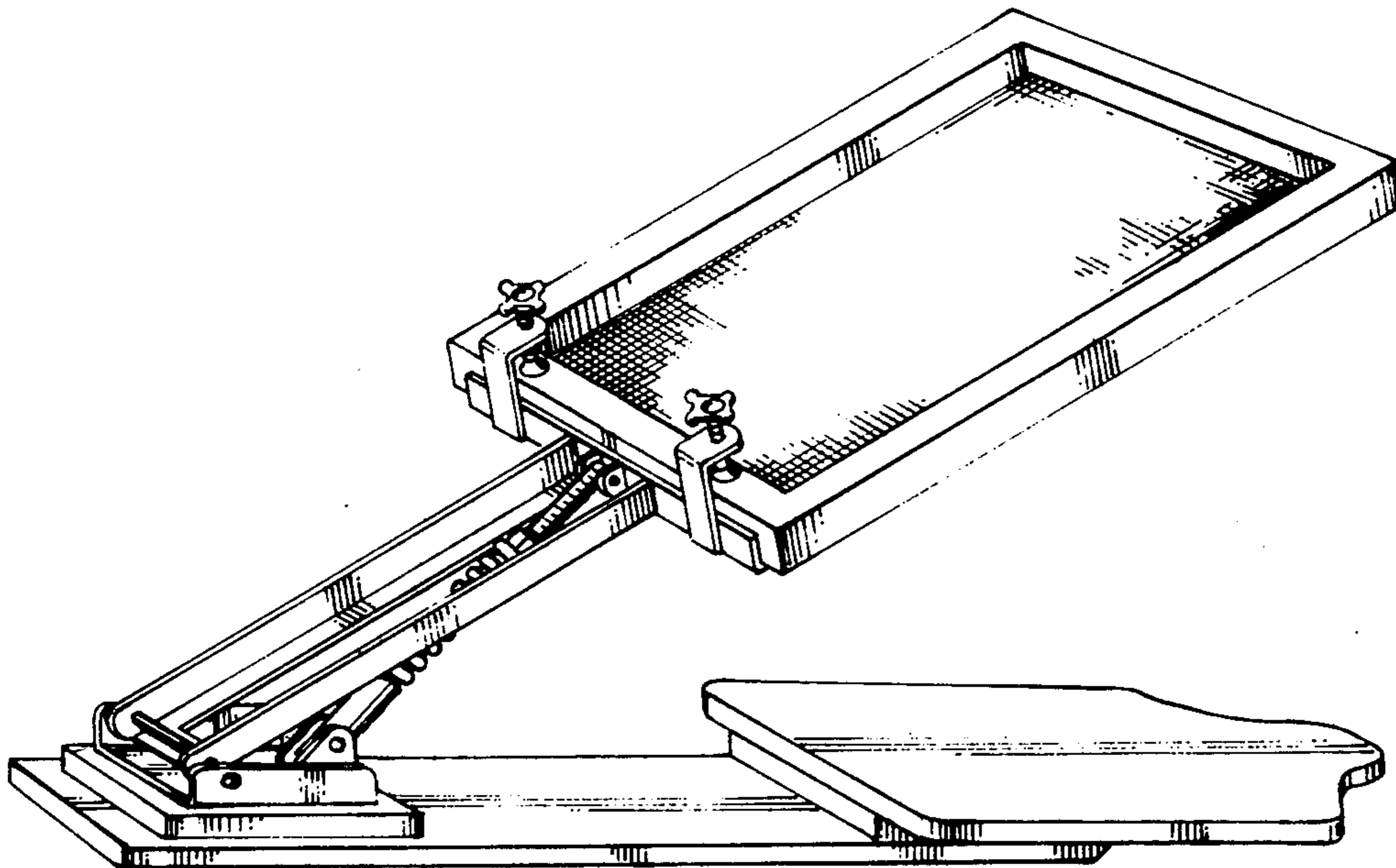
Primary Examiner—Louis S. Zarfes
Attorney, Agent, or Firm—Ronald W. Reagin

[57] CLAIM

The ornamental design for a silk screen printer, substantially as shown and described.

DESCRIPTION

FIG. 1 is a perspective view of a silk screen printer showing my new design in raised position; FIG. 2 is a right side elevational view thereof, and is a mirror image of the left side elevational view thereof; FIG. 3 is a right side elevational view in the lowered position, and is a mirror image of the left side elevational view in the lowered position; FIG. 4 is a top plan view thereof; FIG. 5 is a left end elevational view thereof; and FIG. 6 is a right end elevational view thereof.



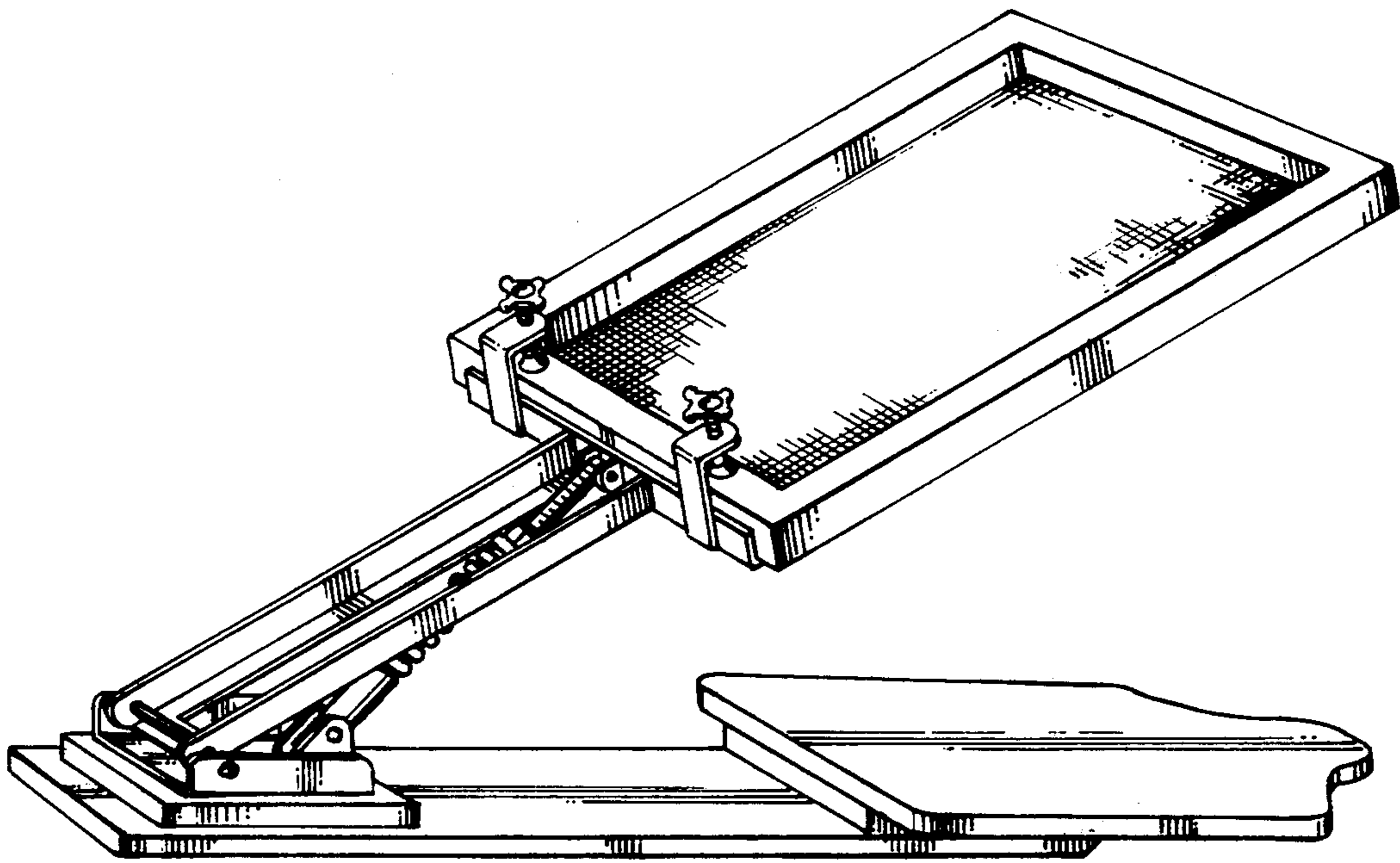


Fig. 1

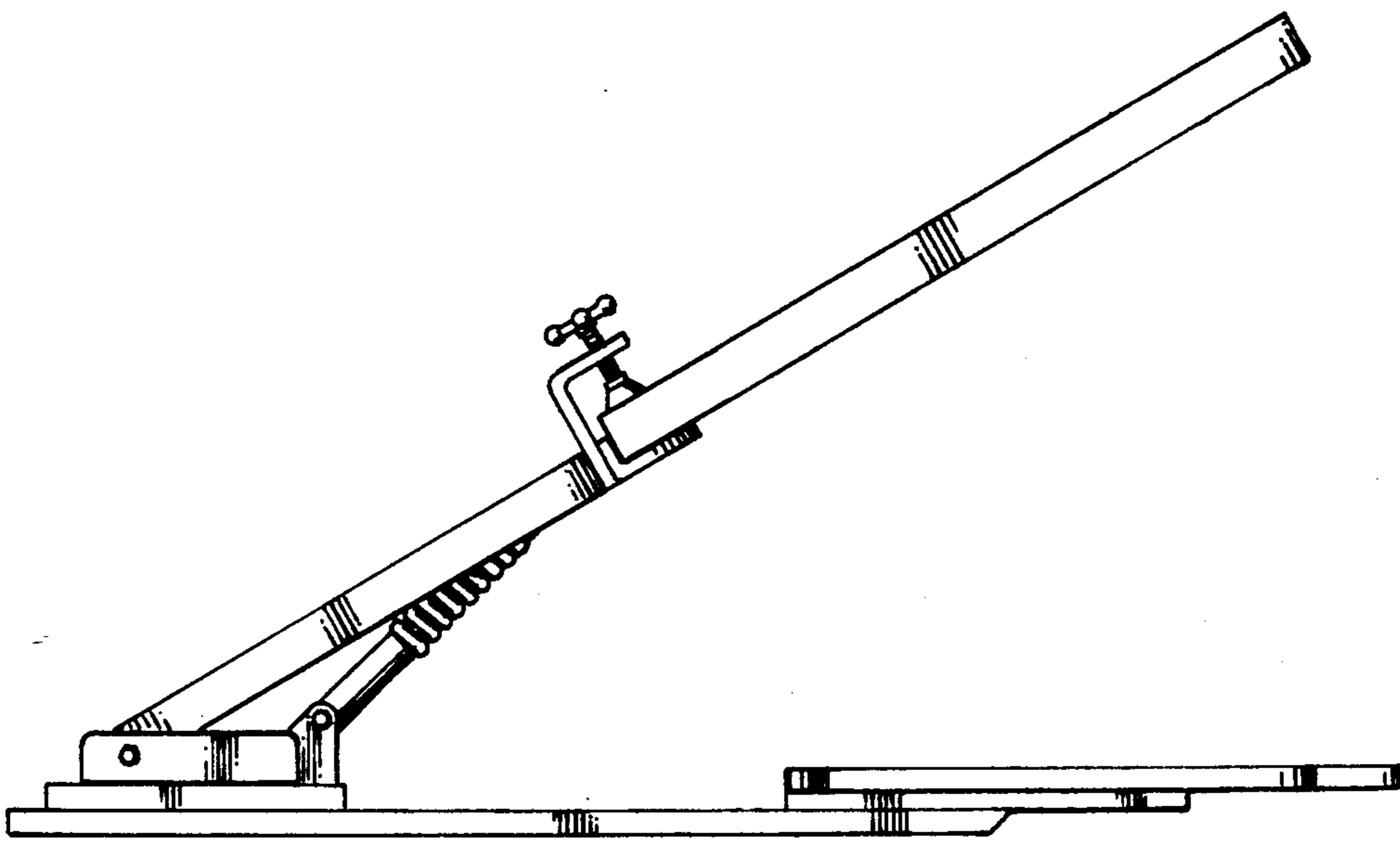


Fig. 2

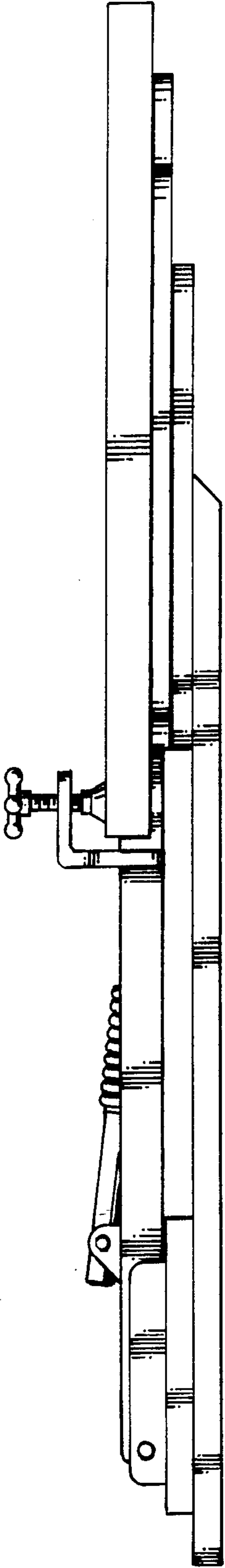


Fig. 3

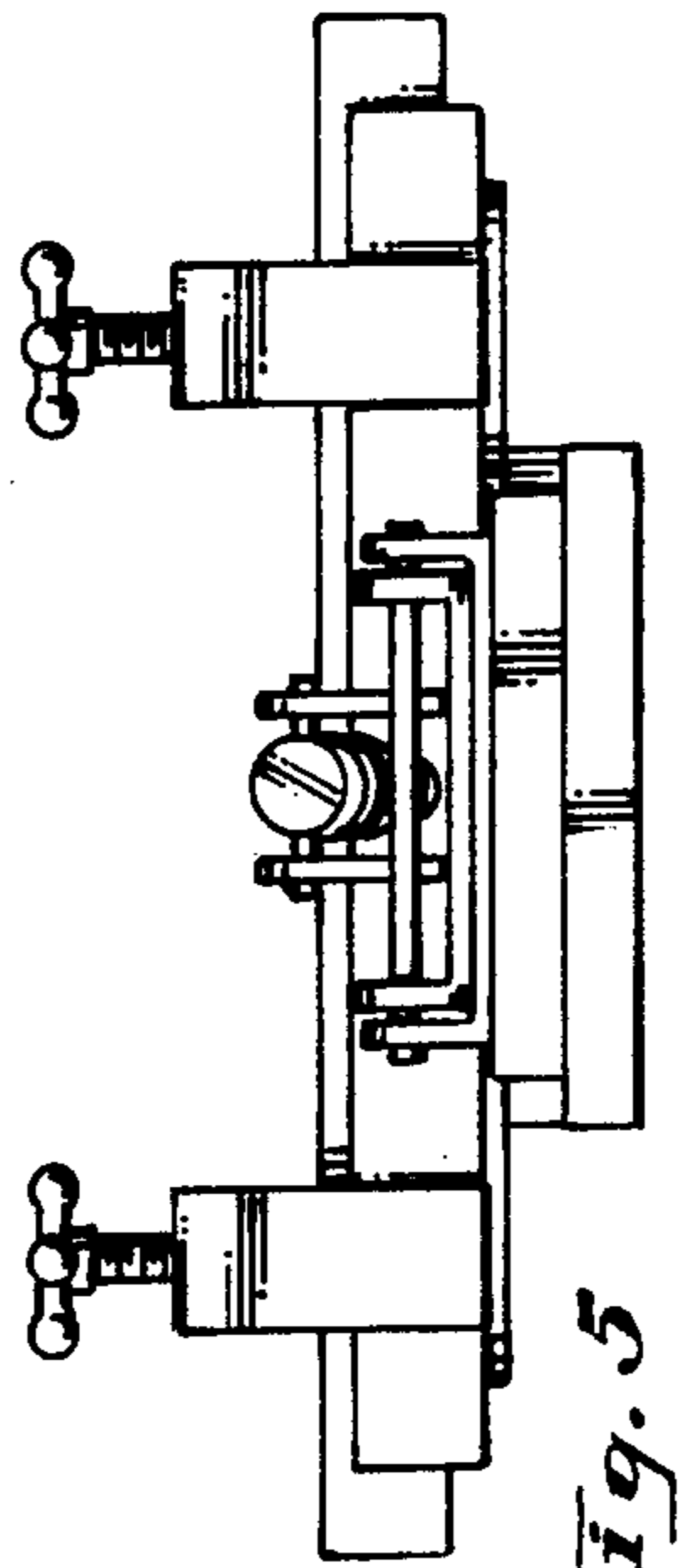


Fig. 5

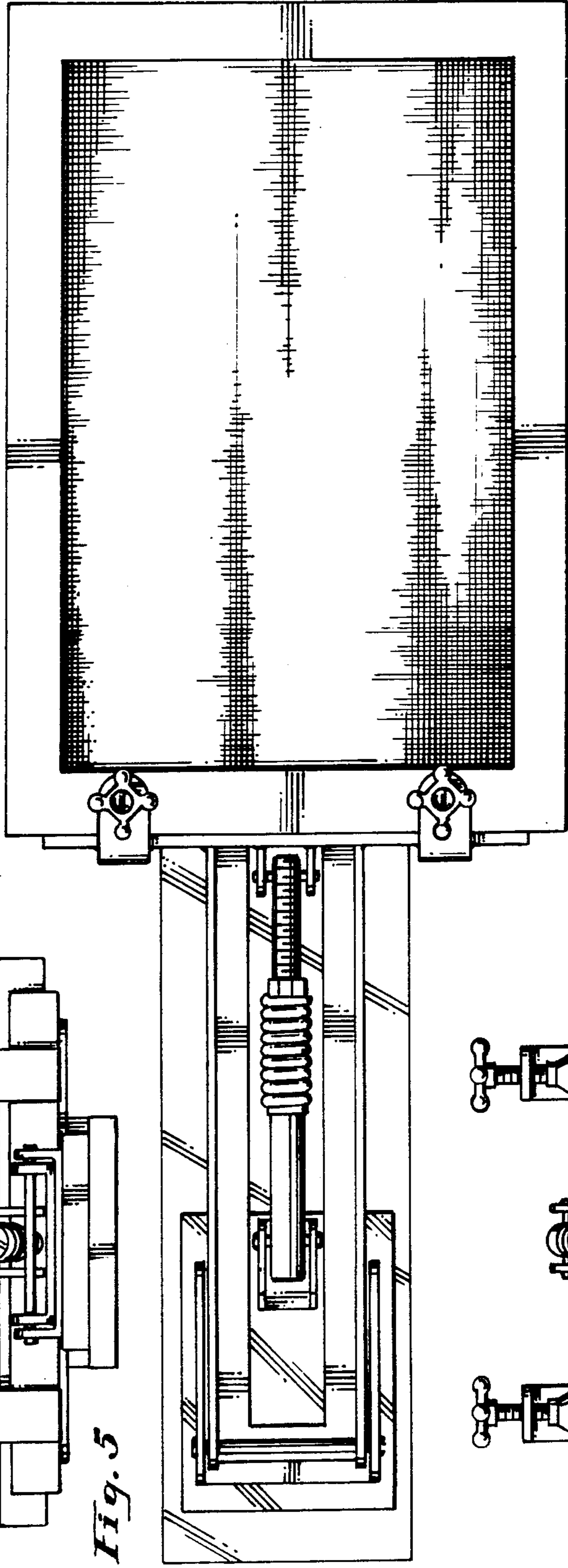


Fig. 4

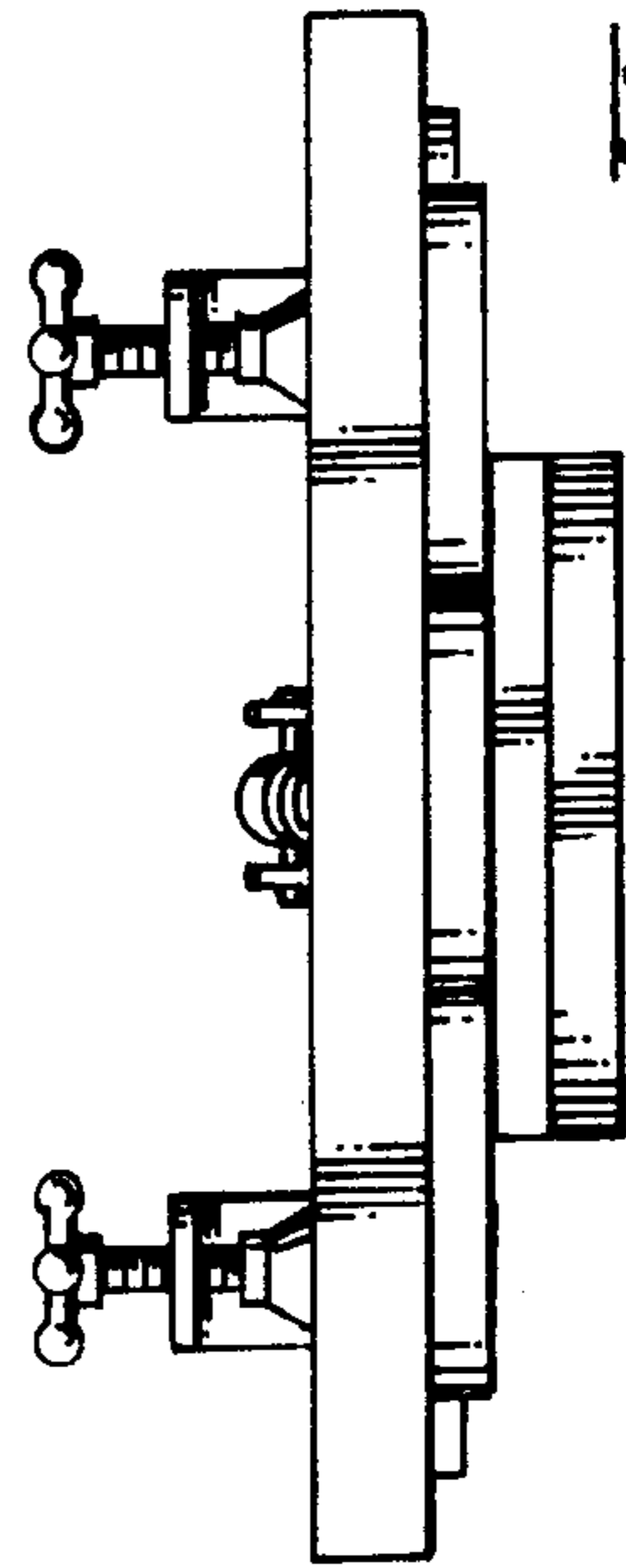


Fig. 6