

[54] CLOCK

[75] Inventor: Genji Usuda, Hachioji, Japan

[73] Assignee: Citizen Watch Co., Ltd., Tokyo, Japan

[**] Term: 3½ Years

[21] Appl. No.: 816,509

[22] Filed: Jul. 15, 1977

[30] Foreign Application Priority Data

Feb. 17, 1977 [JP] Japan 52-5100

[51] Int. Cl. D10-01

[52] U.S. Cl. D10/15; D14/73

[58] Field of Search D10/15, 21, 24-26, D10/38, 122-126; D14/73; 58/152 R, 23 R, 50 R, 50 A, 53-56

[56] References Cited

U.S. PATENT DOCUMENTS

D. 168,157 11/1952 Kaufman D10/6
D. 236,445 8/1975 Danz D14/73 X
D. 240,656 7/1976 Imai D14/73

OTHER PUBLICATIONS

Jeweler's Circular-Keystone 7/78 p. 152 clock at lower left.

Primary Examiner—Nelson C. Holtje
Attorney, Agent, or Firm—Eric H. Waters

[57] CLAIM

The ornamental design for a clock, as shown and described.

DESCRIPTION

FIG. 1 is a front, top and right side perspective view of a clock showing my new design, FIG. 2 is a rear perspective view thereof, and FIG. 3 is a rear perspective view thereof showing the stand opened to standing position. Left side is identical with right side.

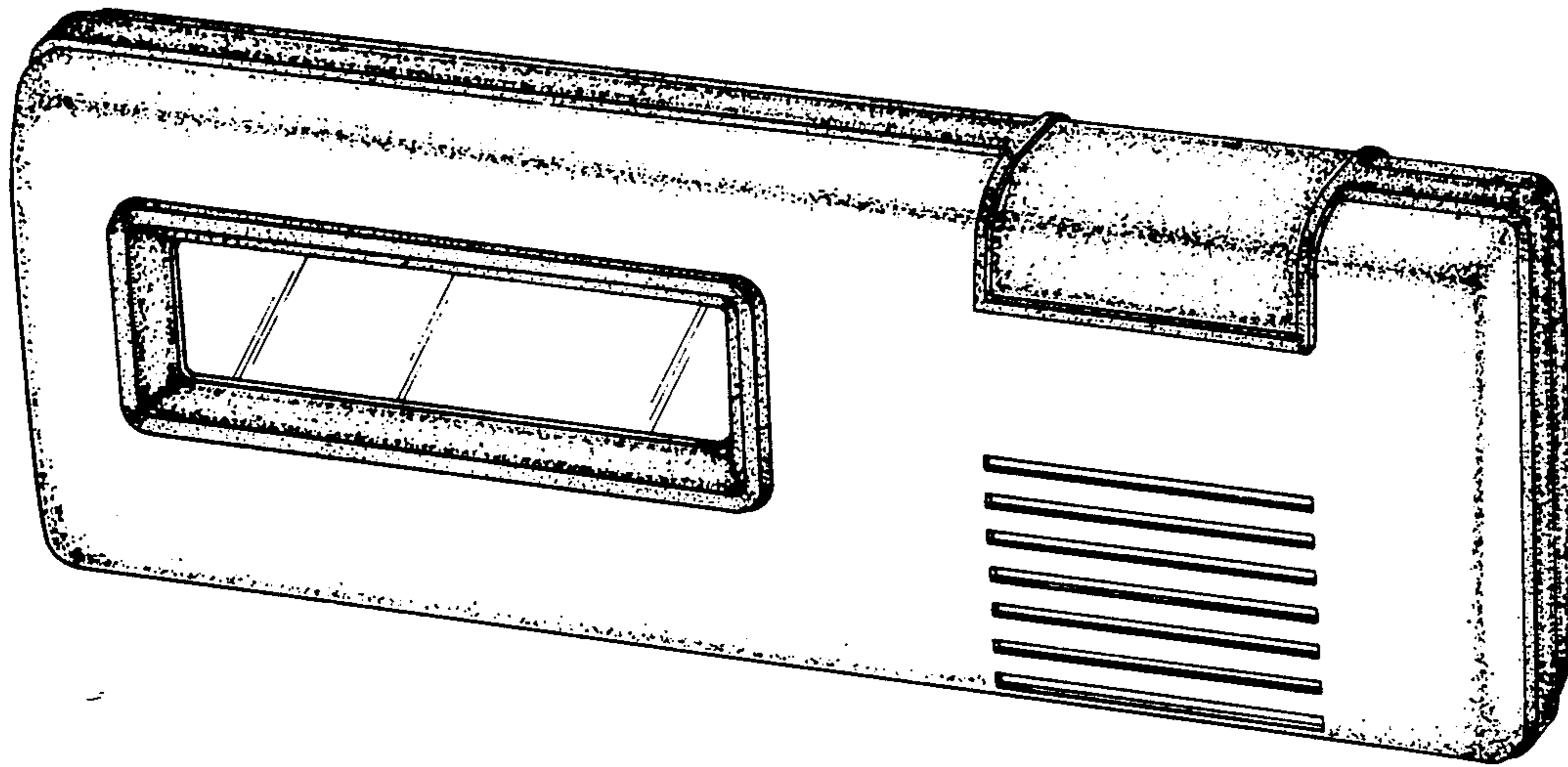


FIG. 1

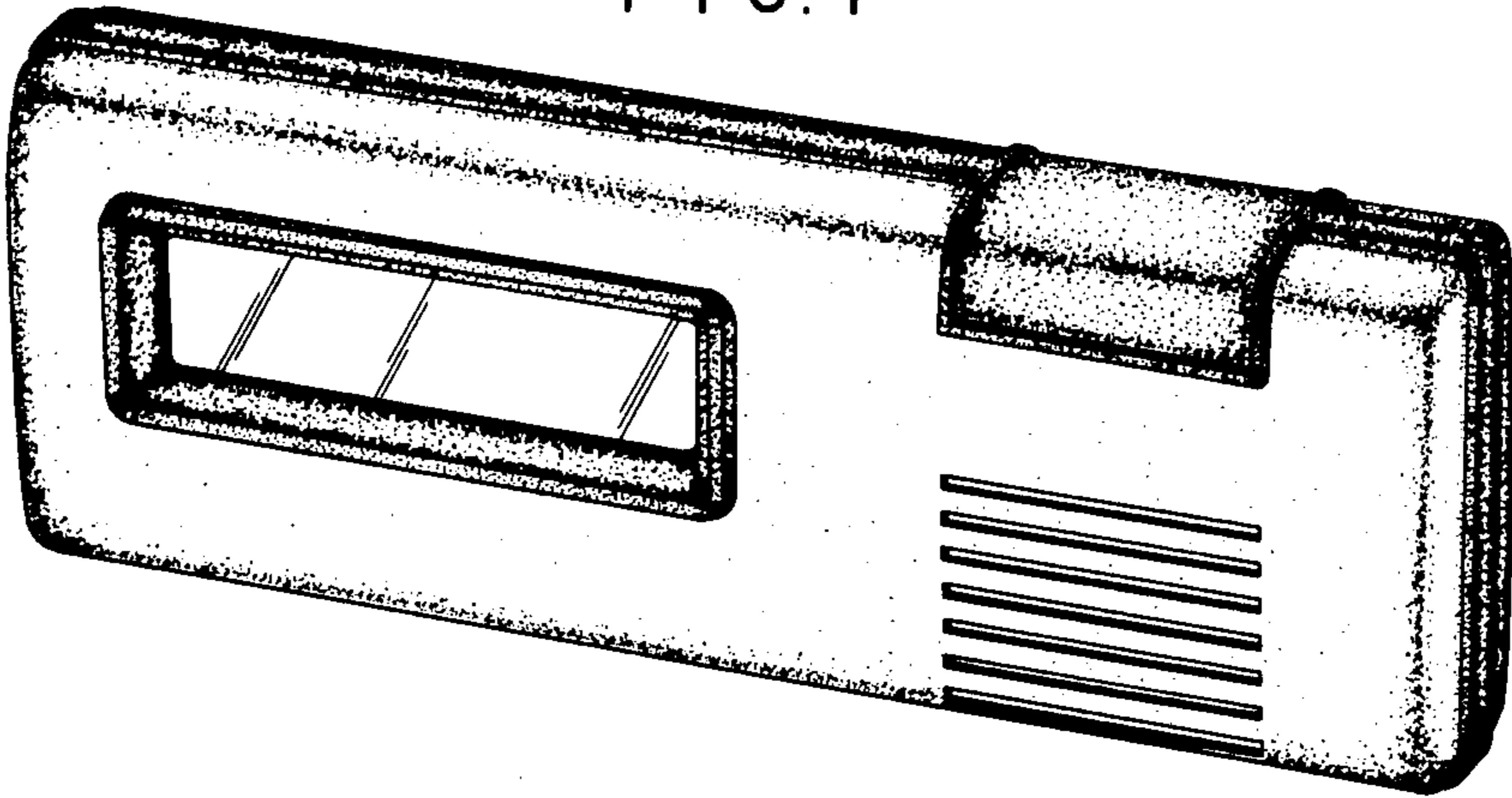


FIG. 2

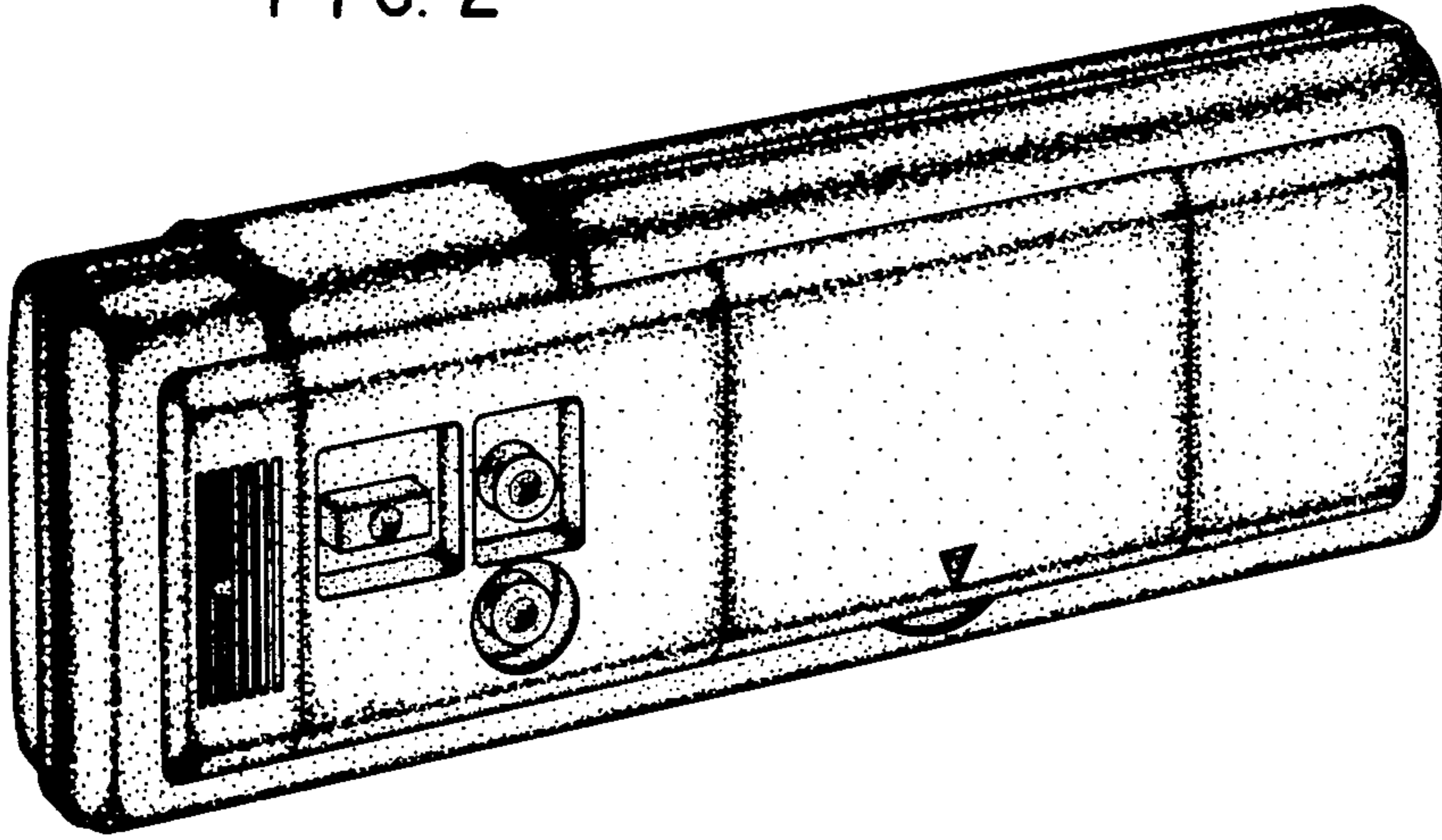


FIG. 3

