

[54] DRAPERY TRACK

[76] Inventor: Ellis I. Toder, 341 Militia Hill Rd., Fort Washington, Pa. 19034

[**] Term: 14 Years

[21] Appl. No.: 812,502

[22] Filed: Jul. 5, 1977

[51] Int. Cl. D8-09

[52] U.S. Cl. D8/377; D25/74

[58] Field of Search D25/74, 75; D8/377, D8/376; 16/87 R, 93 D, 94 R, 94 D, 96 R, 96 D; 256/13.7

[56] References Cited

U.S. PATENT DOCUMENTS

D. 177,034 3/1956 Fridolph D8/377
2,727,272 12/1955 Hankin et al. 16/93 D

OTHER PUBLICATIONS

Sweets Architectural Catalog File, 1976, Section 12.10/06, p. 3, Track Series 47-4000.

Primary Examiner—A. Hugo Word
Attorney, Agent, or Firm—Walter B. Udell

[57] CLAIM

The ornamental design for a drapery track, as shown.

DESCRIPTION

FIG. 1 is an isometric view of my new design for drapery track;

FIG. 2 is an end view as would be seen when viewed from one end of my new design of drapery track;

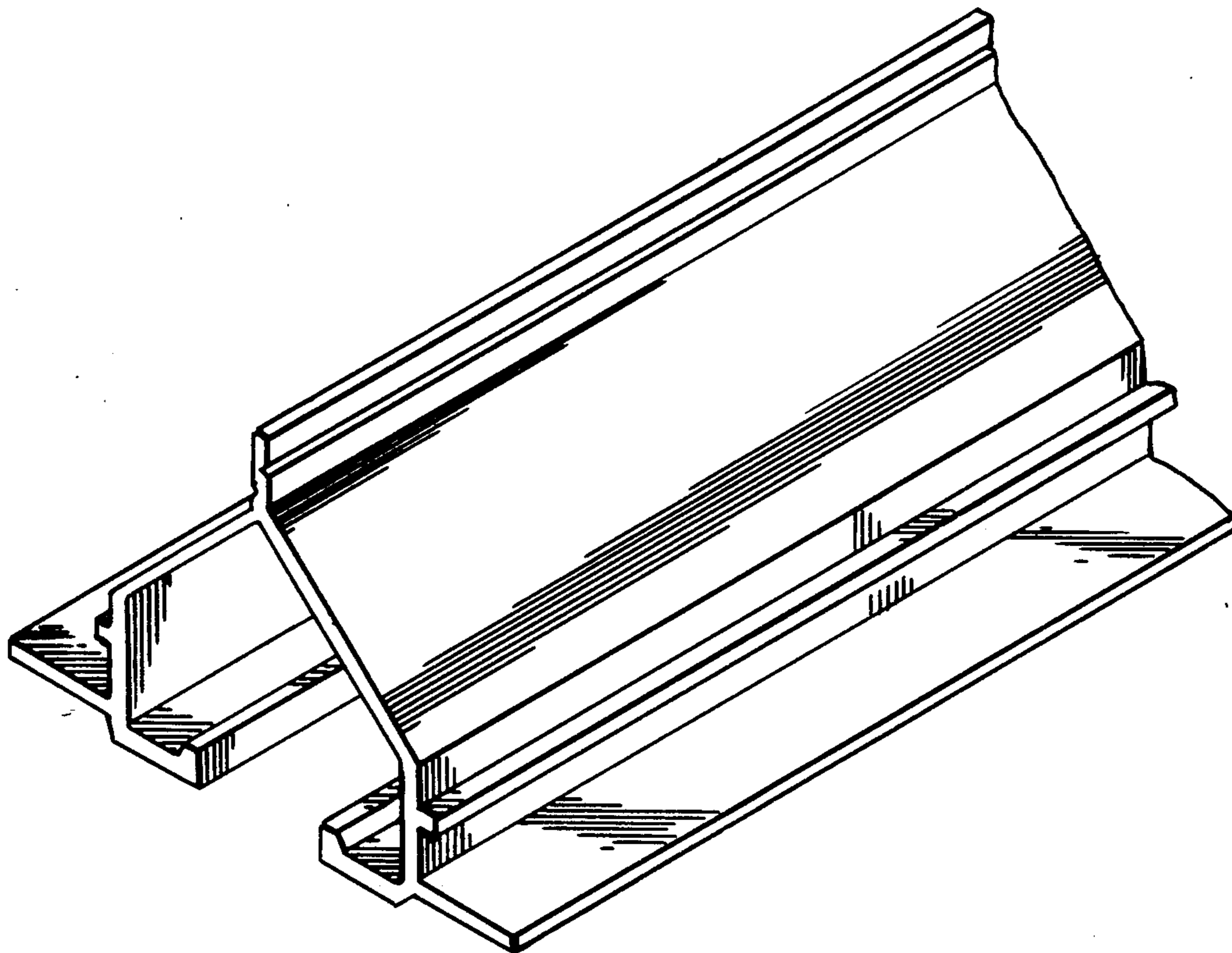
FIG. 3 is an end view as would be seen when viewed from the opposite end of my new design of drapery track;

FIG. 4 is a top plan view of my new design for drapery track;

FIG. 5 is a bottom plan view of my new design for drapery track;

FIG. 6 is a side view as would be seen when viewed from one side of my new design for drapery track; and

FIG. 7 is a side view as would be seen when viewed from the opposite side of my new design of drapery track.



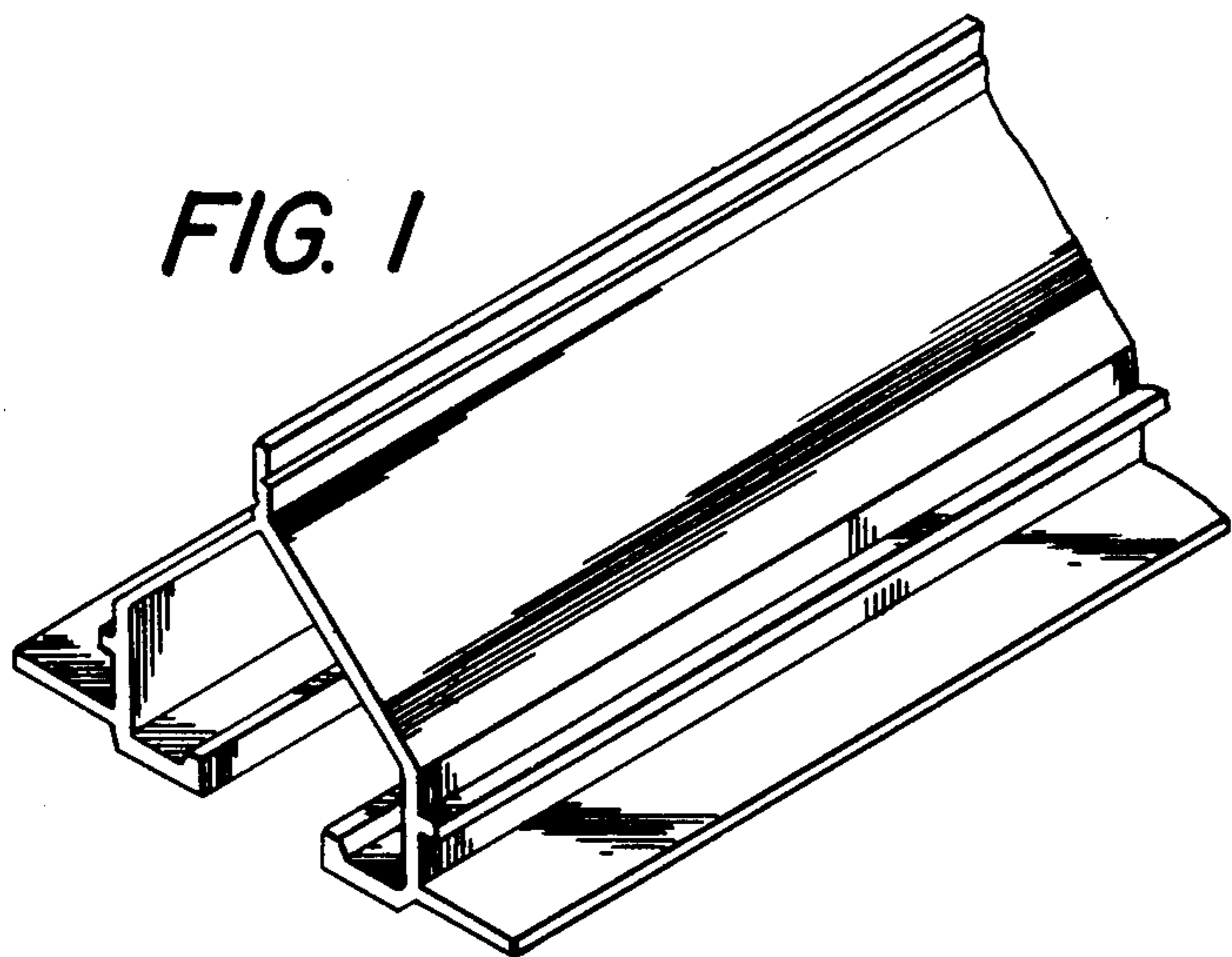


FIG. 1

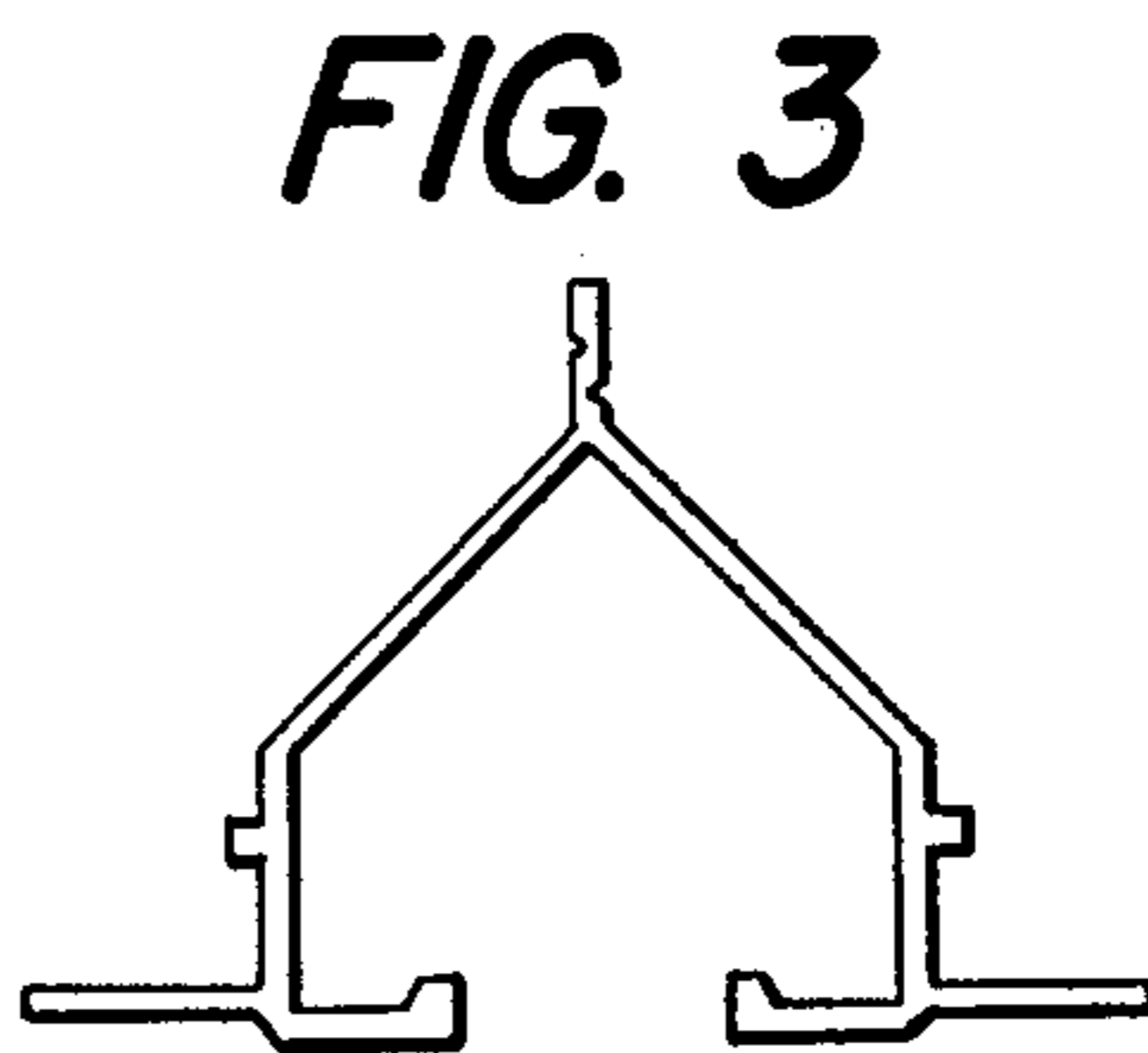


FIG. 3

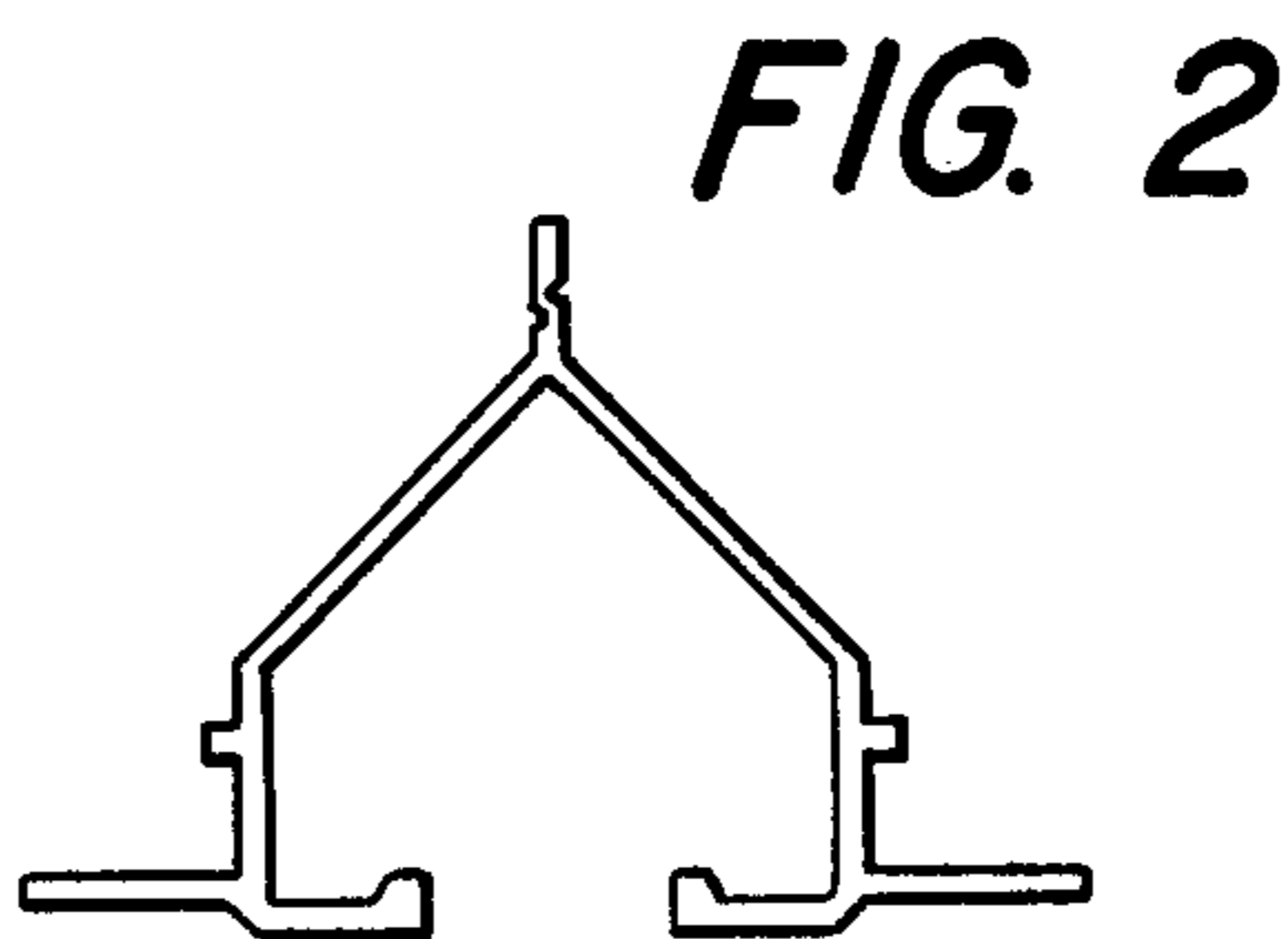


FIG. 2

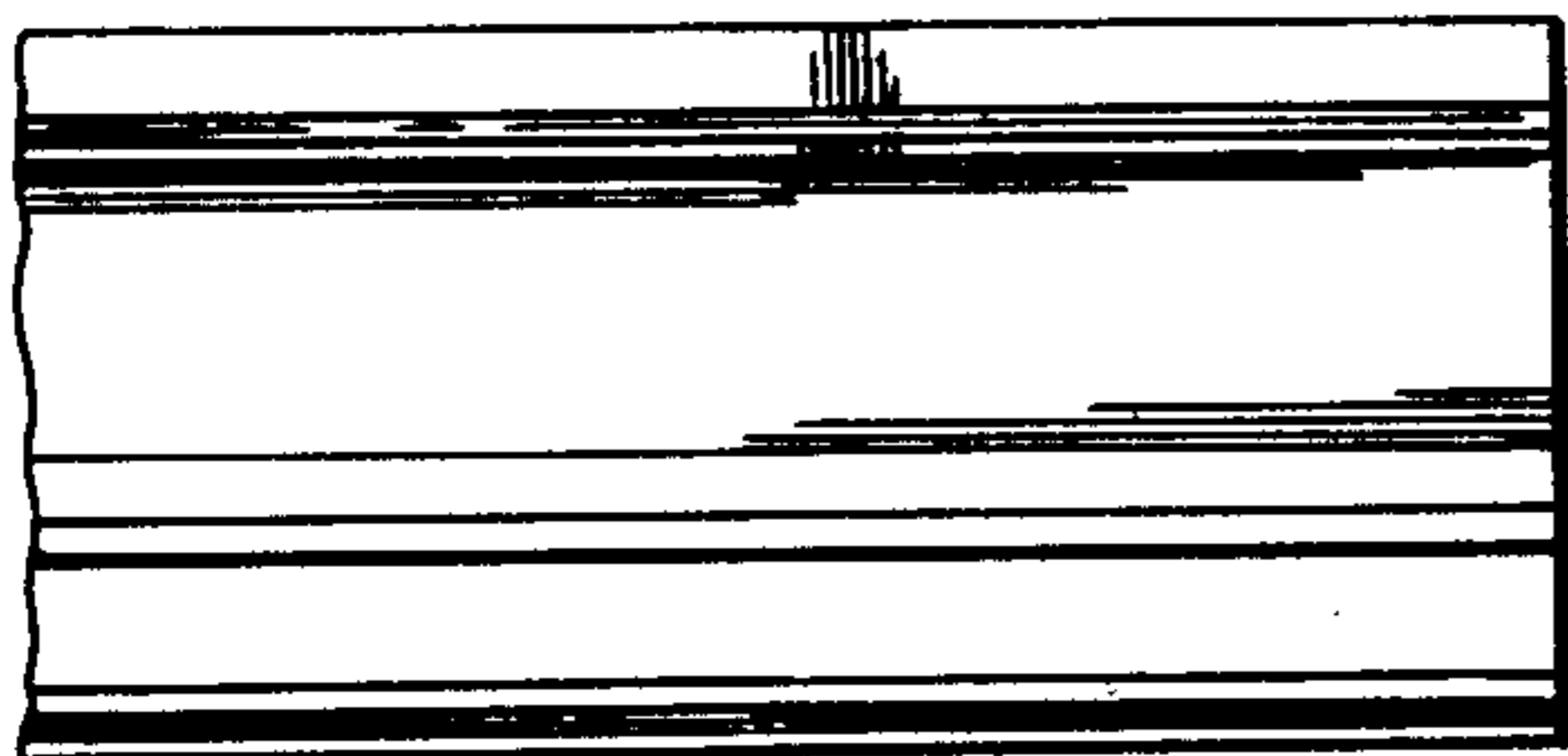


FIG. 6

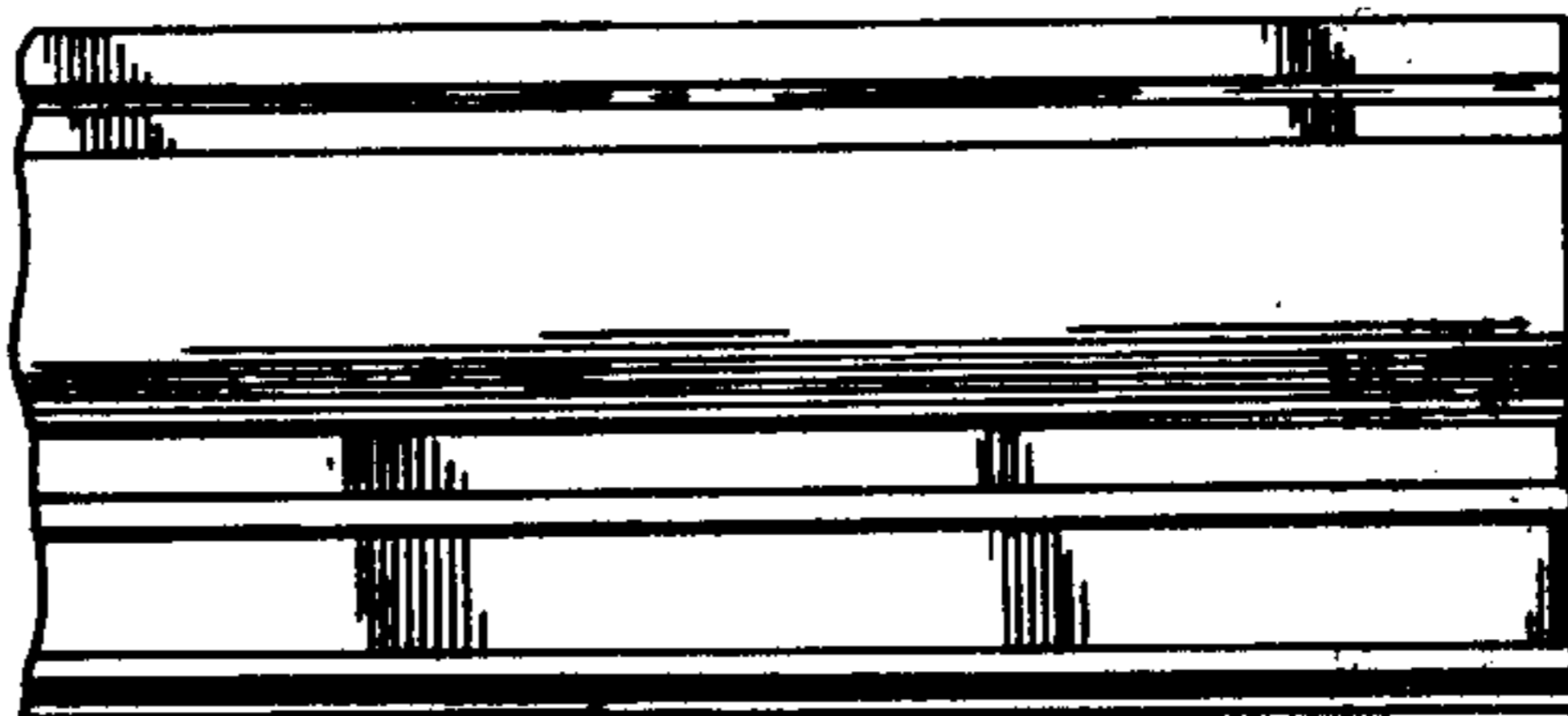


FIG. 7

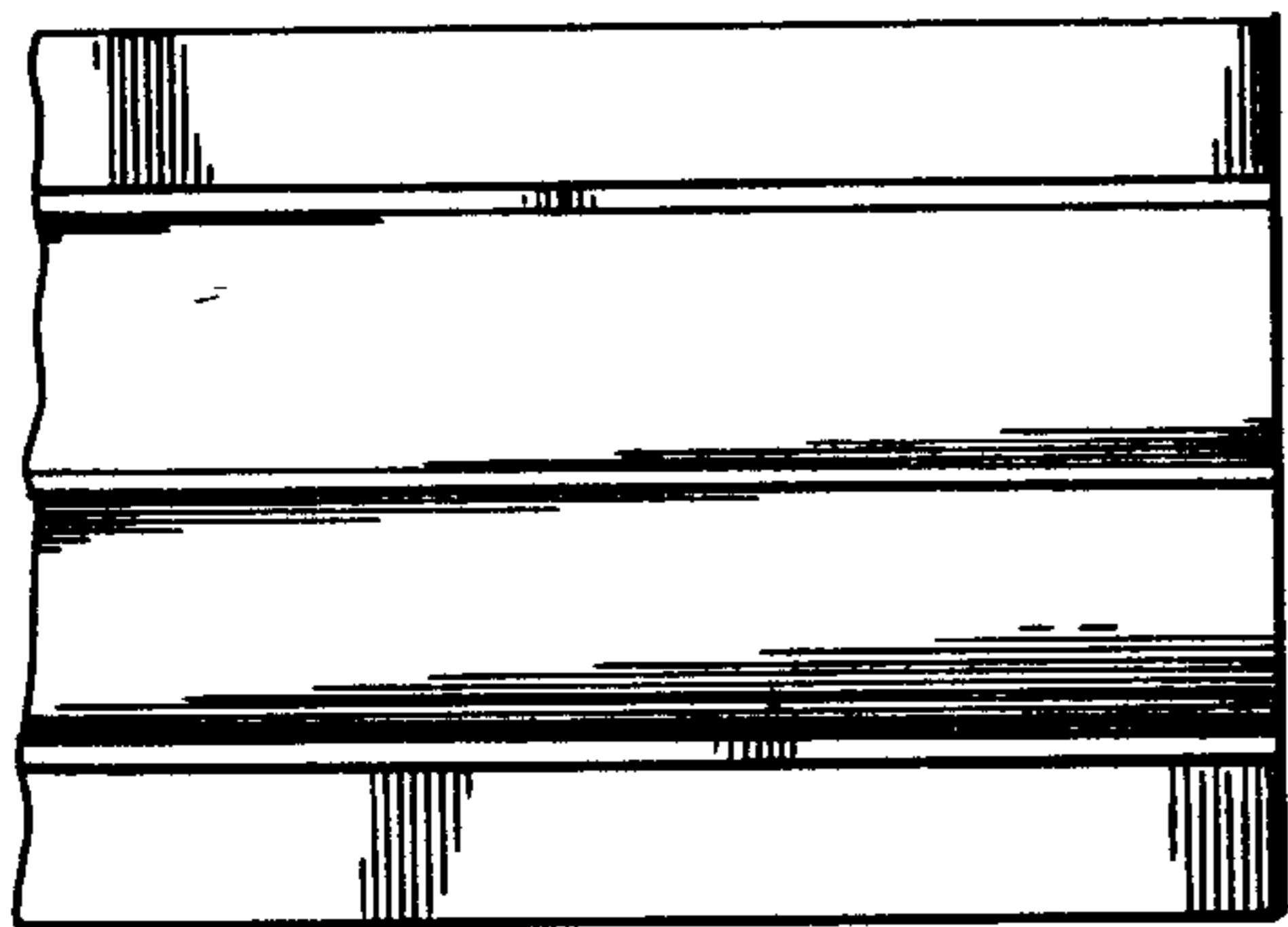


FIG. 4

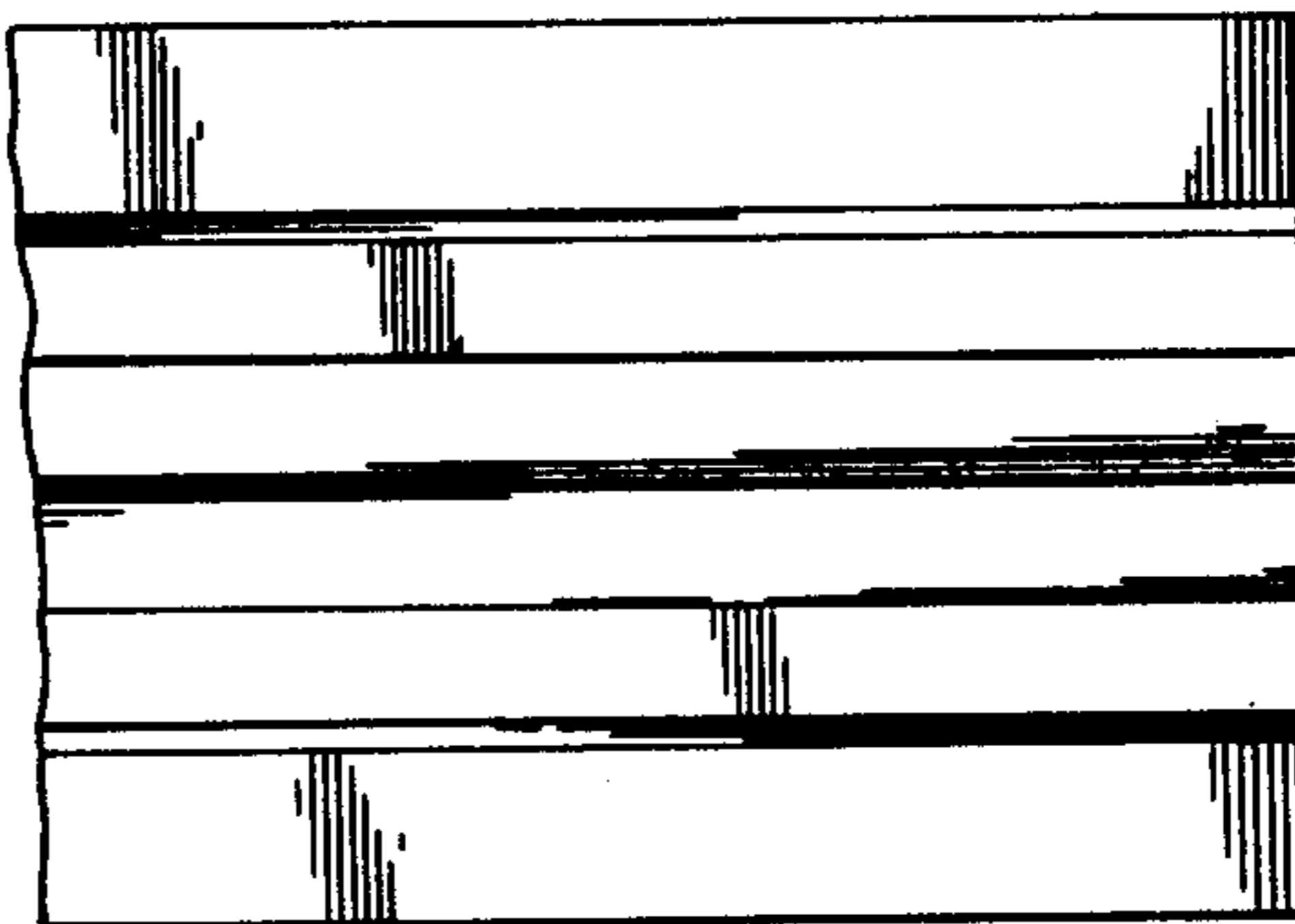


FIG. 5