

[54] GOLF CLUB HEAD

[76] Inventor: John P. Henrick, 96 Ambleside Dr.,
Brampton, Ontario, Canada, L6Y
1B9

[**] Term: 14 Years

[21] Appl. No.: 831,627

[22] Filed: Sep. 8, 1977

[30] Foreign Application Priority Data

Aug. 25, 1977 [CA] Canada 2508771

[51] Int. Cl. D21-02

[52] U.S. Cl. D21/219

[58] Field of Search D34/5 GH, 5 GC;
273/167-175, 163

[56] References Cited

U.S. PATENT DOCUMENTS

D. 200,419 2/1965 Phillips D34/5 GH
D. 235,893 7/1975 Becker D34/5 GH

OTHER PUBLICATIONS

Golf World, Jan. 24, 1975, p. 40, putter at extreme
upper left.

Primary Examiner—Melvin B. Feifer
Attorney, Agent, or Firm—Robert B. Murray

[57] CLAIM

The ornamental design for a golf club head, as shown.

DESCRIPTION

FIG. 1 is a front elevation of a golf club head showing
my new design.

FIG. 2 is a rear elevation thereof;

FIG. 3 is a plan view thereof; and

FIG. 4 is an elevation from the heel thereof.

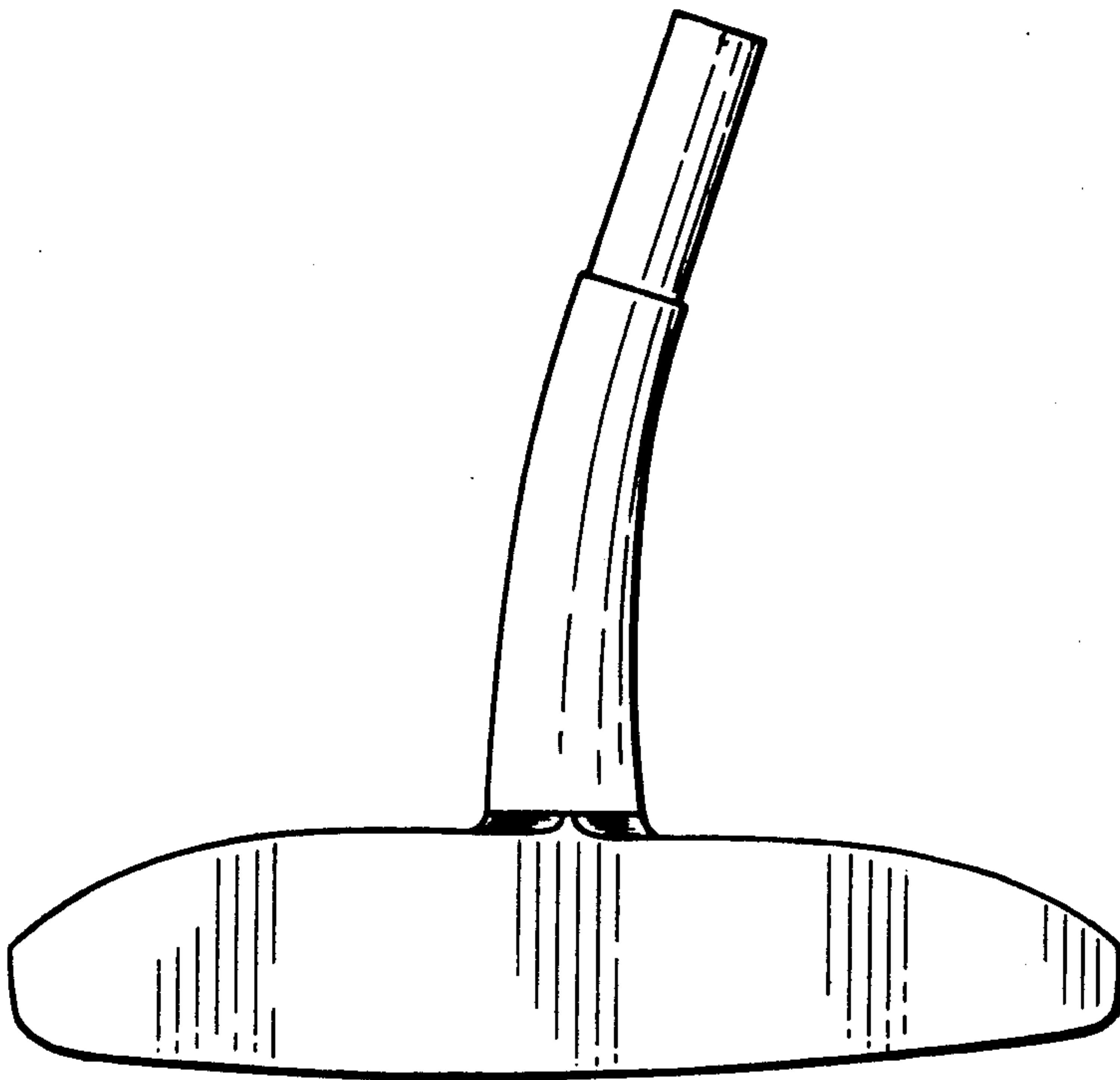


FIG.1.

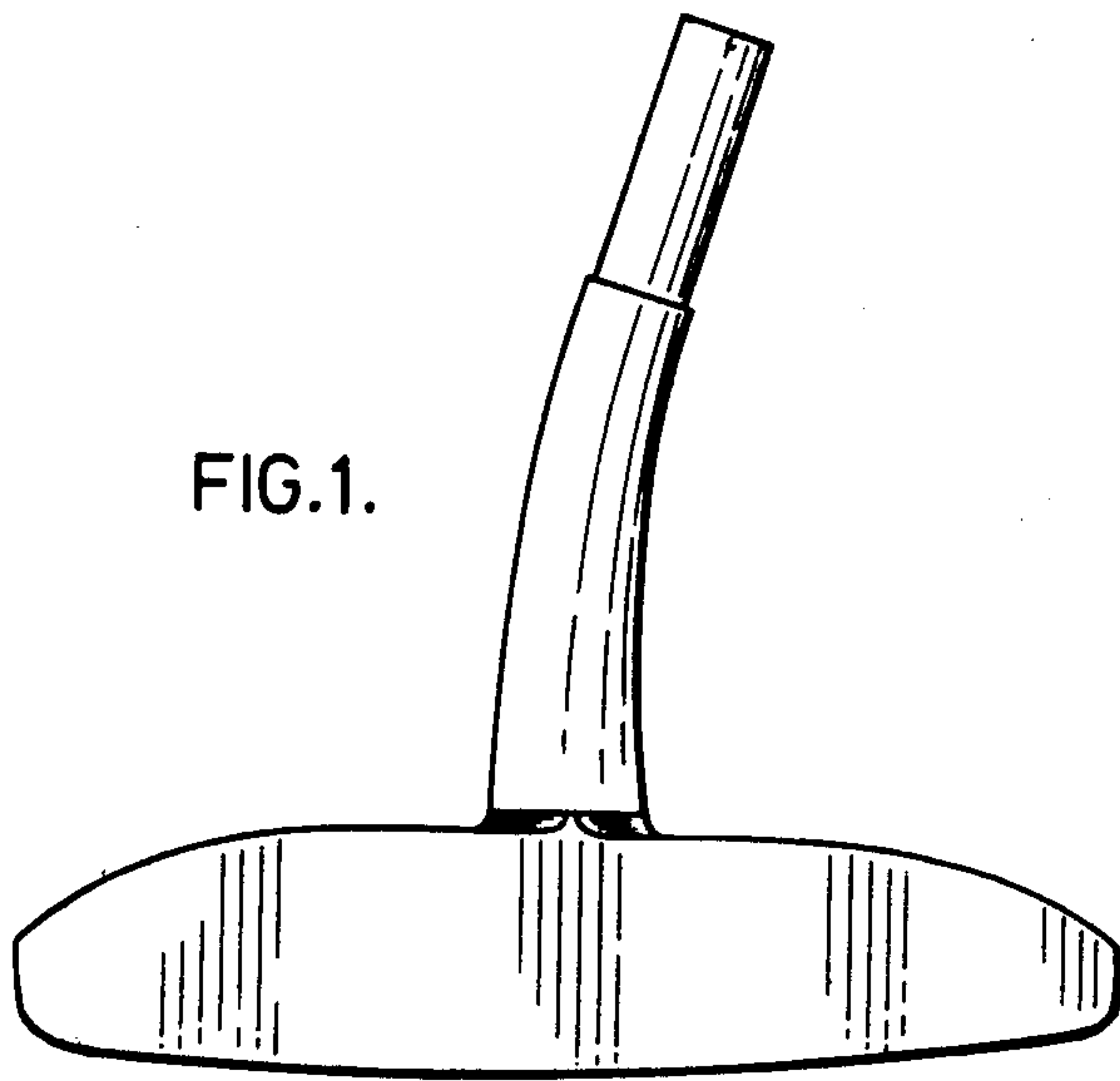


FIG.3.

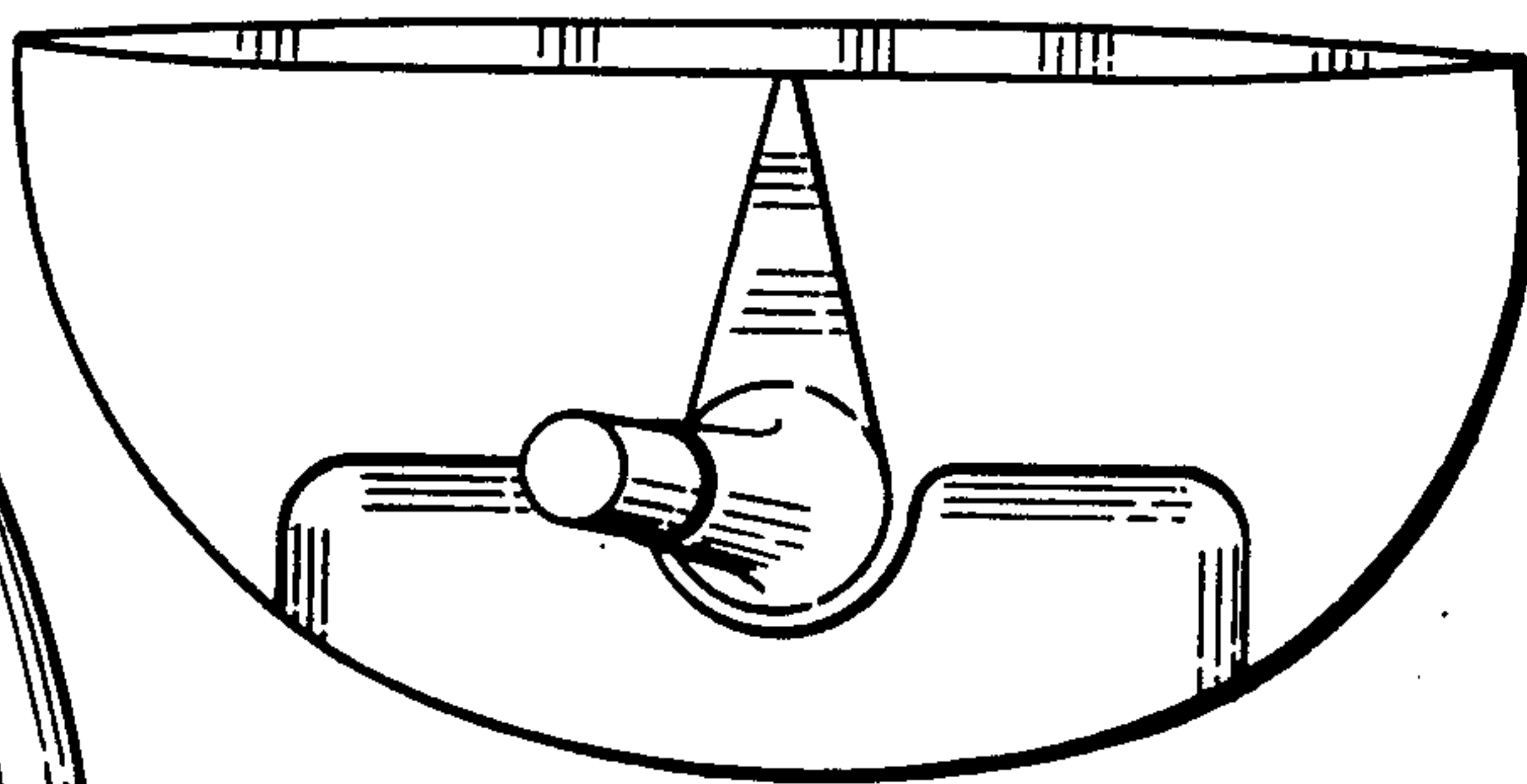


FIG.2.

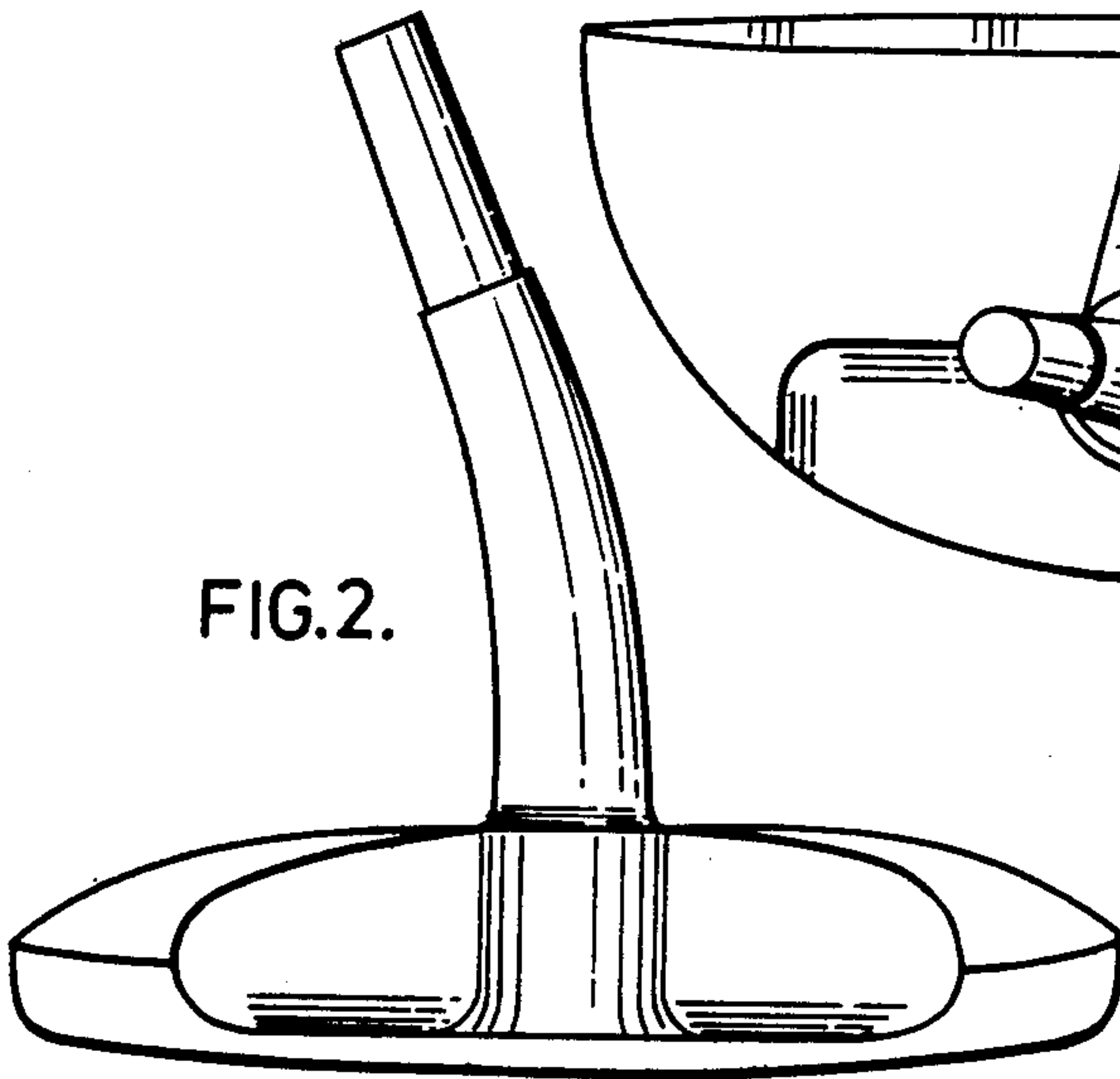


FIG.4.

