

[54] BILLARD TABLE OR THE LIKE

[76] Inventor: John P. Van Koert, 190 E. 72nd St., New York, N.Y. 10023

[**] Term: 14 Years

[21] Appl. No.: 835,991

[22] Filed: Sep. 23, 1977

[51] Int. Cl. D21-01

[52] U.S. Cl. D21/232; D6/177

[58] Field of Search D34/3; 273/3 R, 3 C; D6/177

[56] References Cited

U.S. PATENT DOCUMENTS

D. 42,465 5/1912 Hine D34/3
385,346 7/1888 Flint 273/3 R

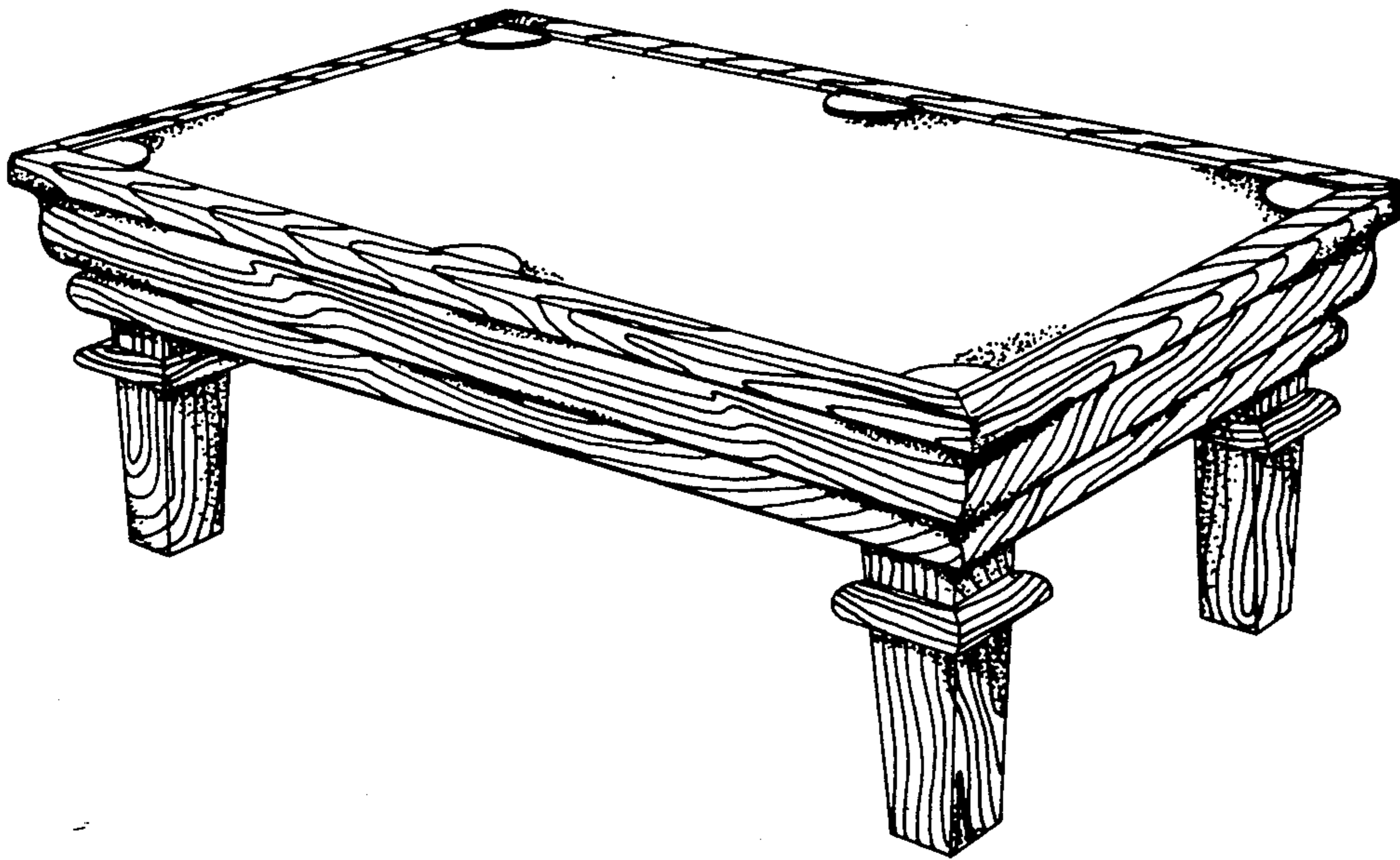
Primary Examiner—Melvin B. Feifer
Attorney, Agent, or Firm—John G. Mills, III

[57] CLAIM

The ornamental design for a billard table or the like, as shown and described.

DESCRIPTION

The FIGURE is a perspective view of the billard table or the like showing my new design, the opposite perspective view being substantially a mirror image of that shown.



U.S. Patent

Aug. 28, 1979

Des. 252,770

