

[54] FAN FOR ANTI-DUST HELMET

[76] Inventors: **Raymond Odell**, 184 Mutton La., Potters Bar, Herts; **Brian A. Lowe**, 6 Beaumont View, Appleby St., Cheshunt, Herts, both of England

[\*\*] Term: **14 Years**

[21] Appl. No.: **757,609**

[22] Filed: **Jan. 7, 1977**

[30] Foreign Application Priority Data

Aug. 18, 1976 [ZA] South Africa ..... 976848

[51] Int. Cl. .... **D23-04**

[52] U.S. Cl. .... **D23/155; D29/99**

[58] Field of Search ..... **D23/139-167; 128/142.7; D29/7, 8, 9, 10, 99**

[56]

References Cited

U.S. PATENT DOCUMENTS

D. 214,376	6/1969	Sullivan .....	D23/151
D. 231,615	5/1974	Nygaard et al. ....	D23/151
3,649,964	3/1972	Schoolz et al. ....	128/142.7 X
3,963,021	6/1976	Bancroft .....	128/142.7 X

Primary Examiner—James R. Largen  
Attorney, Agent, or Firm—Lawrence E. Laubscher

[57]

CLAIM

The ornamental design for a fan for anti-dust helmet, as shown.

DESCRIPTION

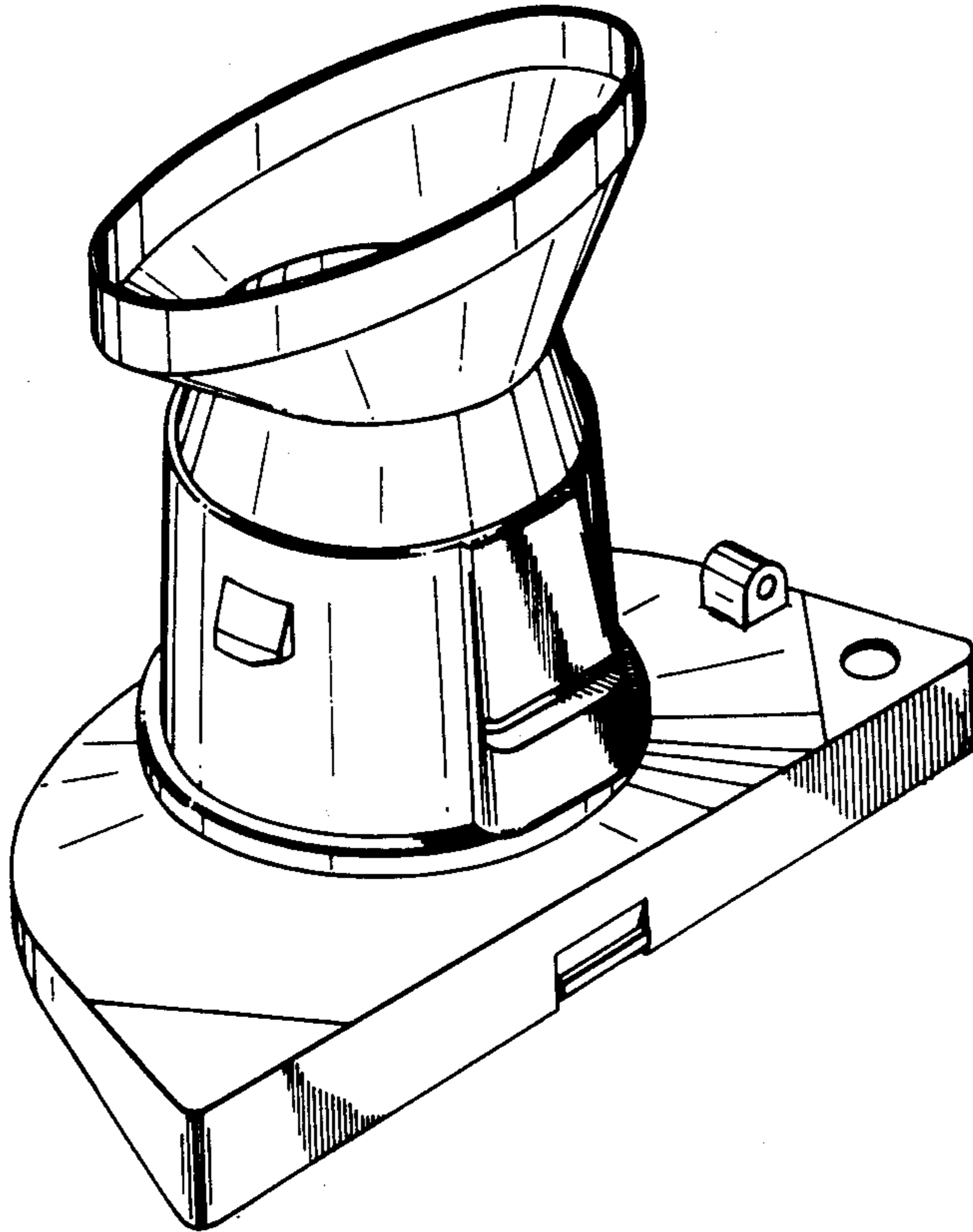
FIG. 1 is a perspective view taken from the top, front, and one side of a fan for an anti-dust helmet showing our new design;

FIG. 2 is a perspective view taken from the bottom, rear, and side opposite that in FIG. 1;

FIG. 3 is an elevational view taken from the side shown in FIG. 1;

FIG. 4 is a bottom plan view thereof; and

FIG. 5 is a top plan view thereof.



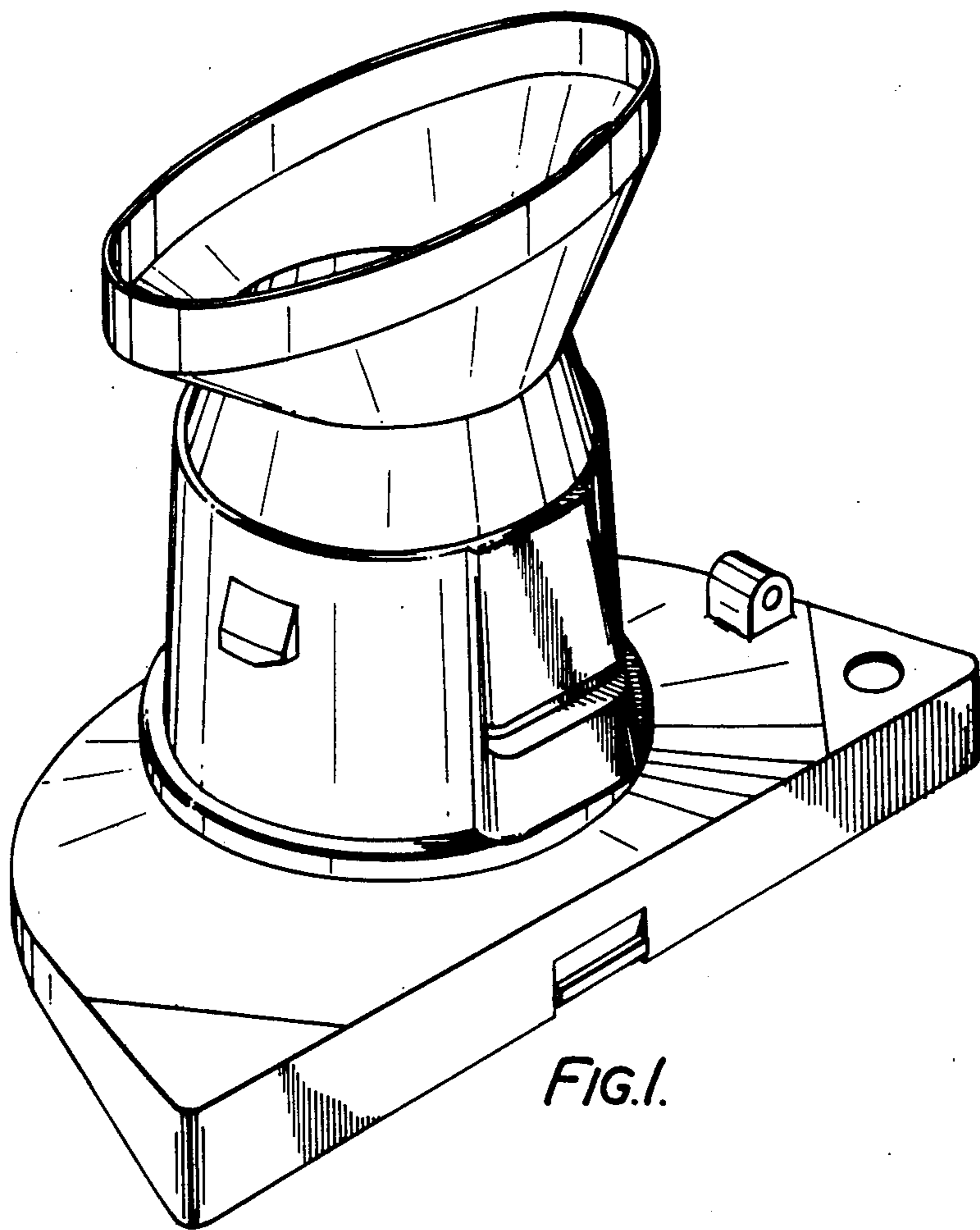


FIG. 1.

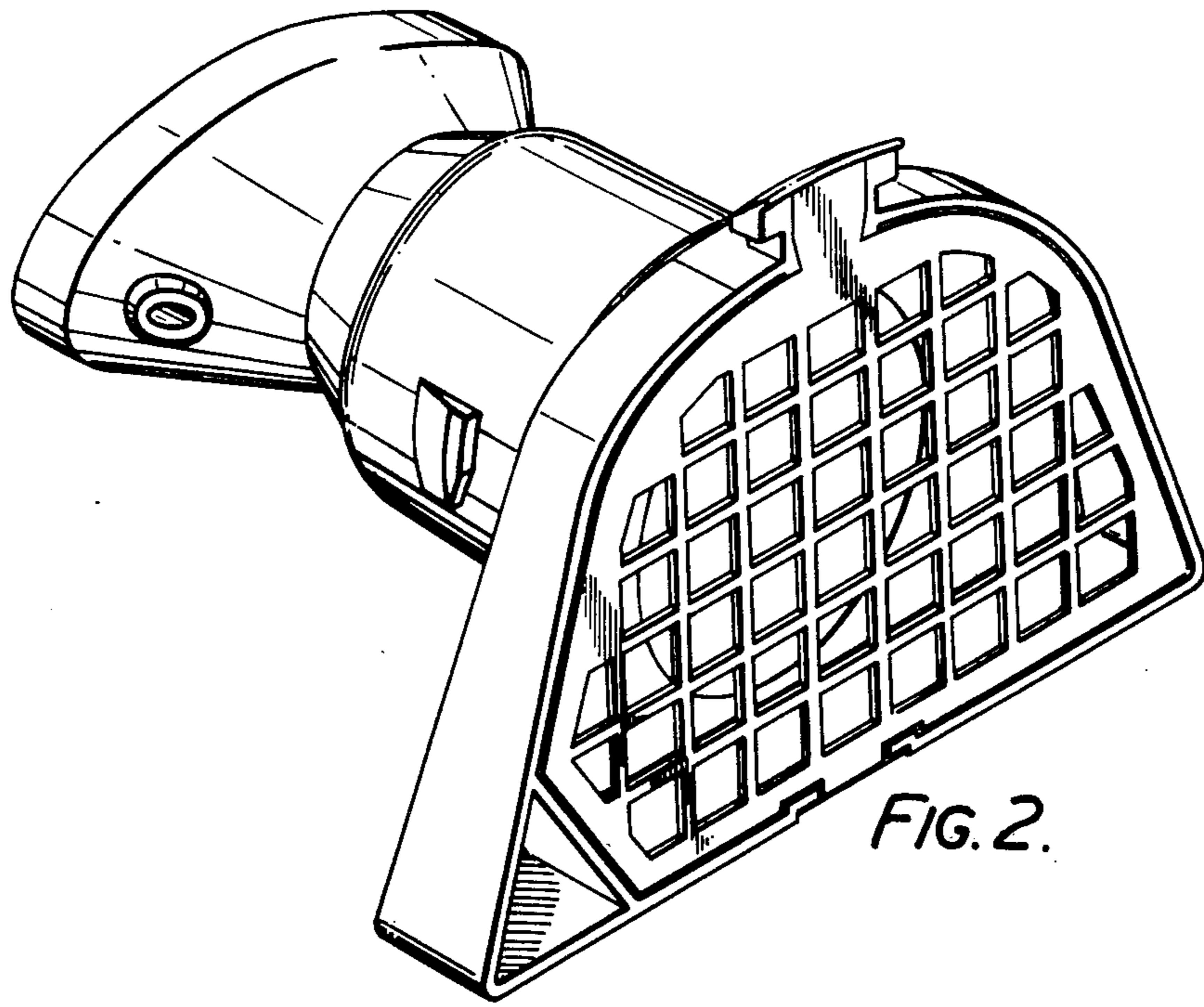


FIG. 2.

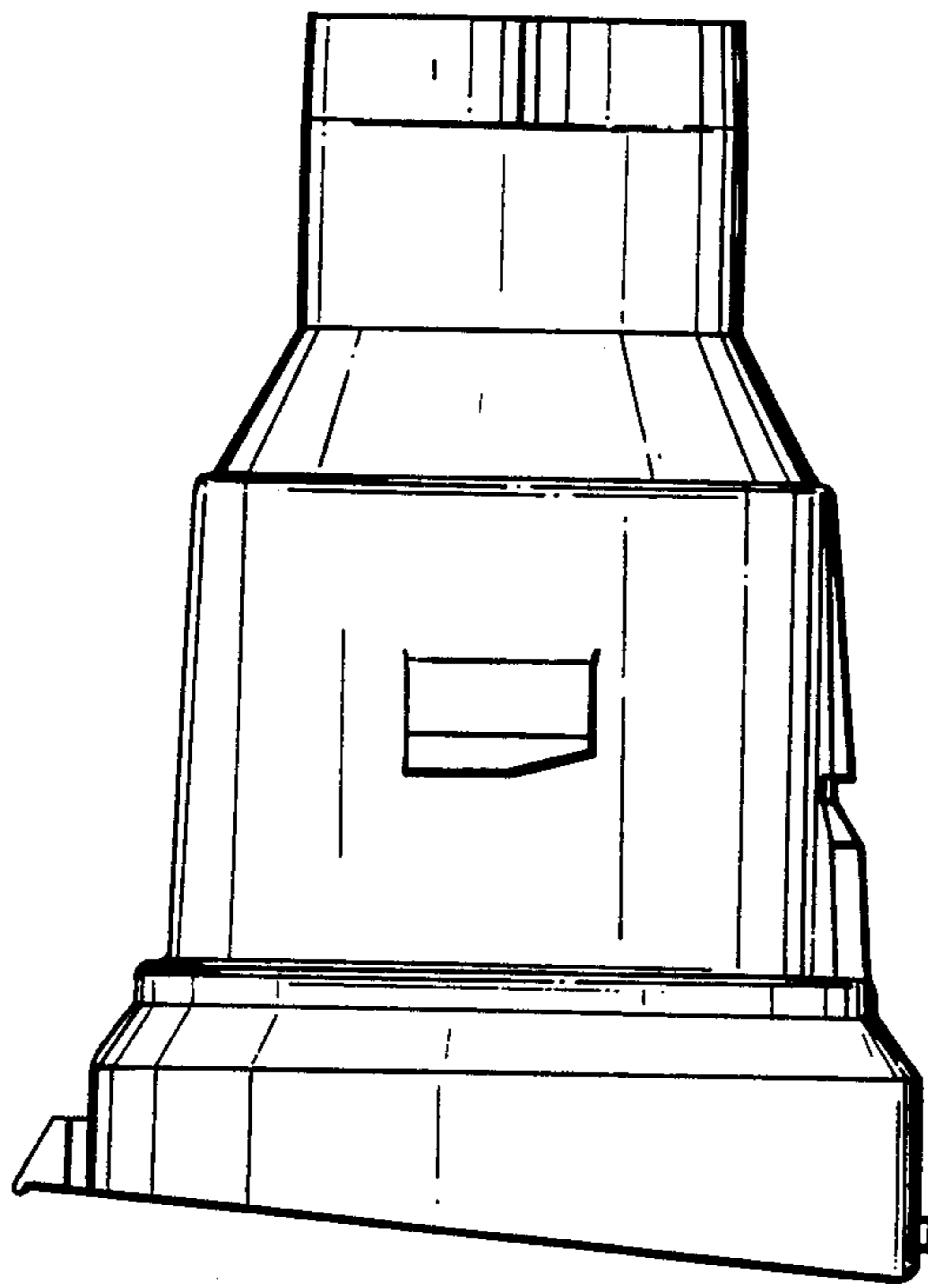


FIG. 3.

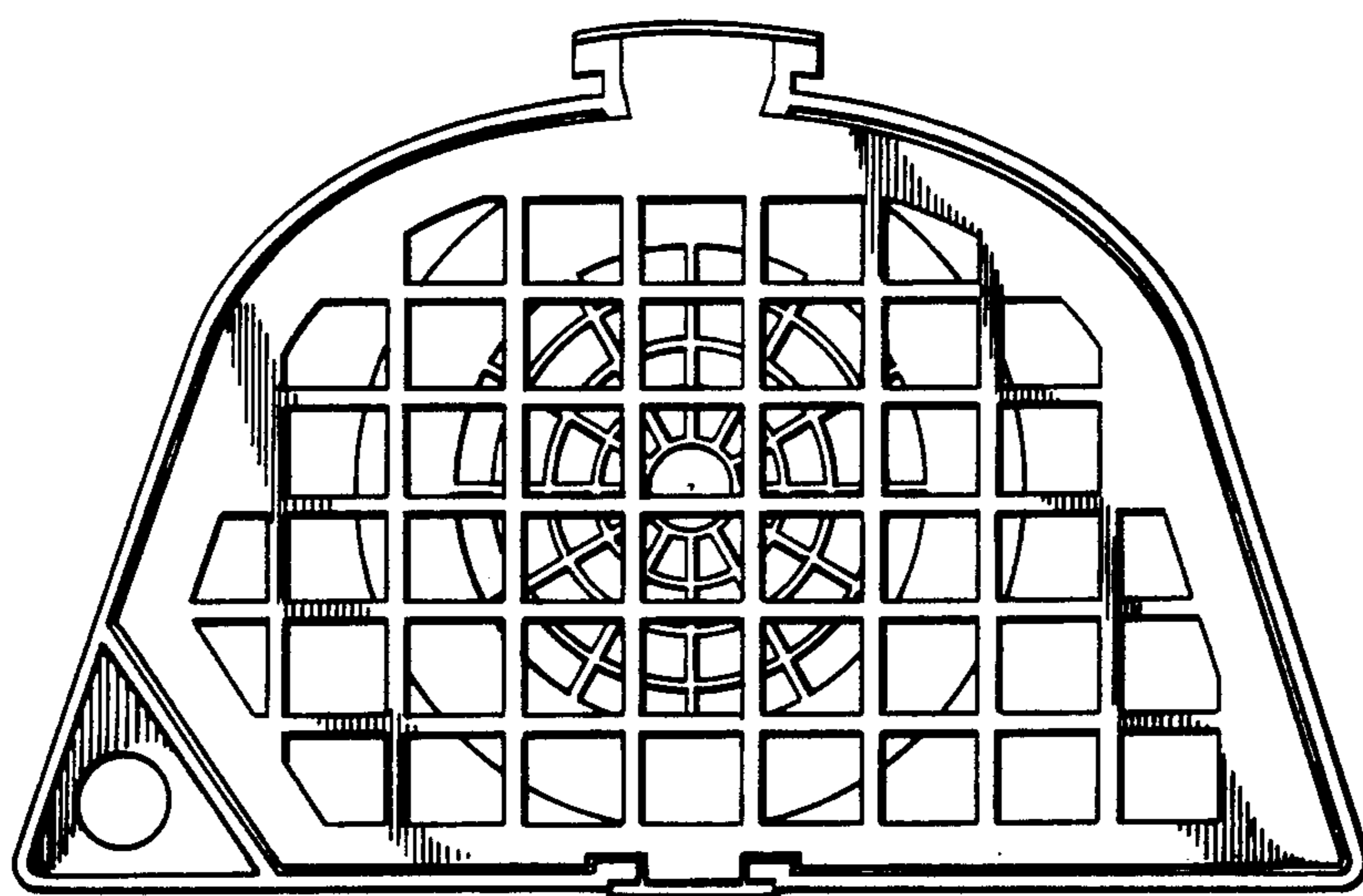


FIG. 4.

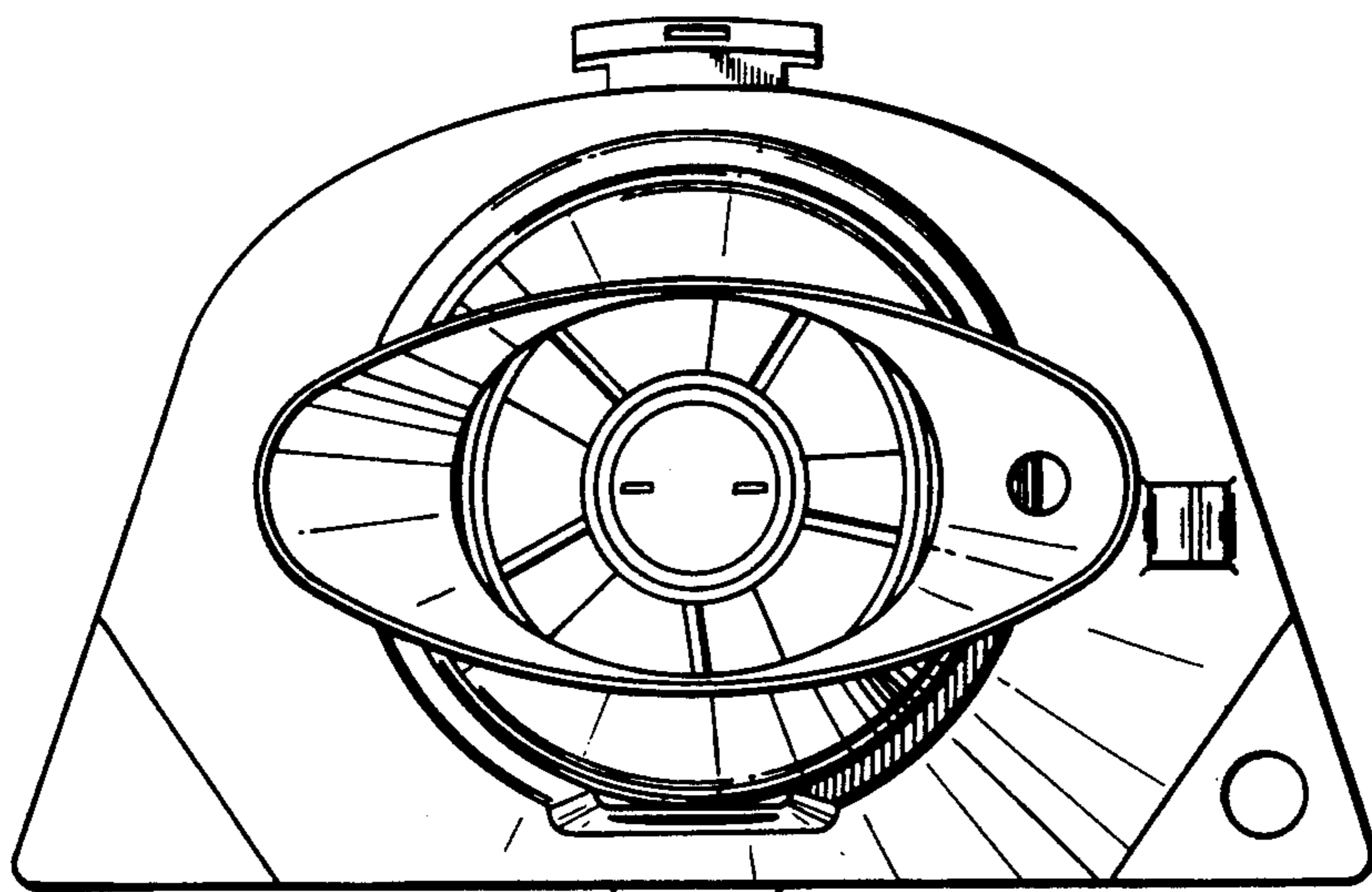


FIG. 5.