

[54] **WATER DAM FOR A FLUSH TANK**

[76] Inventor: **Thomas J. Ziolkowski, 475 NE. 8th Ave., Deerfield Beach, Fla. 33441**

[**] Term: **14 Years**

[21] Appl. No.: **848,145**

[22] Filed: **Nov. 3, 1977**

[51] Int. Cl. **D23-02**

[52] U.S. Cl. **D23/69**

[58] Field of Search **D23/40-47, D23/69, 70; 4/183, 415**

2,203,052 6/1940 Hanson 4/183
 3,812,544 5/1974 Risley 4/415
 4,009,497 3/1977 Moon 4/415
 4,080,667 3/1978 Walsh et al. 4/415

Primary Examiner—James R. Largen
Attorney, Agent, or Firm—John H. Oltman

[57] **CLAIM**

The ornamental design for a water dam for a flush tank, as shown.

DESCRIPTION

FIG. 1 is a front perspective view of a water dam for a flush tank showing my new design;
 FIG. 2 is a front elevational view thereof;
 FIG. 3 is a rear elevational view thereof;
 FIG. 4 is a top plan view thereof;
 FIG. 5 is a left side elevational view thereof; and
 FIG. 6 is a right side elevational view thereof.

[56] **References Cited**

U.S. PATENT DOCUMENTS

1,817,330 8/1931 Wilson, Jr. 4/183
 2,109,089 2/1938 Moyes 4/183

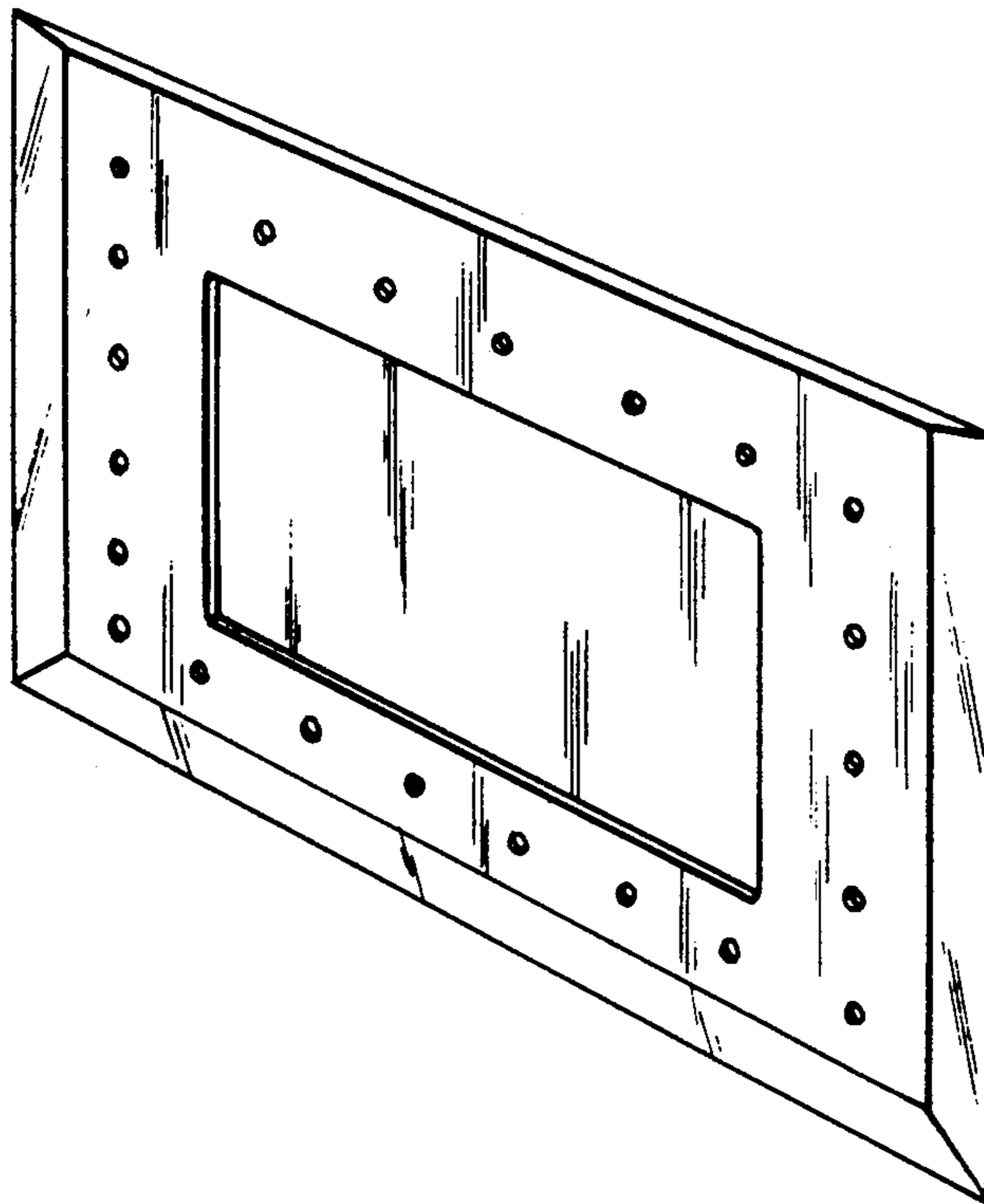


Fig. 1

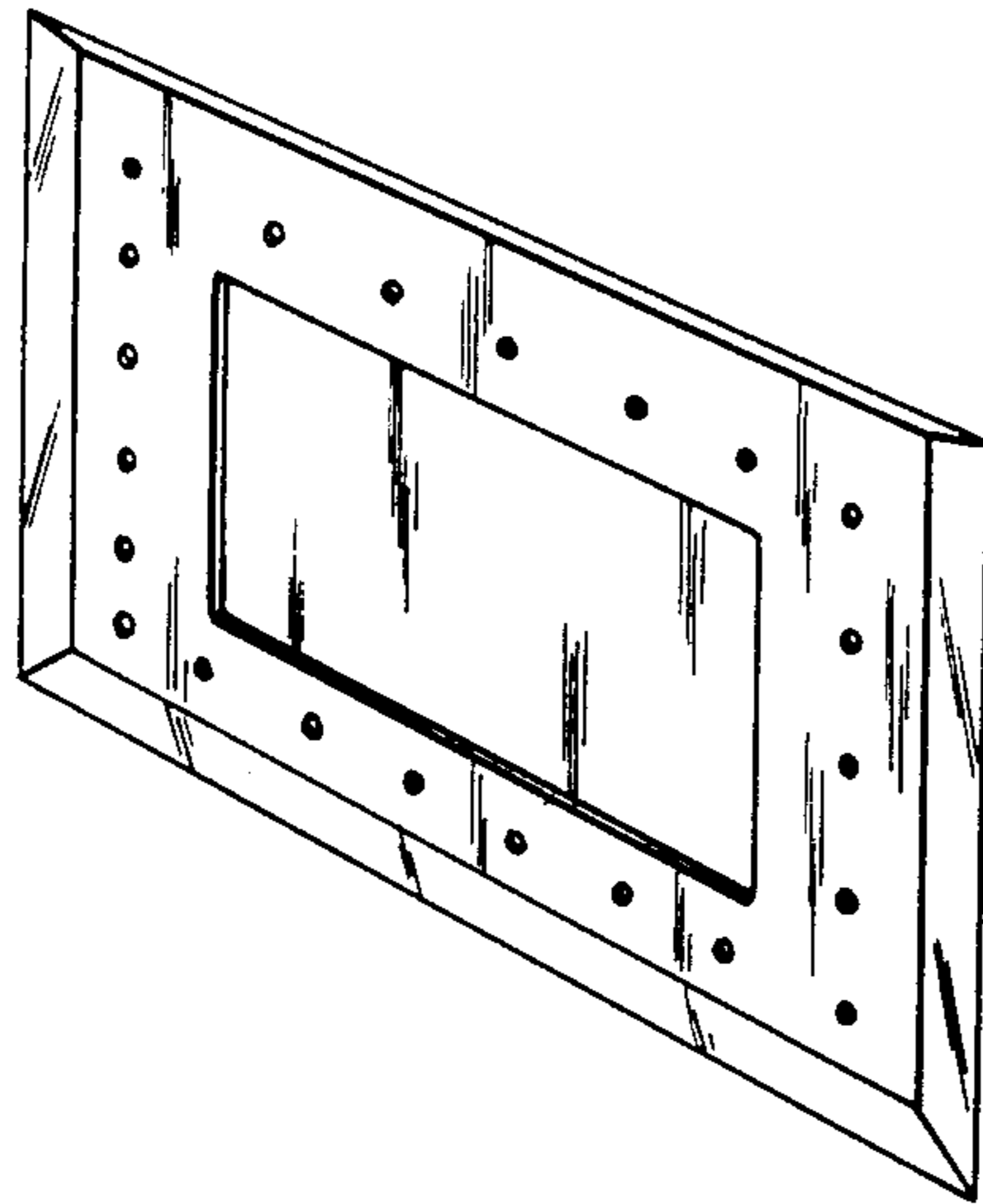


Fig. 4

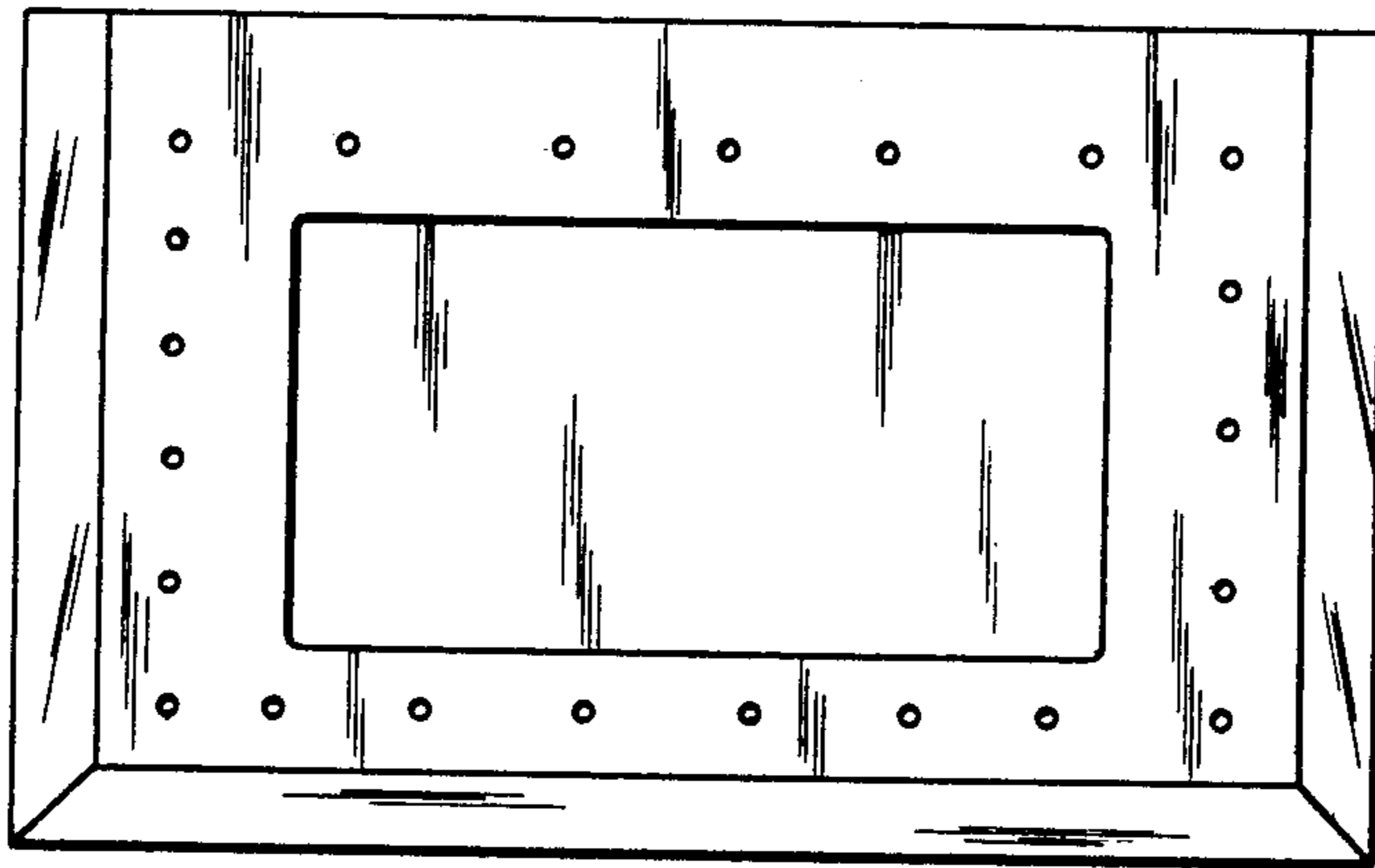
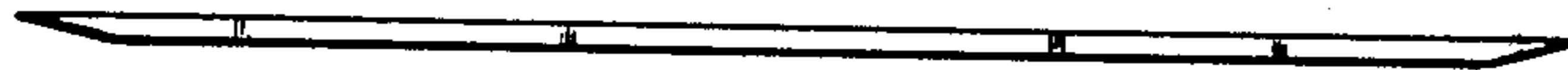


Fig. 5

Fig. 2

Fig. 6

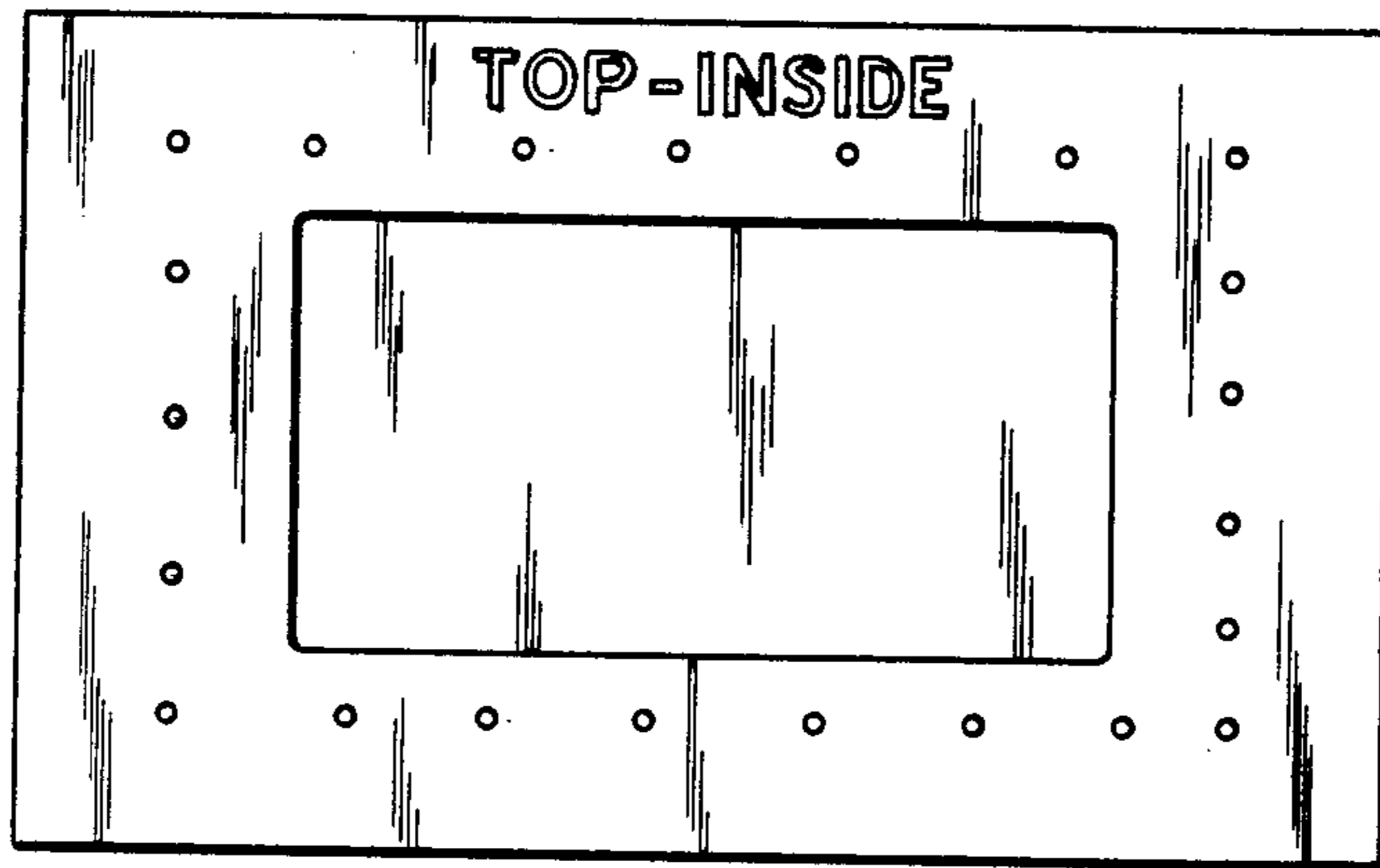


Fig. 3