

[54] PORTABLE TEACHING AID

[76] Inventor: Lester E. Prall, P.O. Drawer A-I,
Salt Lake City, Utah 84501

[**] Term: 3½ Years

[21] Appl. No.: 793,162

[22] Filed: May 2, 1977

[51] Int. Cl. D19-07

[52] U.S. Cl. D19/62; D19/52

[58] Field of Search D19/59, 62, 52; 35/60,
35/64, 61; D34/15 LL, 15 R; 46/13

[56] References Cited

U.S. PATENT DOCUMENTS

3,345,760 10/1967 Myhr 35/60

FOREIGN PATENT DOCUMENTS

60727 3/1943 Denmark 35/60
458623 7/1950 Italy 46/13

Primary Examiner—Melvin B. Feifer
Attorney, Agent, or Firm—W. Britton Moore

[57] CLAIM

The ornamental design for a portable teaching aid, substantially as shown.

DESCRIPTION

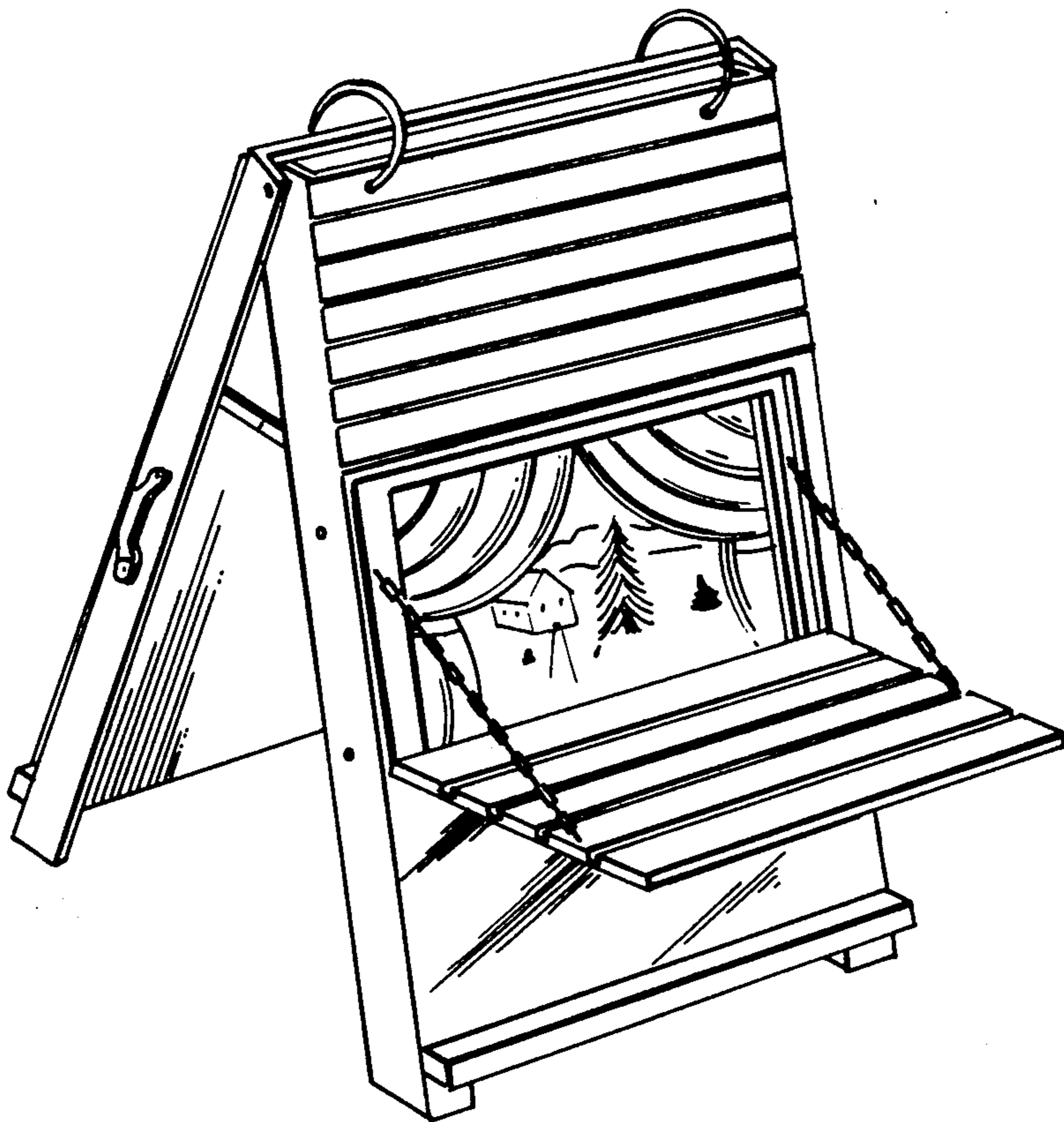
FIG. 1 is a front perspective view of a portable teaching aid showing my new design in operating open or expanded position;

FIG. 2 is a side elevation view thereof;

FIG. 3 is a top plan view thereof;

FIG. 4 is a view in elevation of the opposite side of FIG. 1; and

FIG. 5 is a perspective view of the teaching aid in closed position.



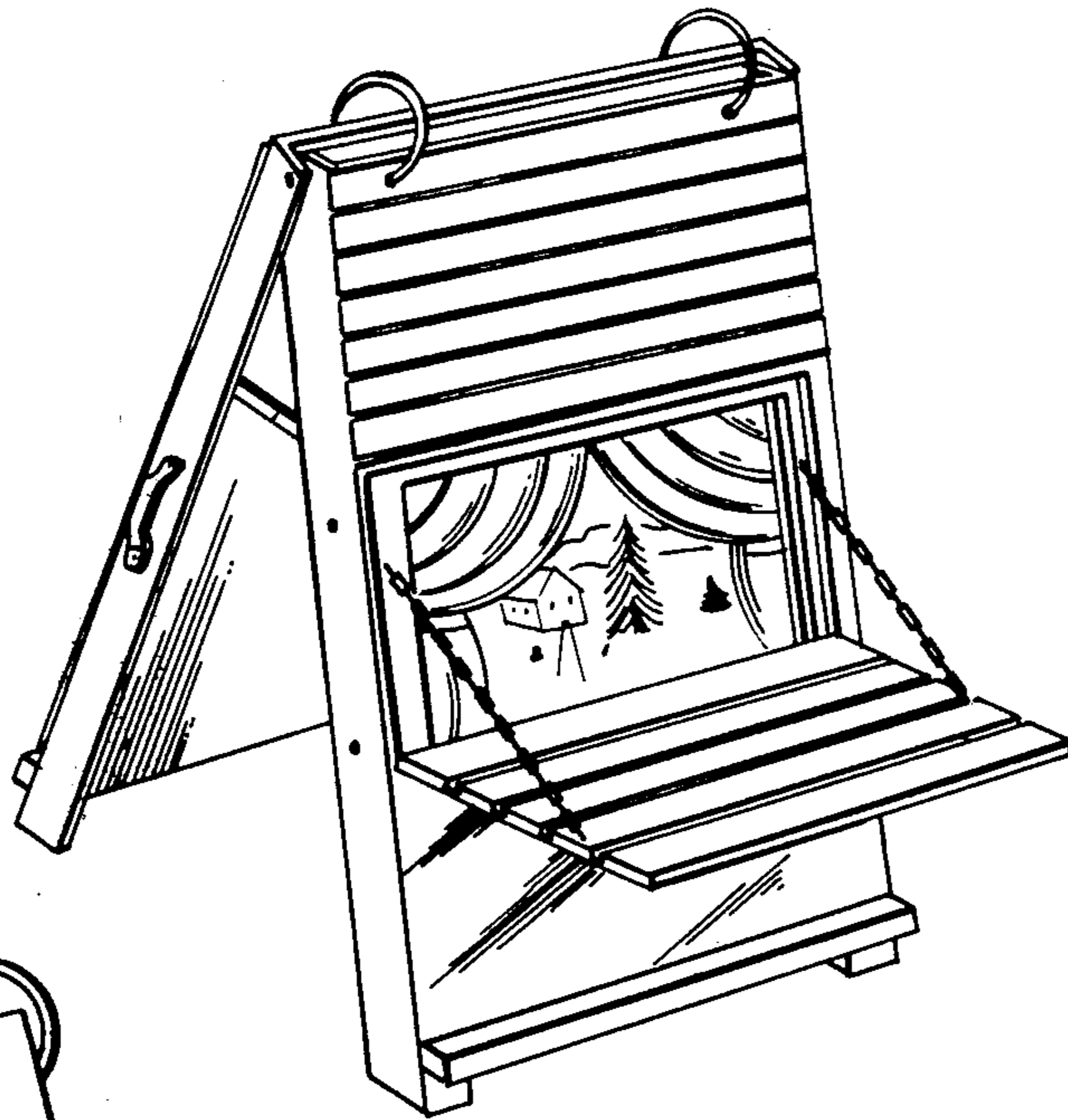


FIG. 1

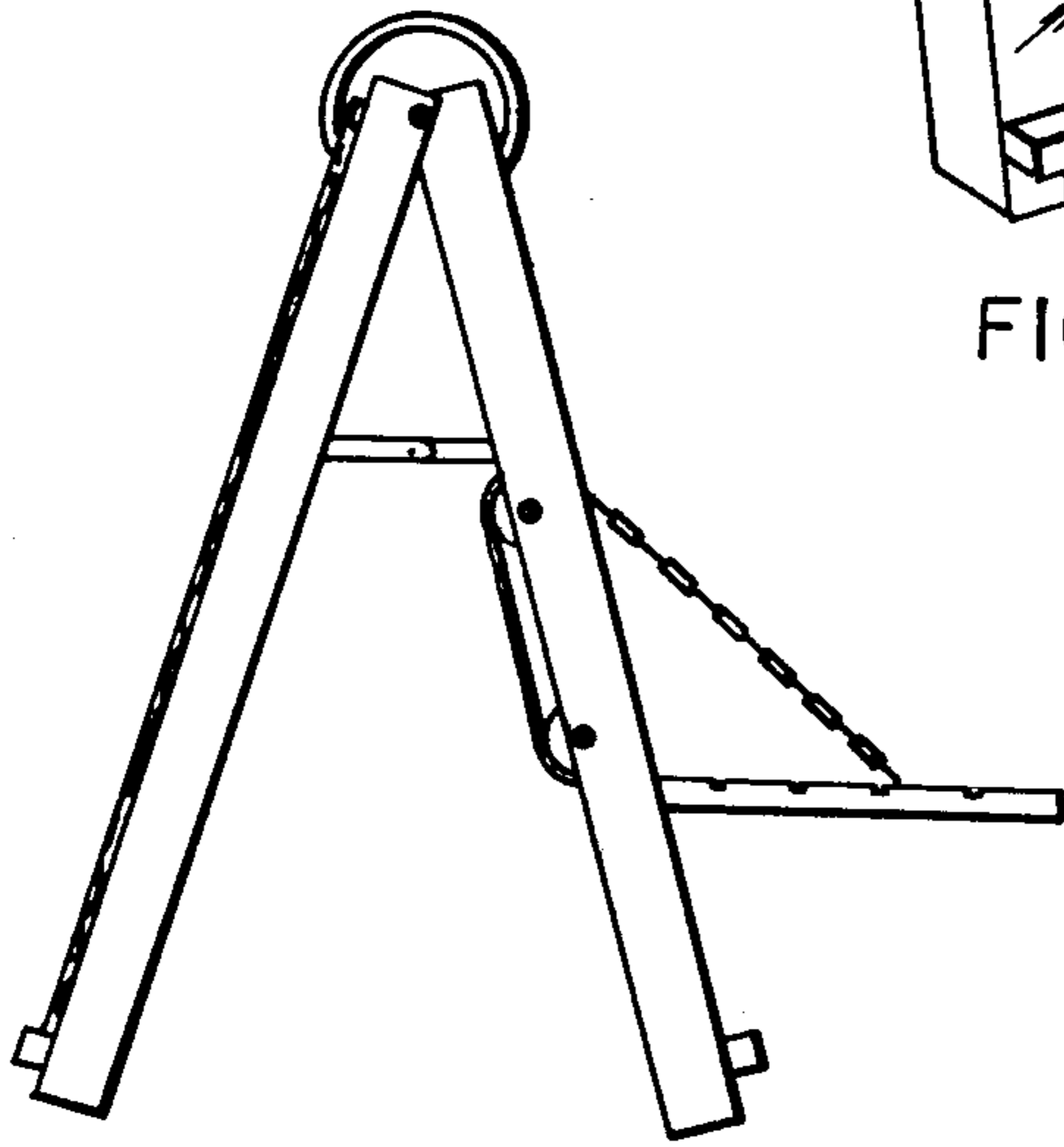


FIG. 2

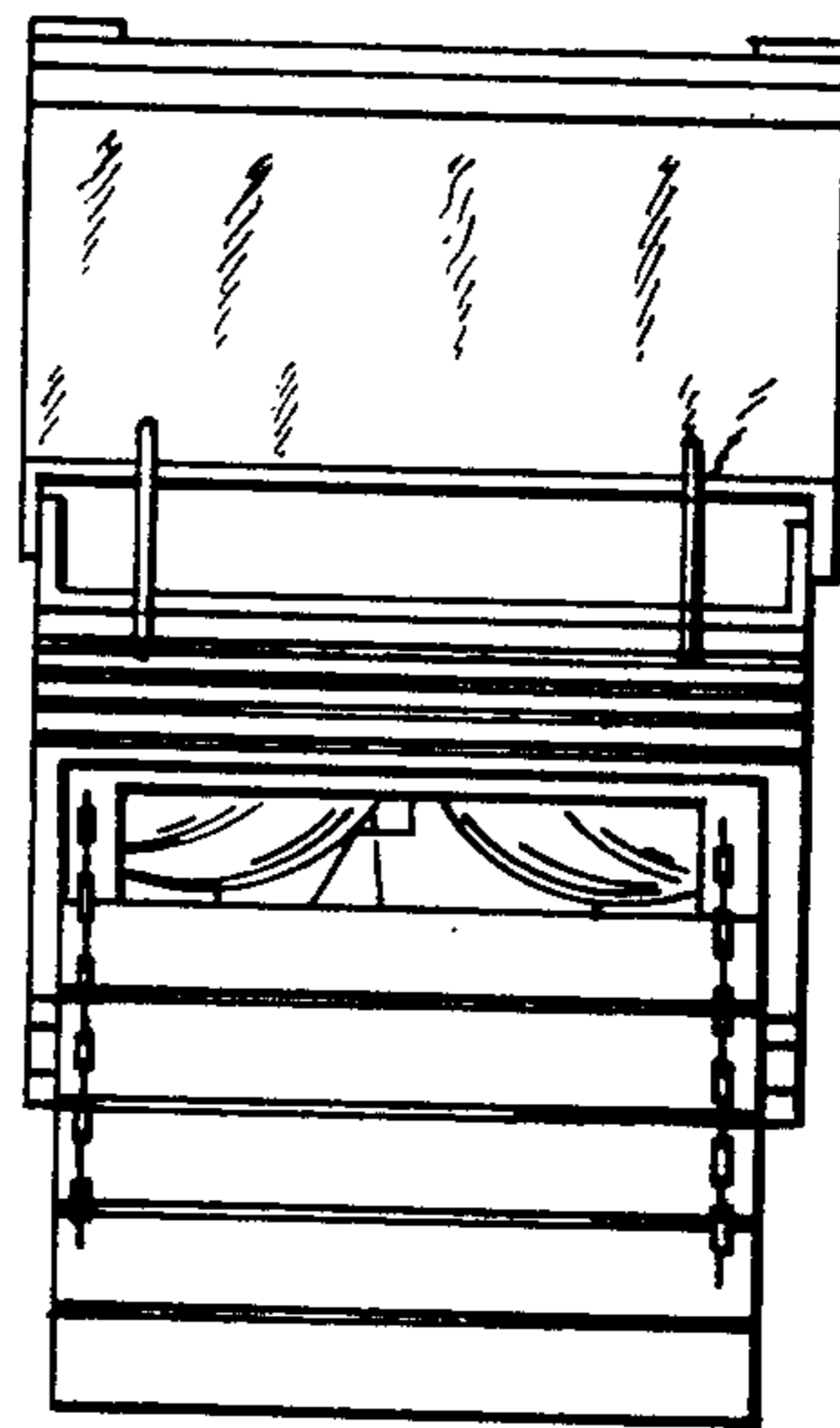


FIG. 3

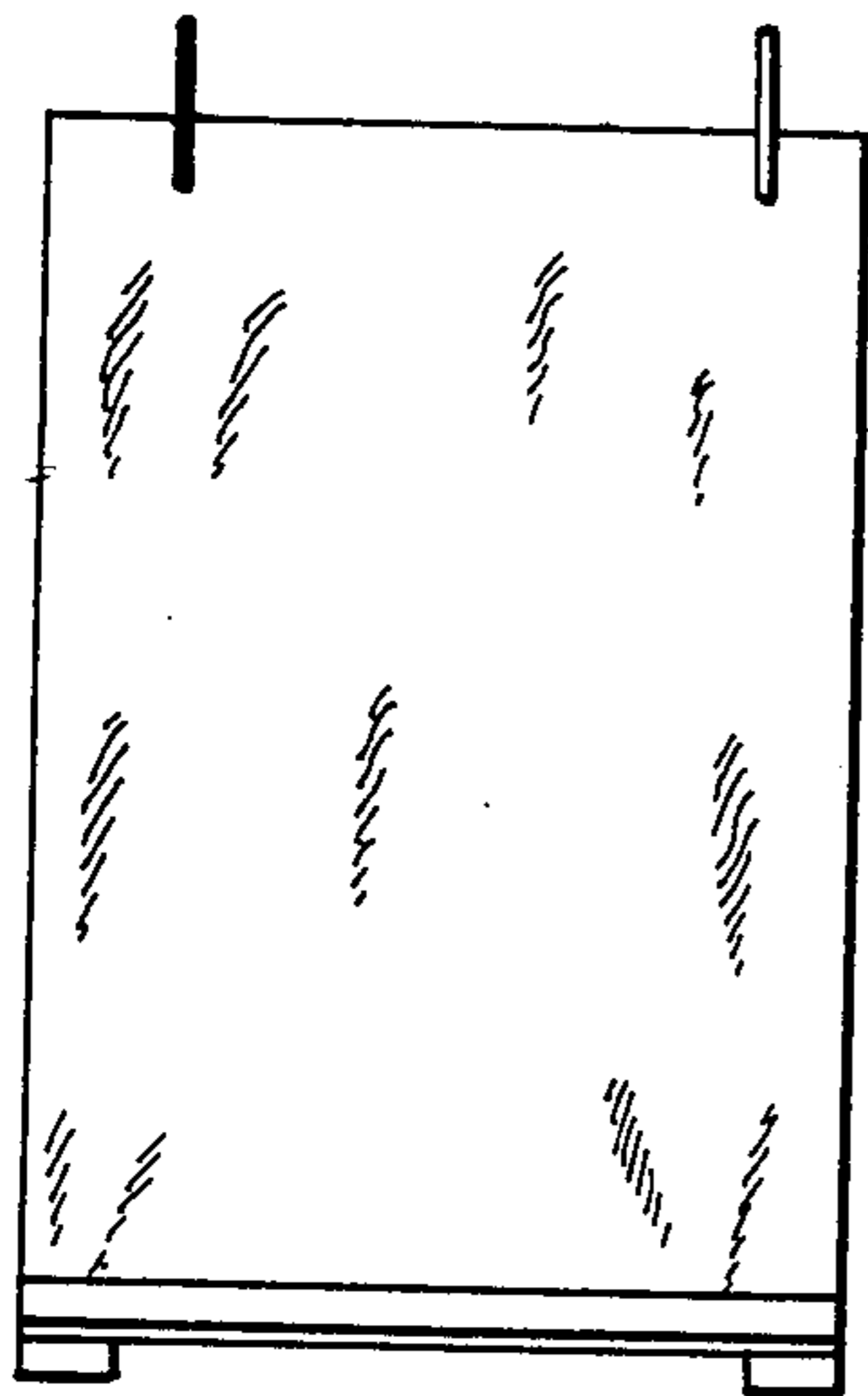


FIG. 4

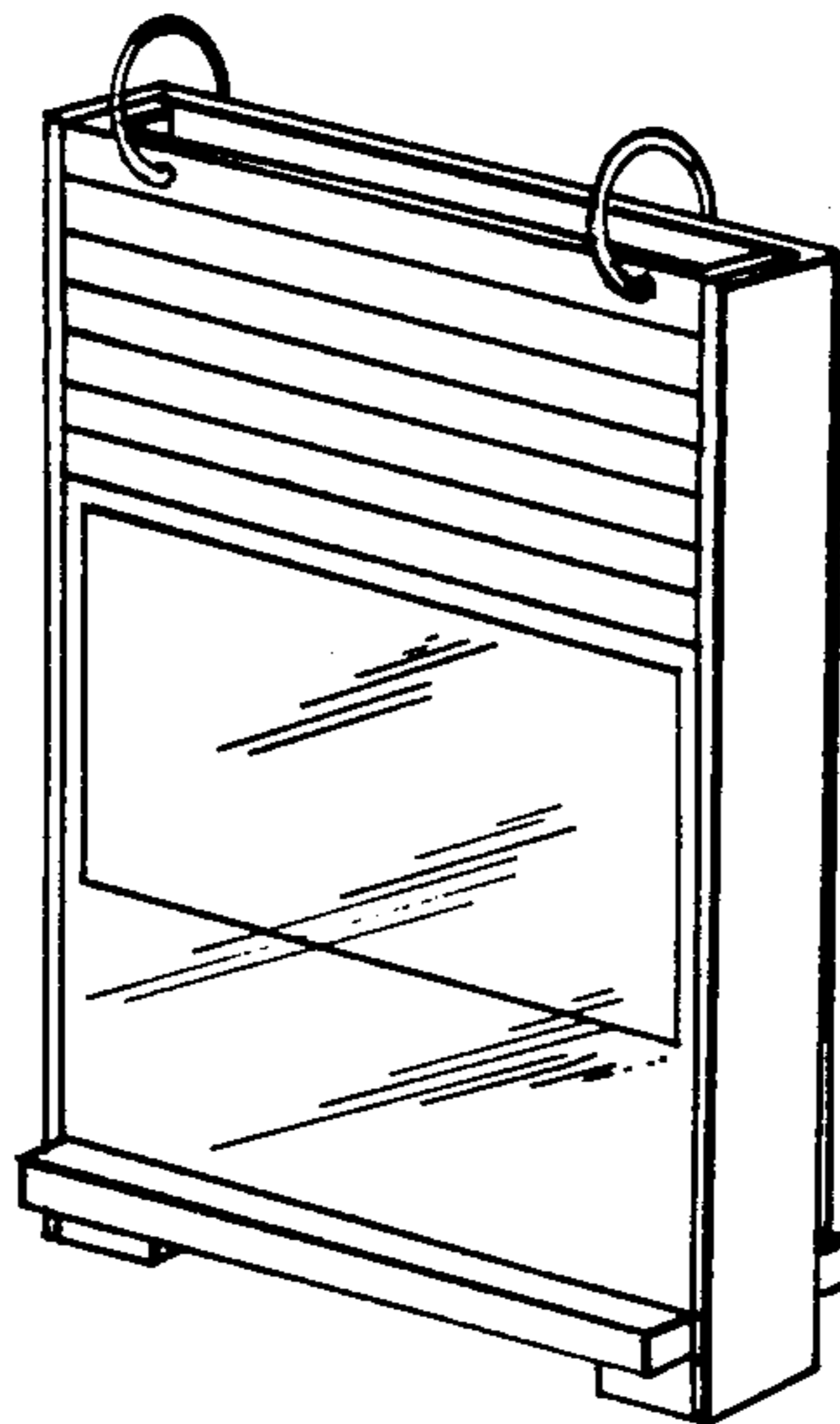


FIG. 5