

[54] LABEL DISPENSER

[76] Inventor: Willard W. Rogers, 2612 N. 93rd, Omaha, Nebr. 68134

[**] Term: 14 Years

[21] Appl. No.: 748,261

[22] Filed: Dec. 6, 1976

[51] Int. Cl. D19-02

[52] U.S. Cl. D19/67

[58] Field of Search D19/66-70; 225/38-45; 221/73, 75

[56] References Cited

U.S. PATENT DOCUMENTS

D. 166,083 3/1952 Krueger D19/68

D. 169,789 6/1953 Reinecke D19/68
3,107,814 10/1963 Auger et al. D19/67
3,930,697 1/1976 Barouh et al. D19/67

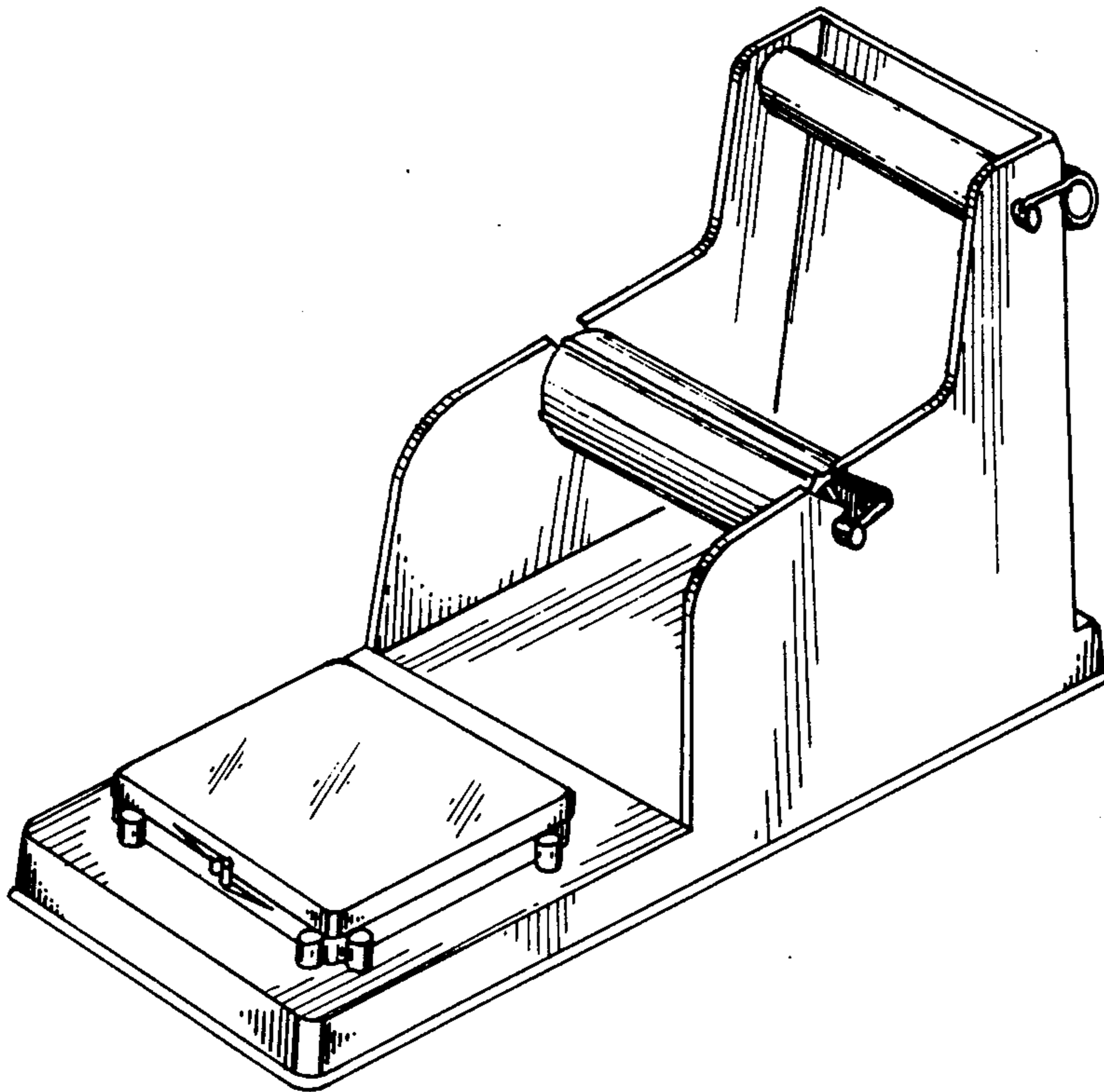
Primary Examiner—Joel Stearman
Assistant Examiner—George P. Word
Attorney, Agent, or Firm—Louis J. Strom

[57] CLAIM

The ornamental design for a label dispenser, substantially as shown.

DESCRIPTION

FIG. 1 is a perspective view of a label dispenser showing my new design;
FIG. 2 is a left side elevational view;
FIG. 3 is a bottom plan view and;
FIG. 4 is a rear elevational view thereof.



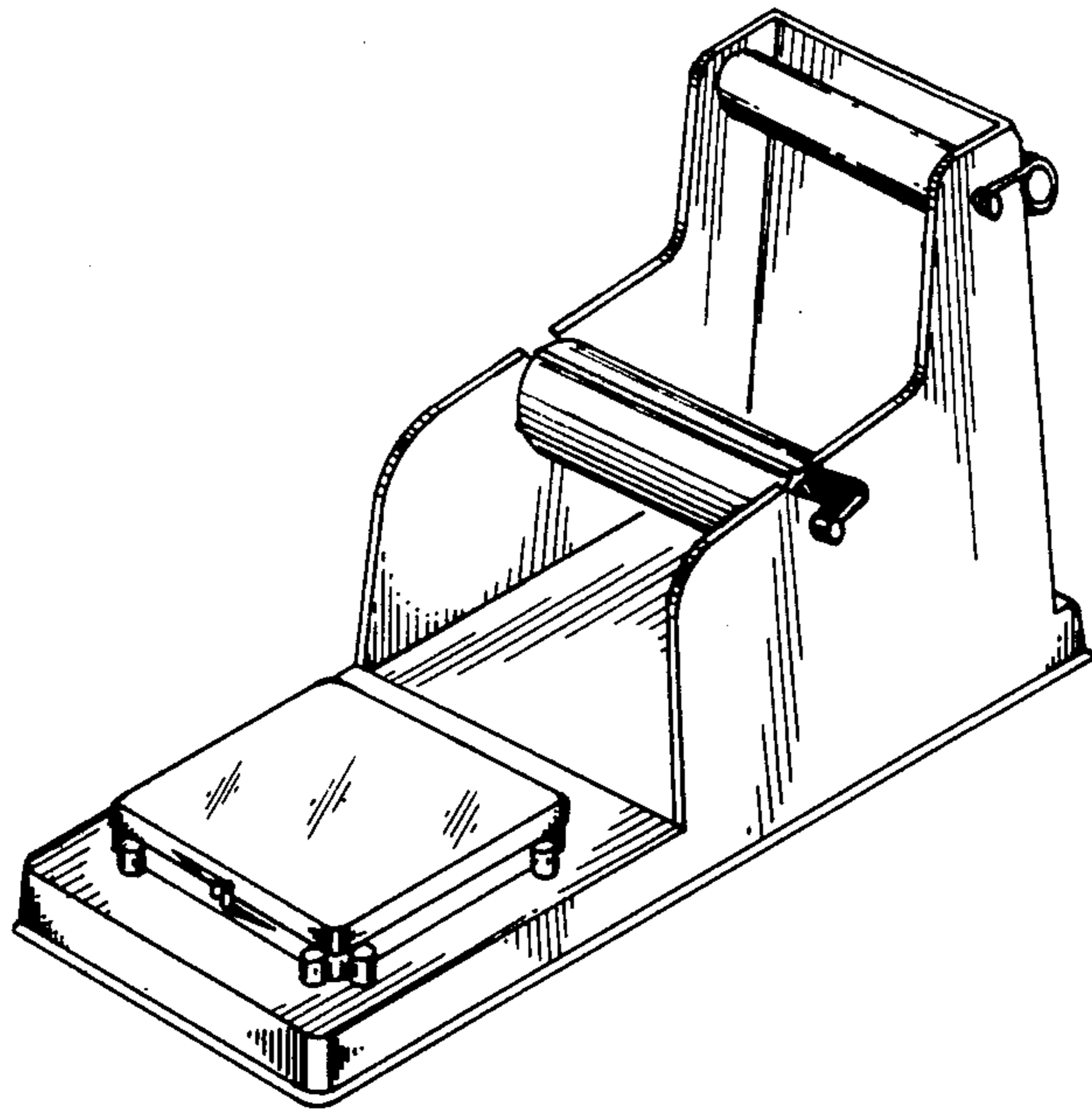


FIG. 1

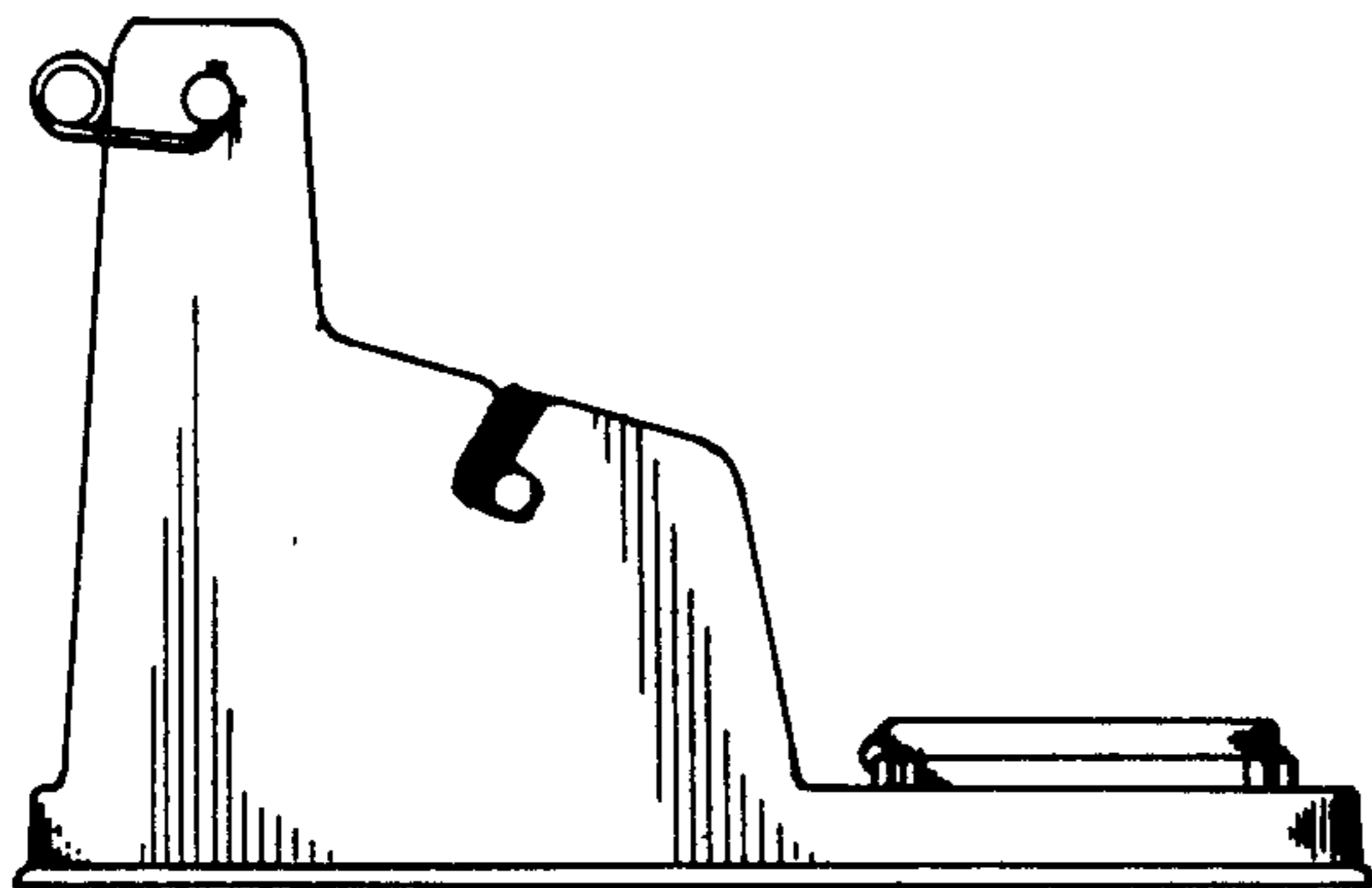


FIG. 2

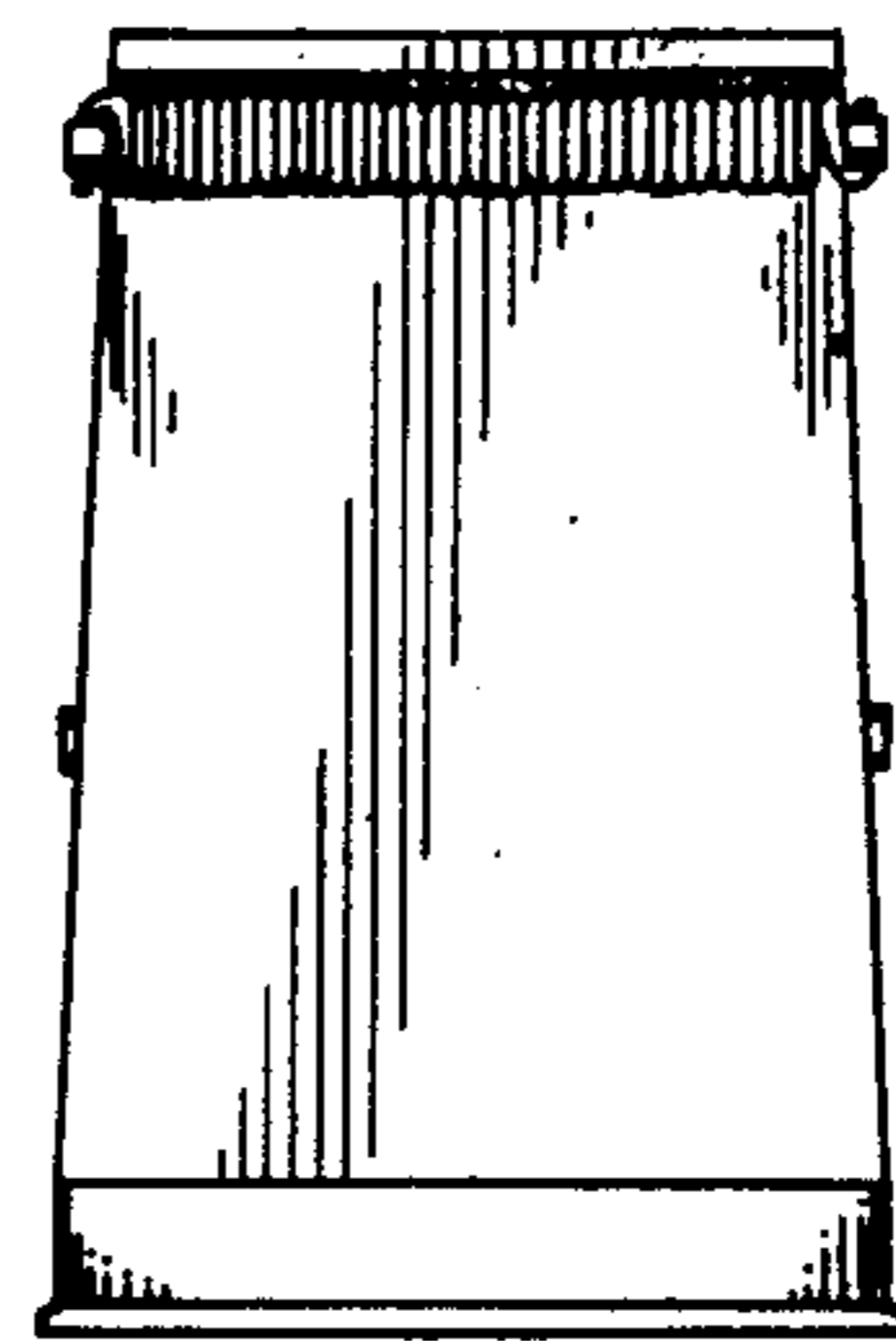


FIG. 4

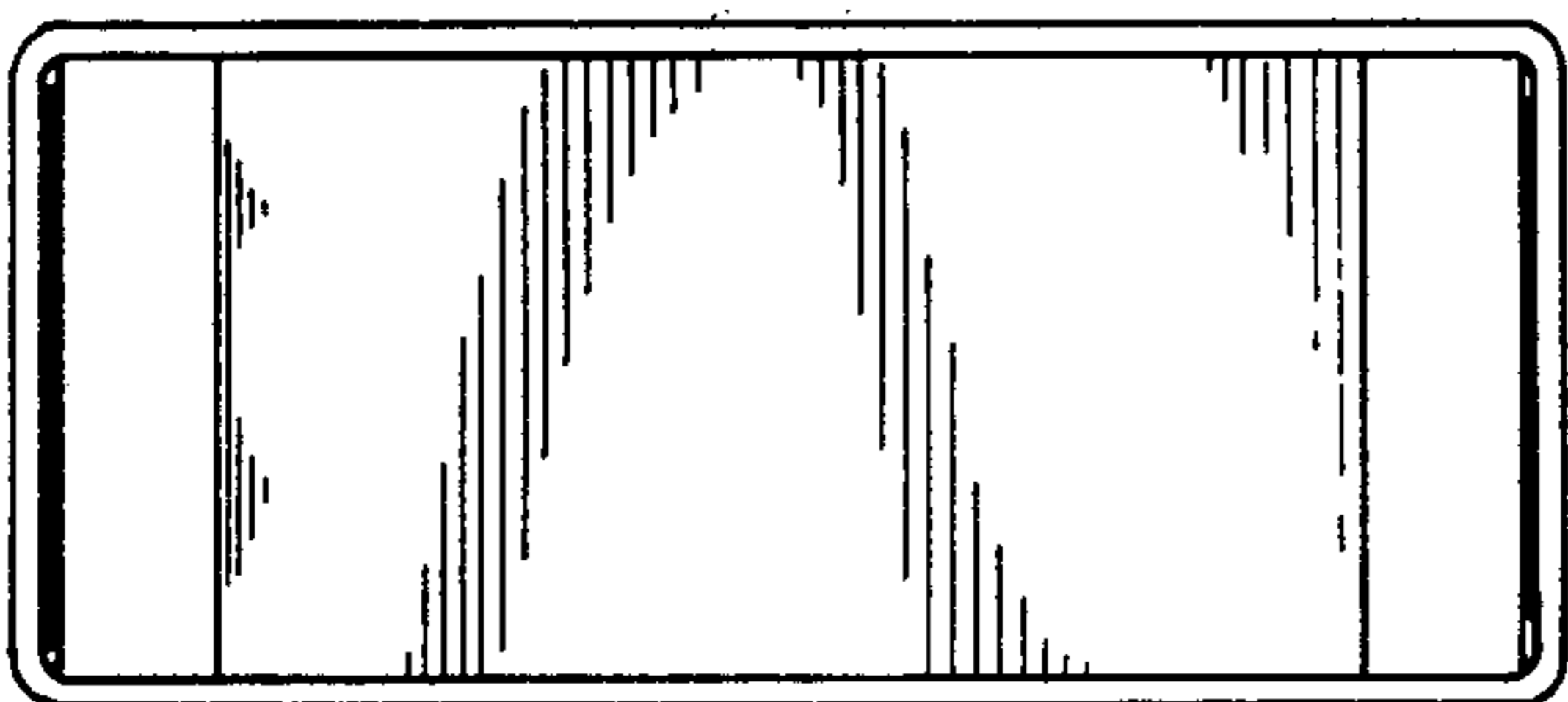


FIG. 3