

[54] TRANSPORTABLE CAMERA STAND

[75] Inventor: Rudolf Viering, Cologne, Fed. Rep. of Germany

[73] Assignee: Pixyfoto GmbH, Cologne, Fed. Rep. of Germany

[**] Term: 14 Years

[21] Appl. No.: 736,982

[22] Filed: Oct. 29, 1976

[30] Foreign Application Priority Data

May 6, 1976 [DE] Fed. Rep. of Germany MP6129

[51] Int. Cl. D16-05; D12-02

[52] U.S. Cl. D16/44; D12/29

[58] Field of Search D16/1-10, D16/44; D6/85, 101; D12/21, 25, 31, 32, 34, 29; 354/290, 291, 292, 293; 248/11, 127, 163, 165, 166, 176, 177, 183, 424; 108/115, 128, 134, 135, 160; 280/29, 47.34, 63, 366

[56] References Cited

U.S. PATENT DOCUMENTS

D. 221,900 9/1971 Samuelson et al. D16/44
2,725,783 12/1955 Jackson D16/44 X

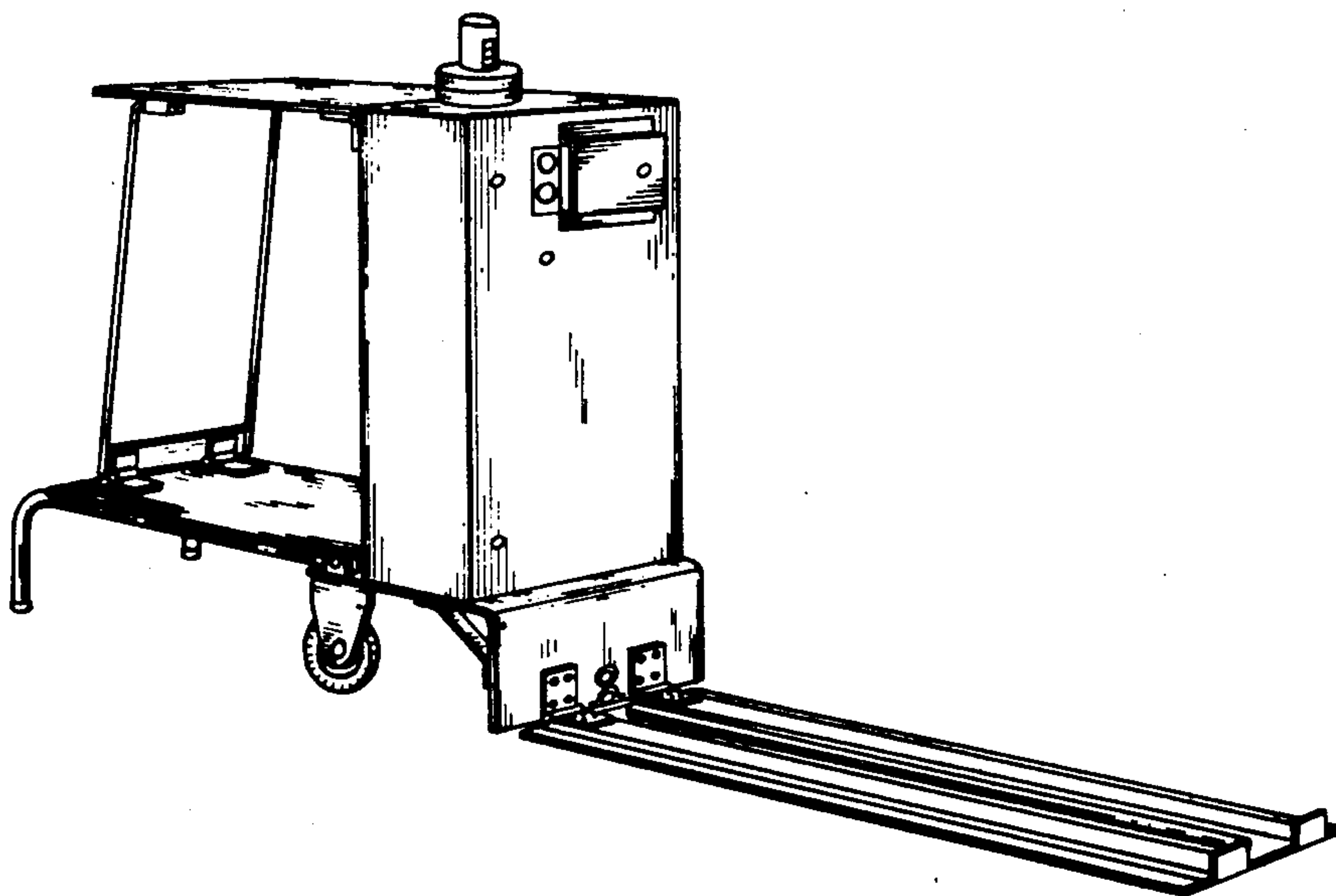
Primary Examiner—Wallace R. Burke
Assistant Examiner—Catherine Kemper
Attorney, Agent, or Firm—Omri M. Behr

[57] CLAIM

The ornamental design for a transportable camera stand, as shown.

DESCRIPTION

FIG. 1 is a side elevational view of a transportable camera stand, showing my new design;
FIG. 2 is a top plan view thereof;
FIG. 3 is a bottom plan view thereof;
FIG. 4 is a front elevational view thereof, and,
FIG. 5 is a rear elevational view thereof;
FIG. 6 is a front perspective view thereof;
FIG. 7 is a rear perspective view thereof.



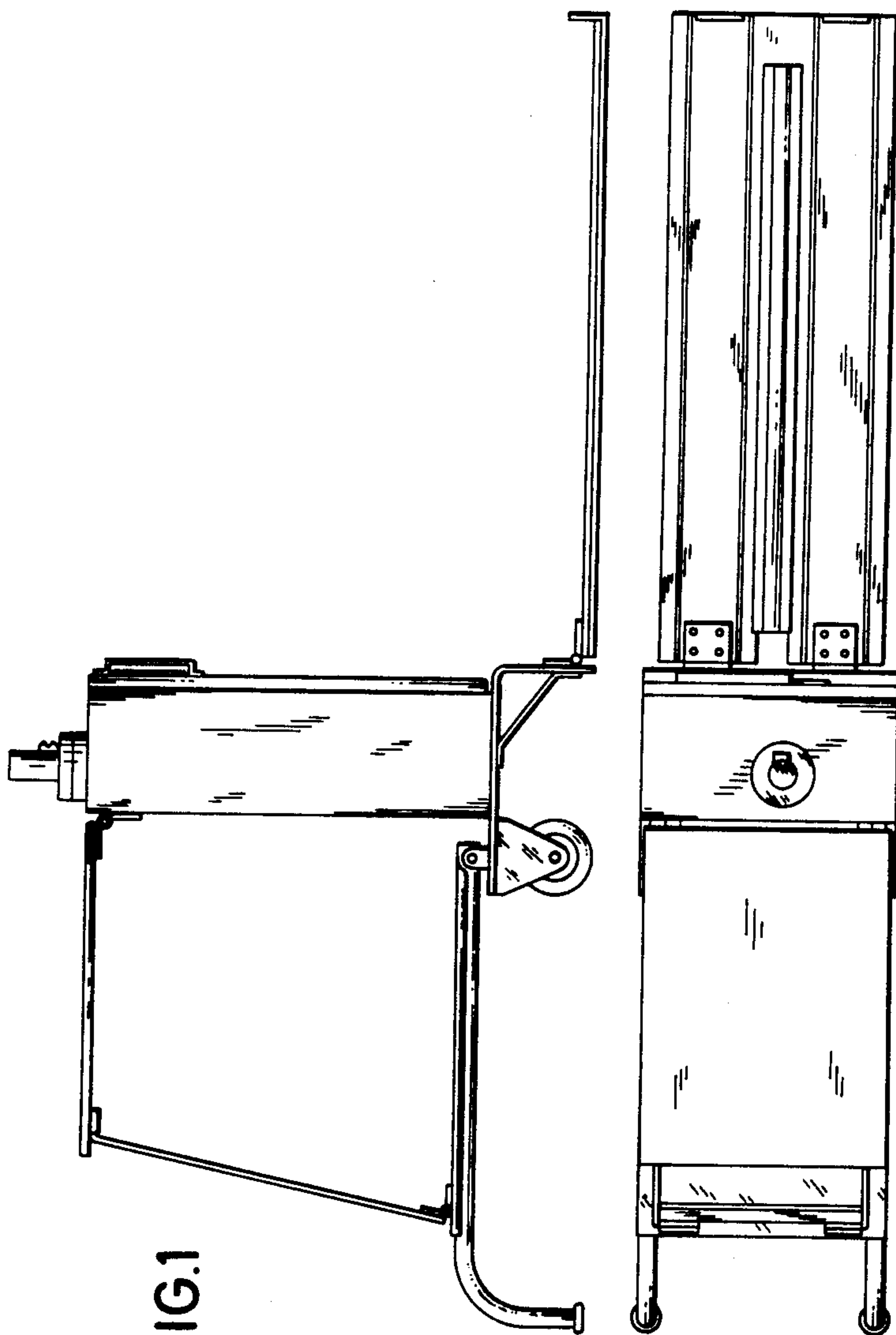


FIG. 1

FIG. 2

FIG. 3

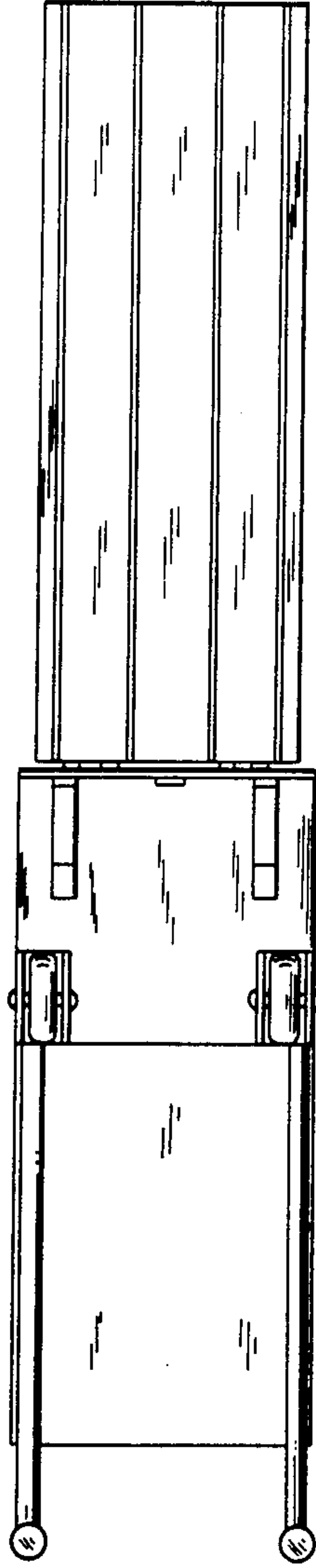


FIG. 5

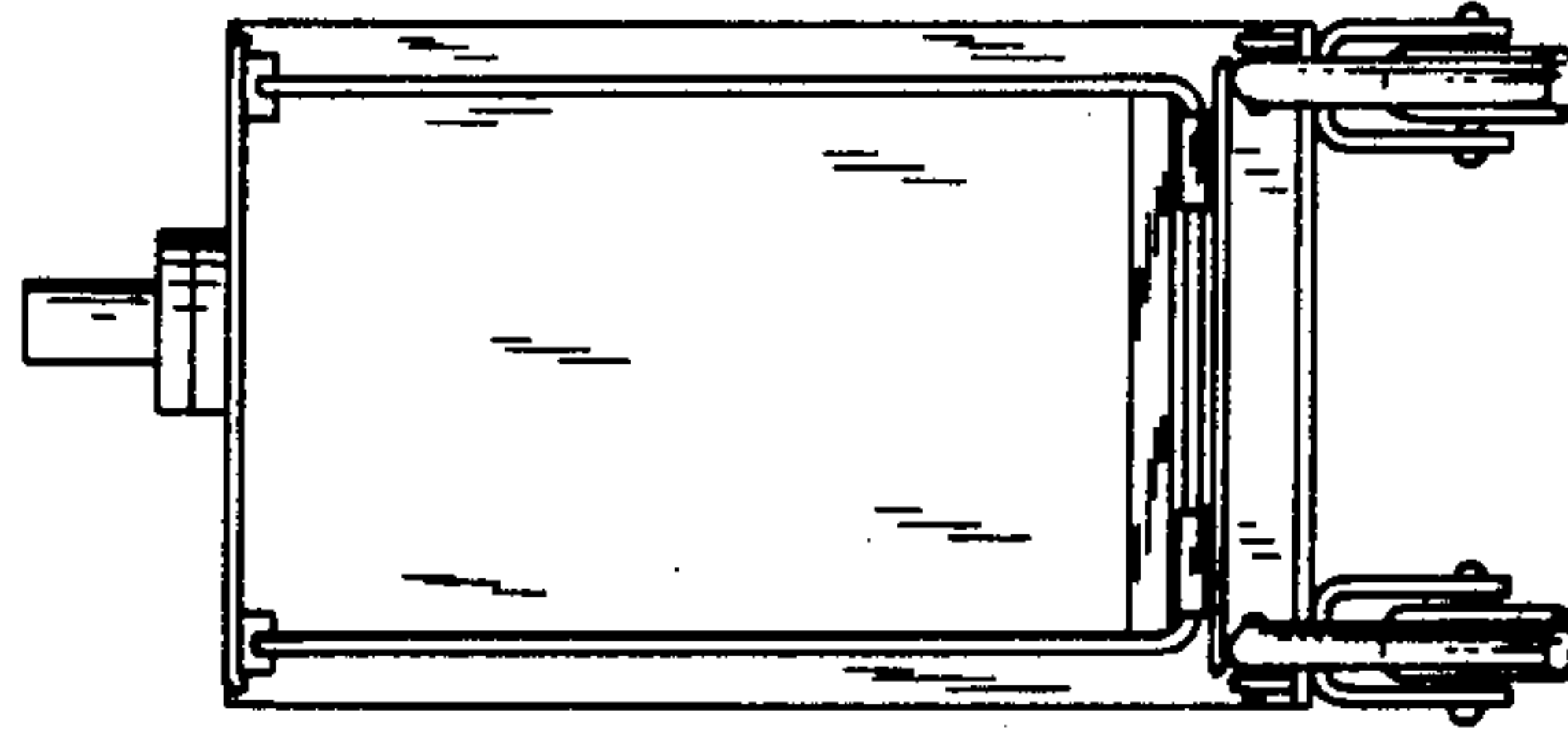
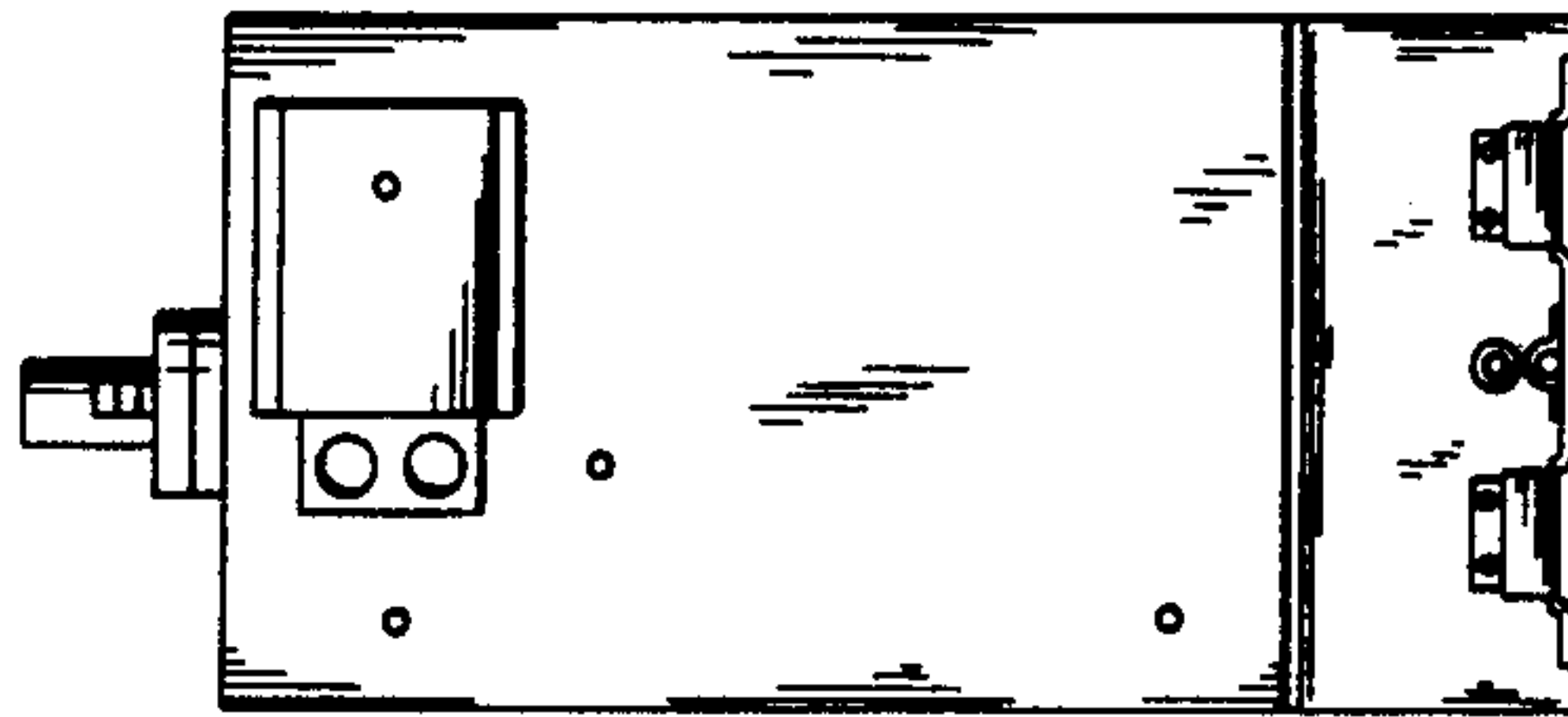


FIG. 4



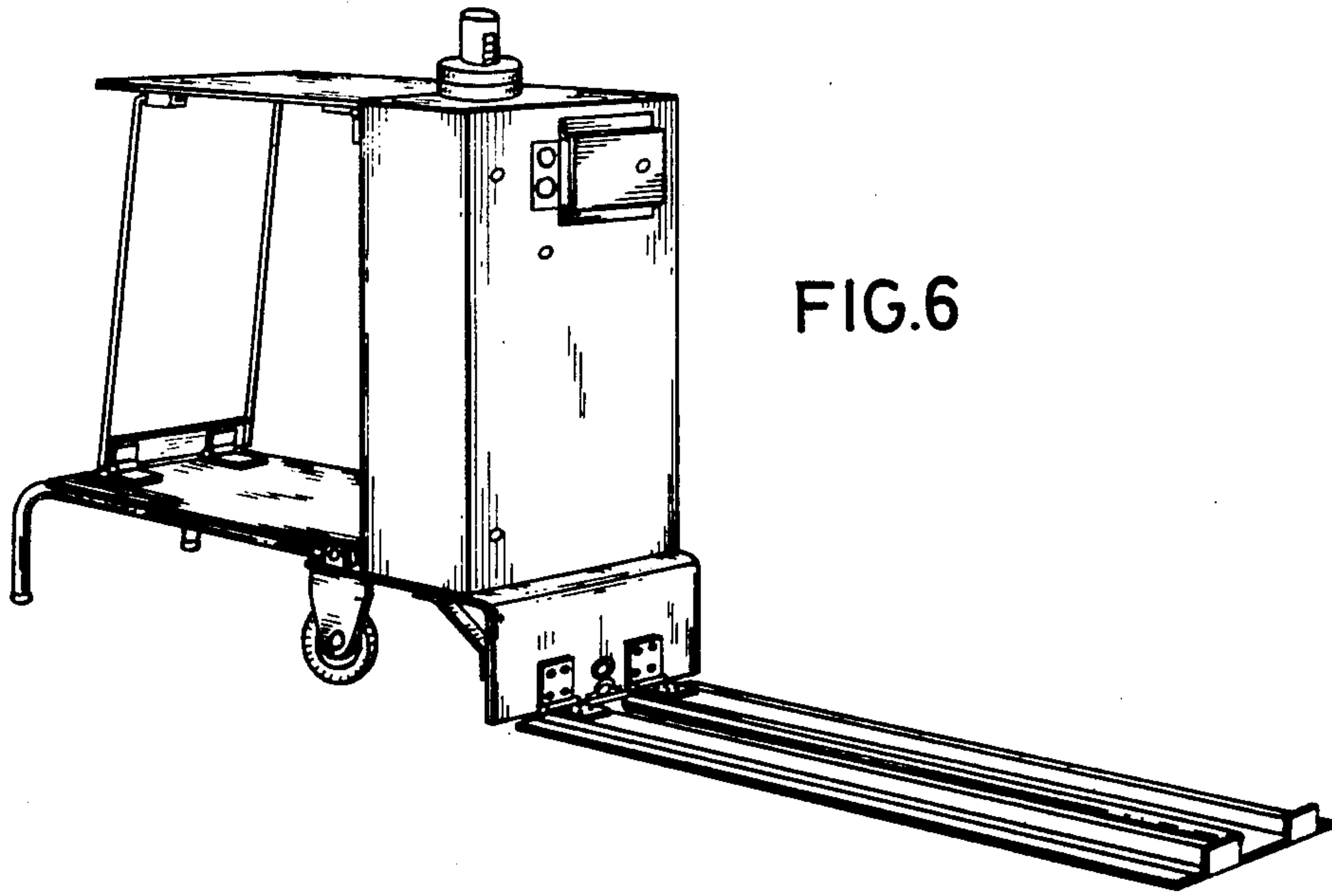


FIG. 6

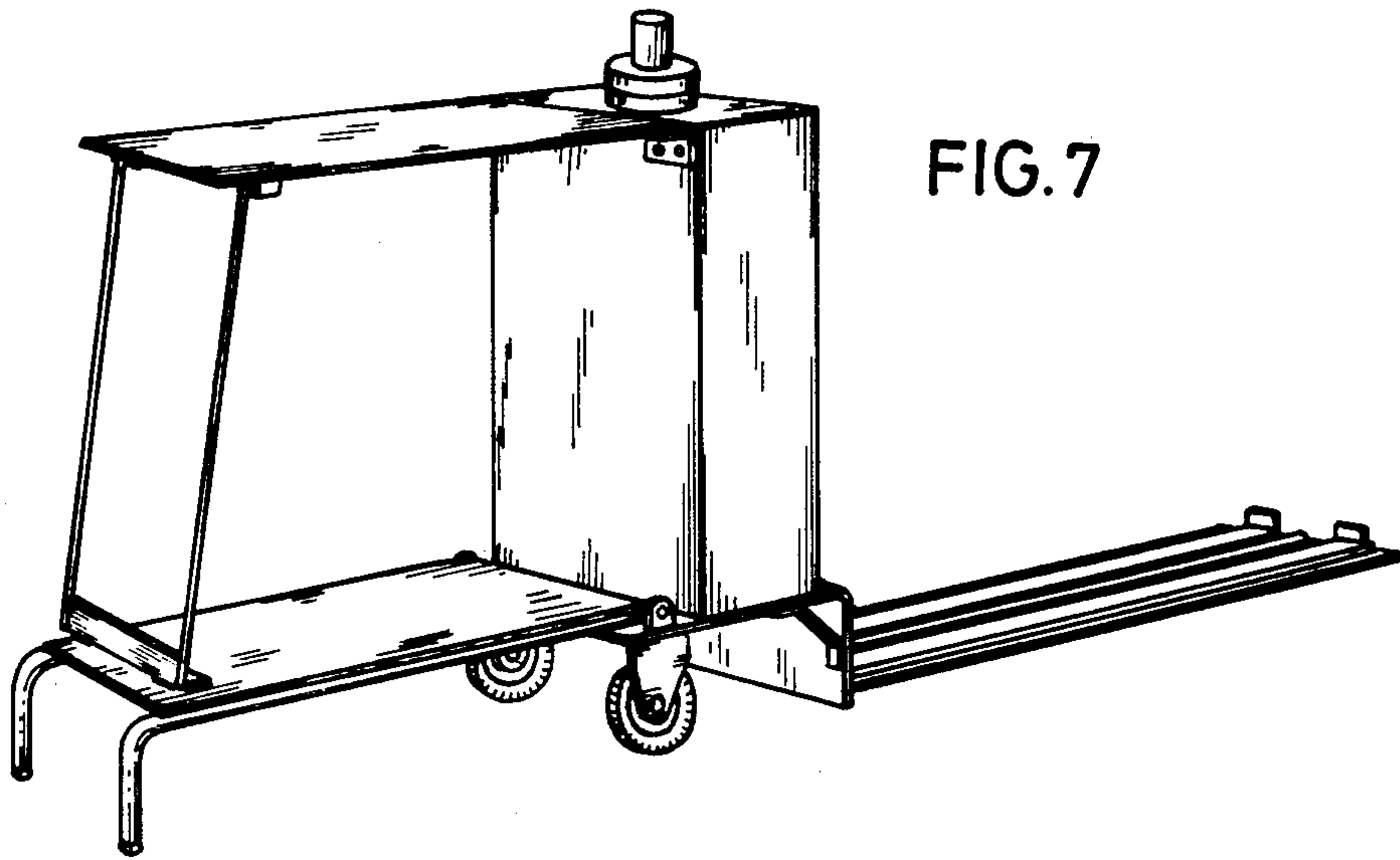


FIG. 7