

[54] TIE STRAP

[76] Inventor: Willard H. Taylor, 494 N. Main St., Gloversville, N.Y. 12078

[\*\*] Term: 14 Years

[21] Appl. No.: 734,510

[22] Filed: Oct. 21, 1976

[51] Int. Cl. .... D9-99

[52] U.S. Cl. .... D9/252

[58] Field of Search ..... 24/16 PB; 206/442; D9/252; D11/3-6, 12; D87/3 H; 150/3

[56] References Cited

U.S. PATENT DOCUMENTS

D. 236,441	8/1975	Lloyd	.....	D9/252
487,145	11/1892	Gibbons	.....	24/16 PB
1,829,613	10/1931	Sato	.....	24/16 PB X

1,945,932	2/1934	Caley	.....	24/16 PB
2,637,240	5/1953	McClellan	.....	24/16 PB
2,847,742	8/1958	Oetiker	.....	24/16 PB
3,255,501	6/1966	Laguerre	.....	D9/252 X
3,468,050	9/1969	Pool	.....	24/16 PB
3,913,179	10/1975	Rhee	.....	24/16 PB

Primary Examiner—Robert C. Spangler  
Attorney, Agent, or Firm—Joseph P. Flanagan

[57] CLAIM

The ornamental design for a tie strap, as shown and described.

DESCRIPTION

FIG. 1 is a front elevational view of a tie strap showing my new design, the opposite side being the same in appearance; and

FIG. 2 is a front perspective view thereof.

The tie strap is shown broken away to indicate indeterminate length.

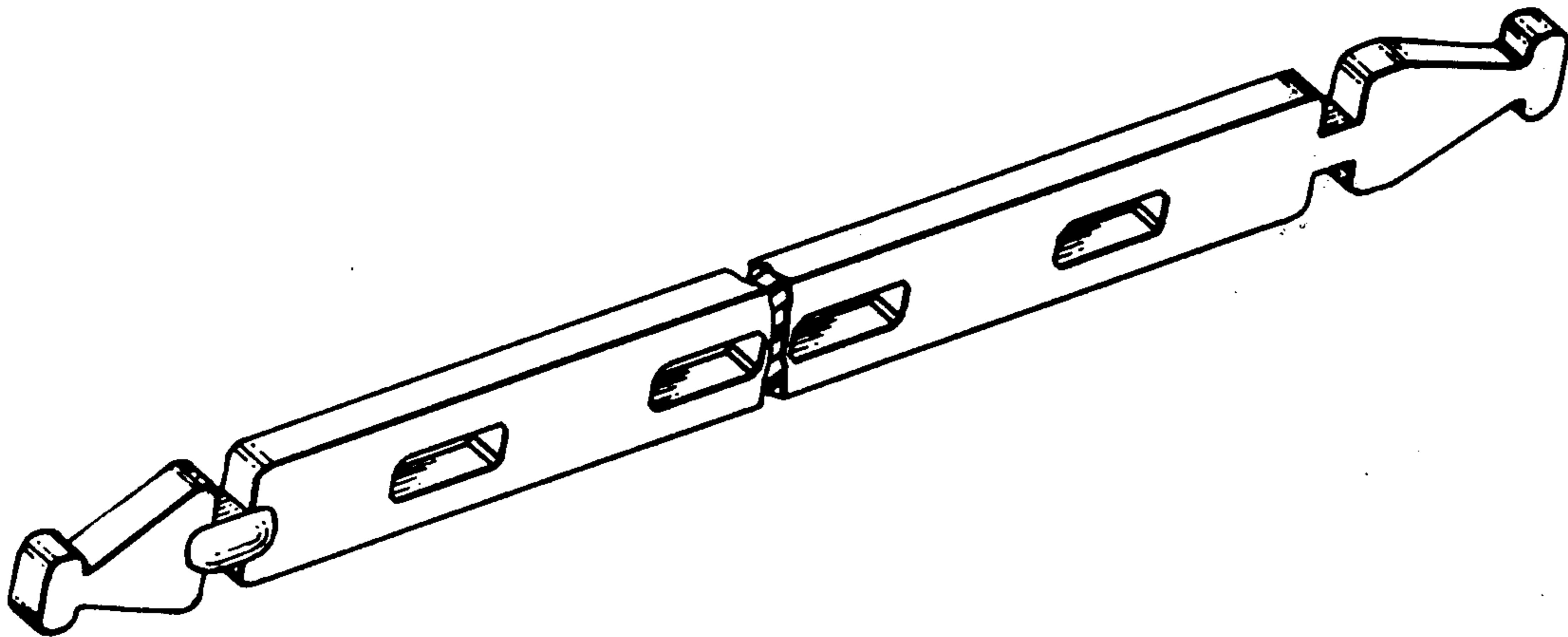




FIG. 1.

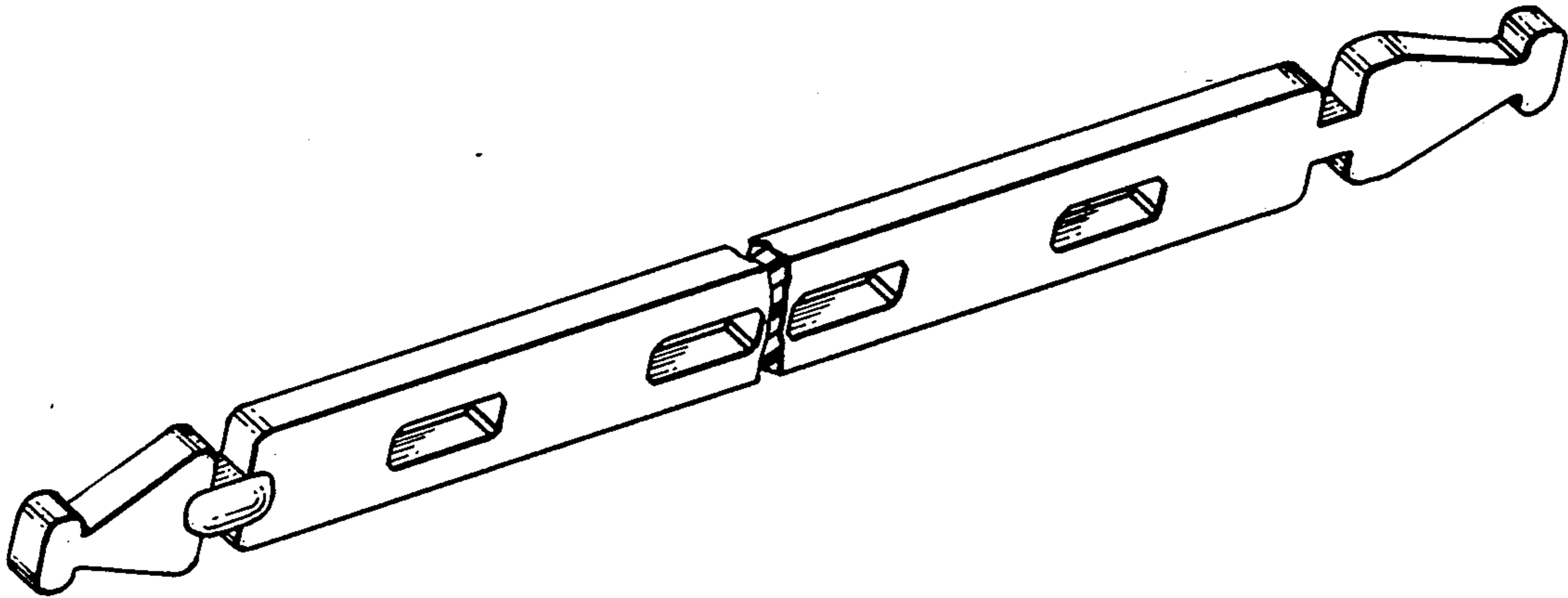


FIG. 2.