

[54] BOTTLE OR SIMILAR ARTICLE

[75] Inventor: Adam J. Grodin, Forest Hills, N.Y.

[73] Assignee: American Cyanamid Company, Stamford, Conn.

[\*\*] Term: 14 Years

[21] Appl. No.: 769,135

[22] Filed: Feb. 15, 1977

[51] Int. Cl. .... D9-01

[52] U.S. Cl. .... D9/168

[58] Field of Search ..... D9/129, 130, 167, 168, D9/254, 284-287; 215/1 R, 1 C

[56] References Cited

U.S. PATENT DOCUMENTS

D. 214,877 8/1969 Biallo et al. .... D9/168  
D. 233,415 10/1974 Stock ..... D9/168 X

OTHER PUBLICATIONS

Beauty Fashion Jul./Aug. 1976, p. 63, Bottle in Illustration in lower right.

Beauty Fashion Oct./Nov. 1975, p. 41, Third Bottle from left.

Primary Examiner—Robert C. Spangler  
Attorney, Agent, or Firm—Charles J. Fickey

[57] CLAIM

The ornamental design for a bottle or similar article, substantially as shown and described.

DESCRIPTION

FIG. 1 is a top plan view of a bottle or similar article showing my new design;

FIG. 2 is a front elevational view thereof, the back being identical to the front;

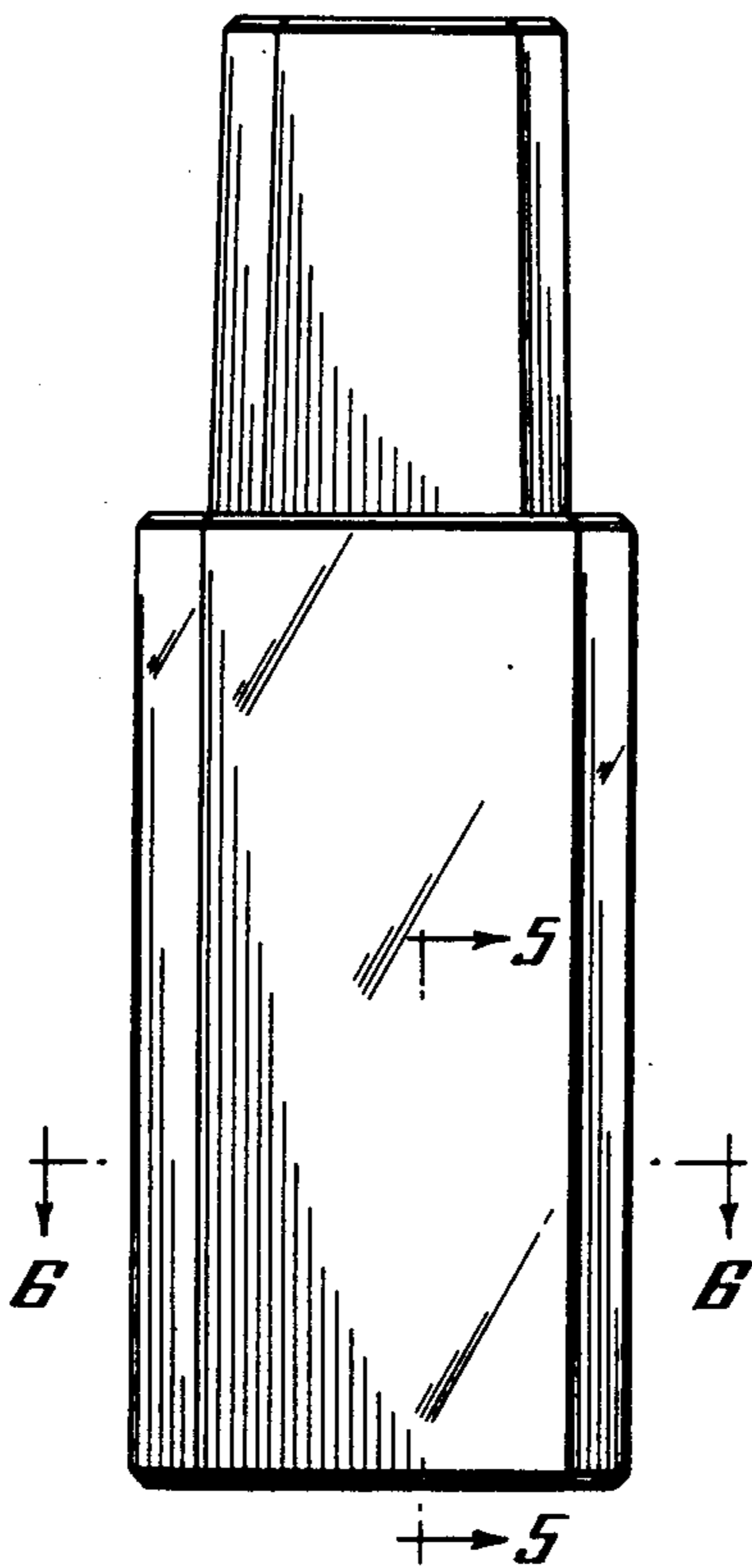
FIG. 3 is a bottom view thereof;

FIG. 4 is a side elevational view thereof, both sides being identical;

FIG. 5 is a fragmentary sectional view taken on the line 5-5 of FIG. 2; and

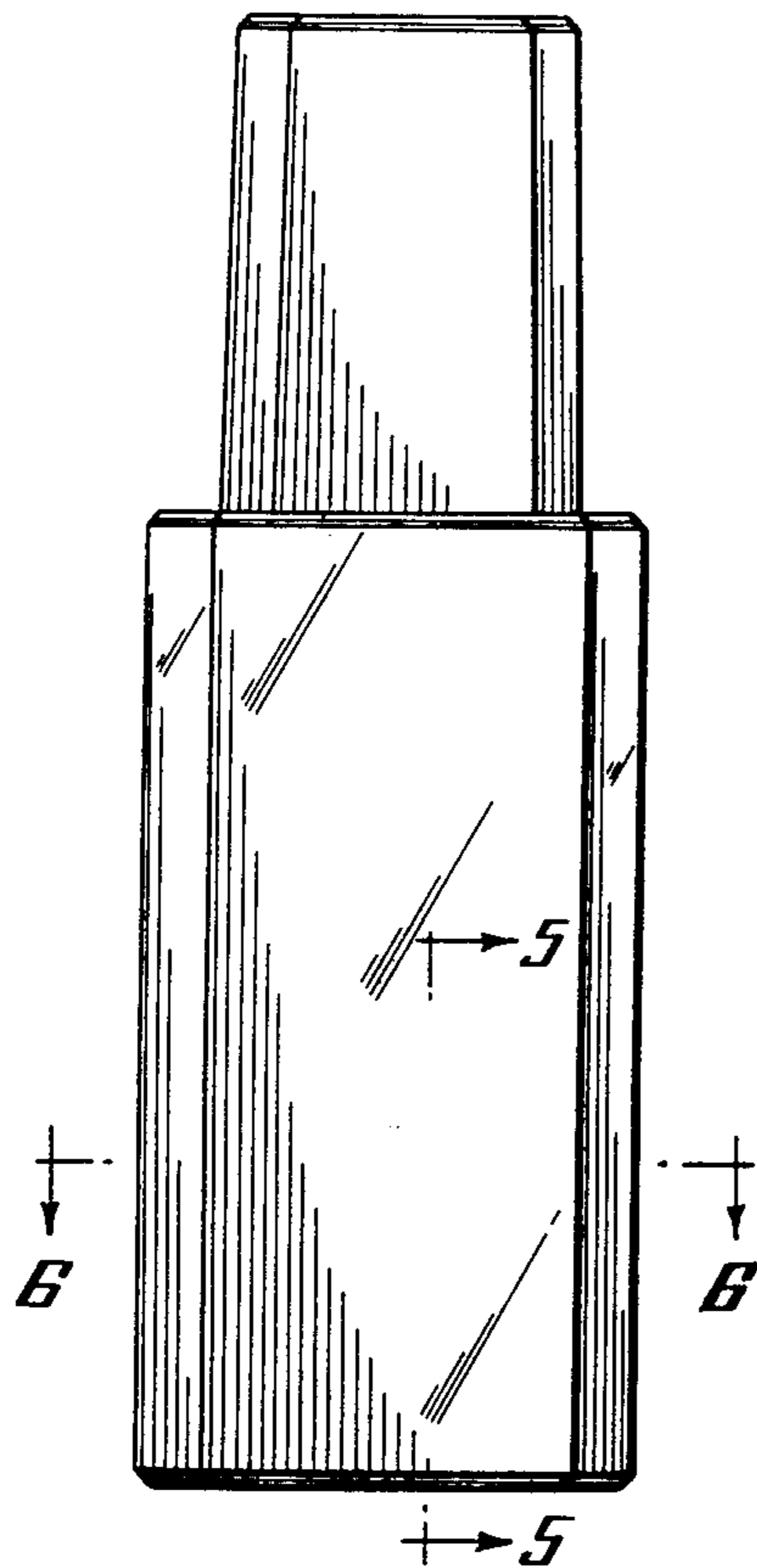
FIG. 6 is a cross-sectional view taken on the line 6-6 of FIG. 2.

All beveled surfaces are plane surfaces.

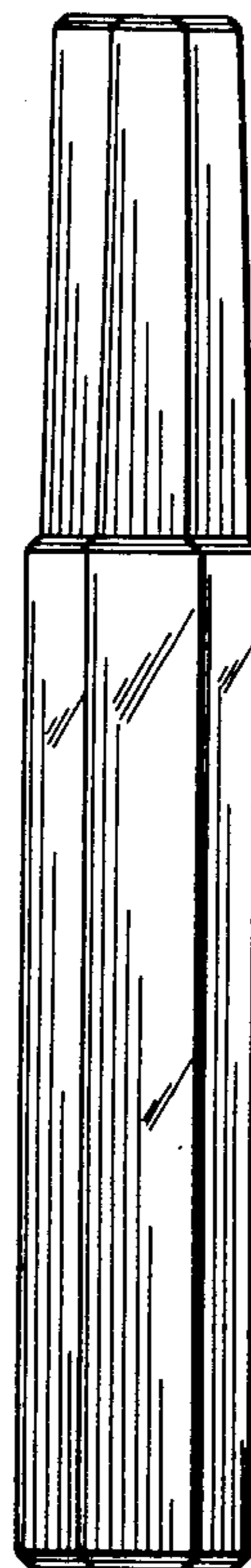




*FIG. 1*



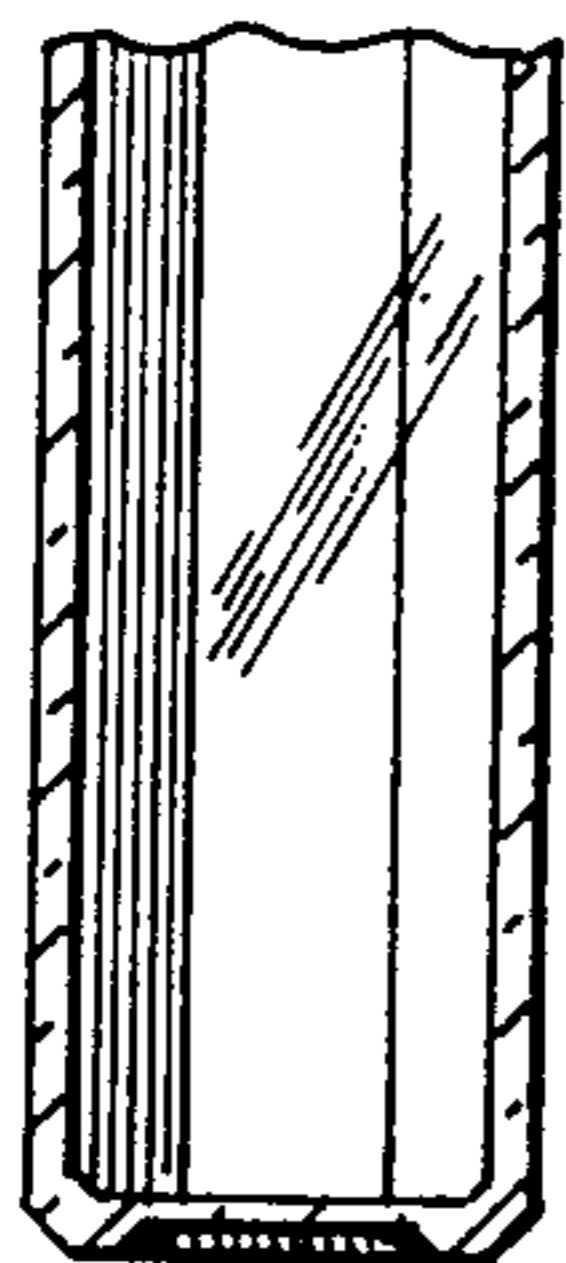
*FIG. 2*



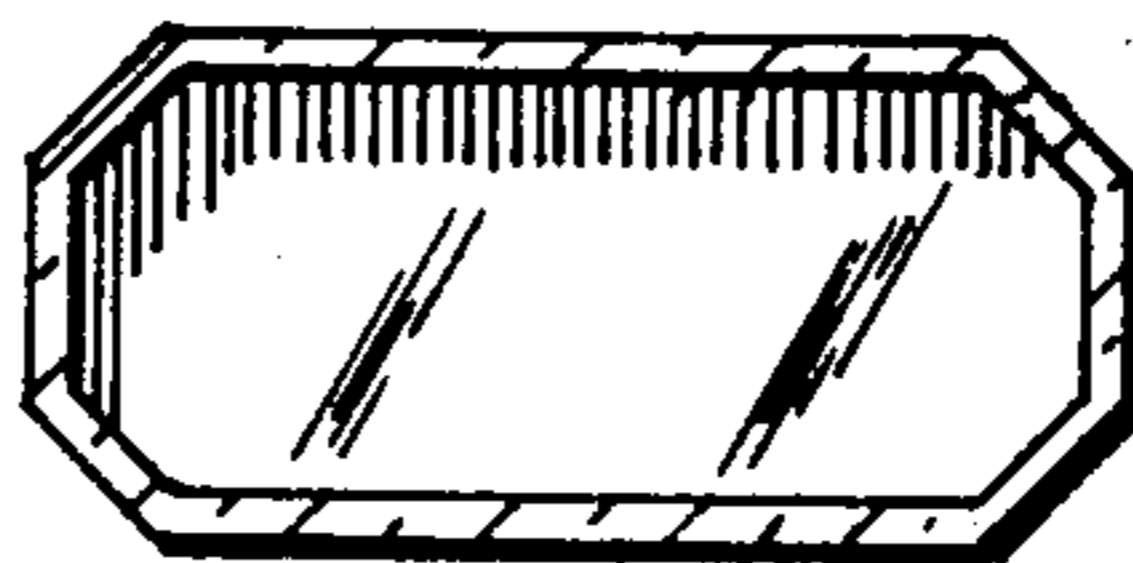
*FIG. 4*



*FIG. 3*



*FIG. 5*



*FIG. 6*