

[54] BOTTLE OR SIMILAR ARTICLE

[75] Inventor: Adam J. Grodin, Forest Hills, N.Y.

[73] Assignee: American Cyanamid Company, Stamford, Conn.

[\*\*] Term: 14 Years

[21] Appl. No.: 844,249

[22] Filed: Oct. 21, 1977

[51] Int. Cl. .... D9-01

[52] U.S. Cl. .... D9/129

[58] Field of Search ..... D9/129, 130, 167, 168; 215/1 R, 1 C

[56] References Cited

U.S. PATENT DOCUMENTS

D. 64,659	5/1924	Daltroff	.....	D9/130
D. 94,010	12/1934	Westlake	.....	D9/130
D. 107,688	12/1937	Lloyd	.....	D9/167
D. 152,473	1/1949	Heim	.....	D9/168

D. 222,960	2/1972	Avedon	.....	D9/168
D. 235,735	7/1975	Dinand	.....	D9/168

Primary Examiner—Robert C. Spangler  
Attorney, Agent, or Firm—Charles J. Fickey

[57] CLAIM

The ornamental design for a bottle or similar article, substantially as shown and described.

DESCRIPTION

FIG. 1 is a top plan view of a bottle or similar article showing my new design;

FIG. 2 is a front view in elevation thereof, the back view being identical to the front;

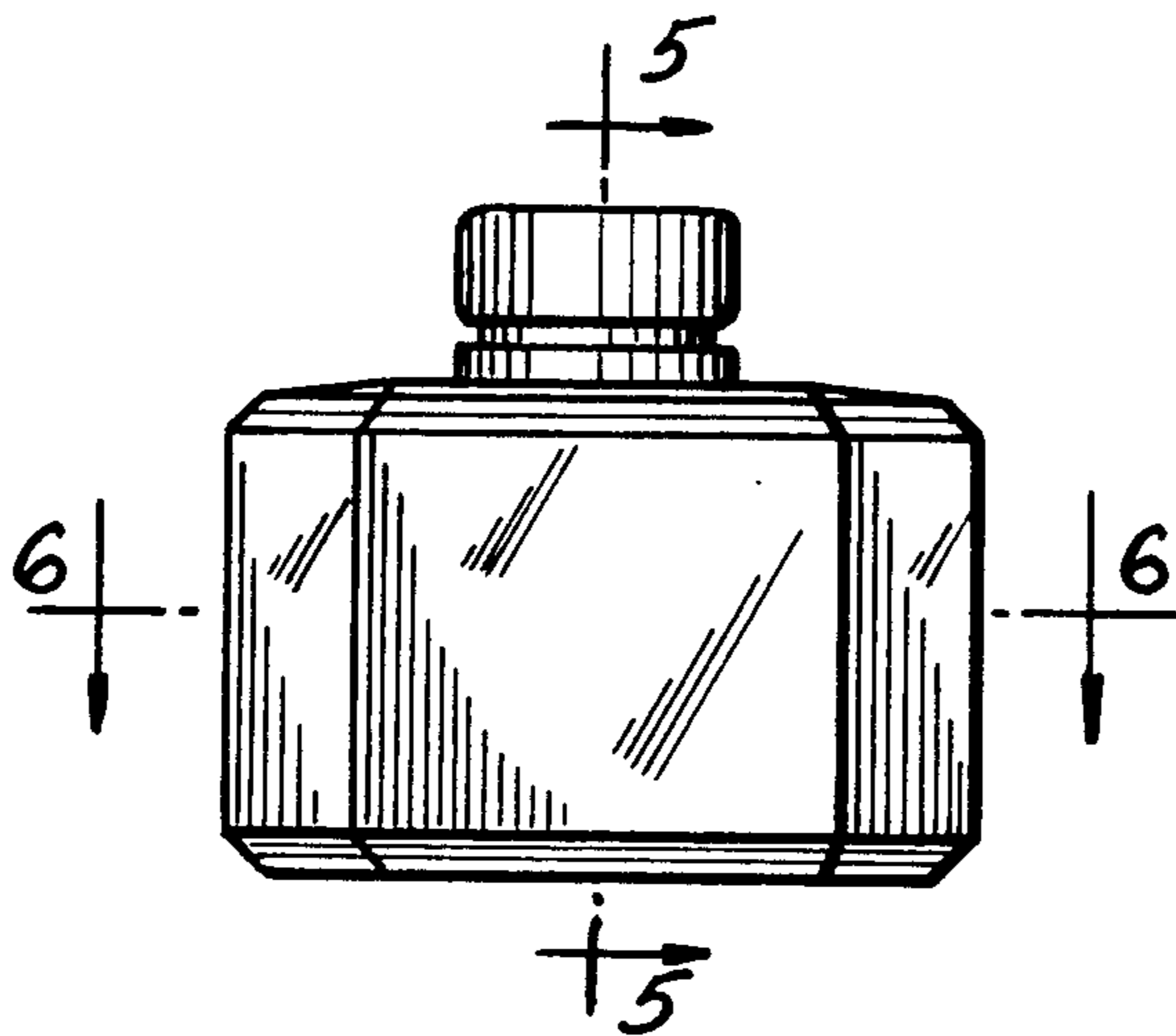
FIG. 3 is a bottom plan view thereof;

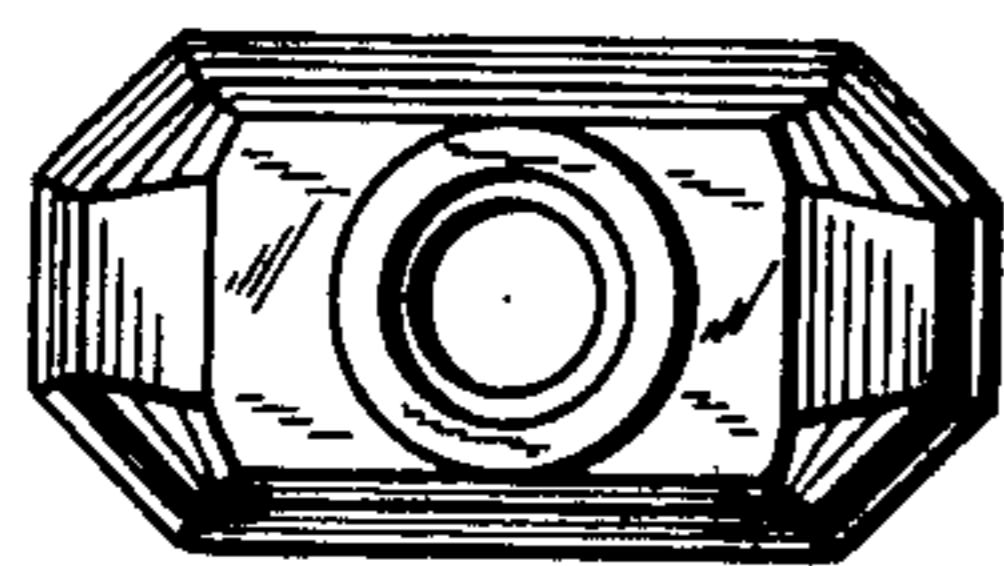
FIG. 4 is a side view in elevation, each side being identical;

FIG. 5 is a cross-sectional view thereof taken along the lines 5-5 of FIG. 2; and

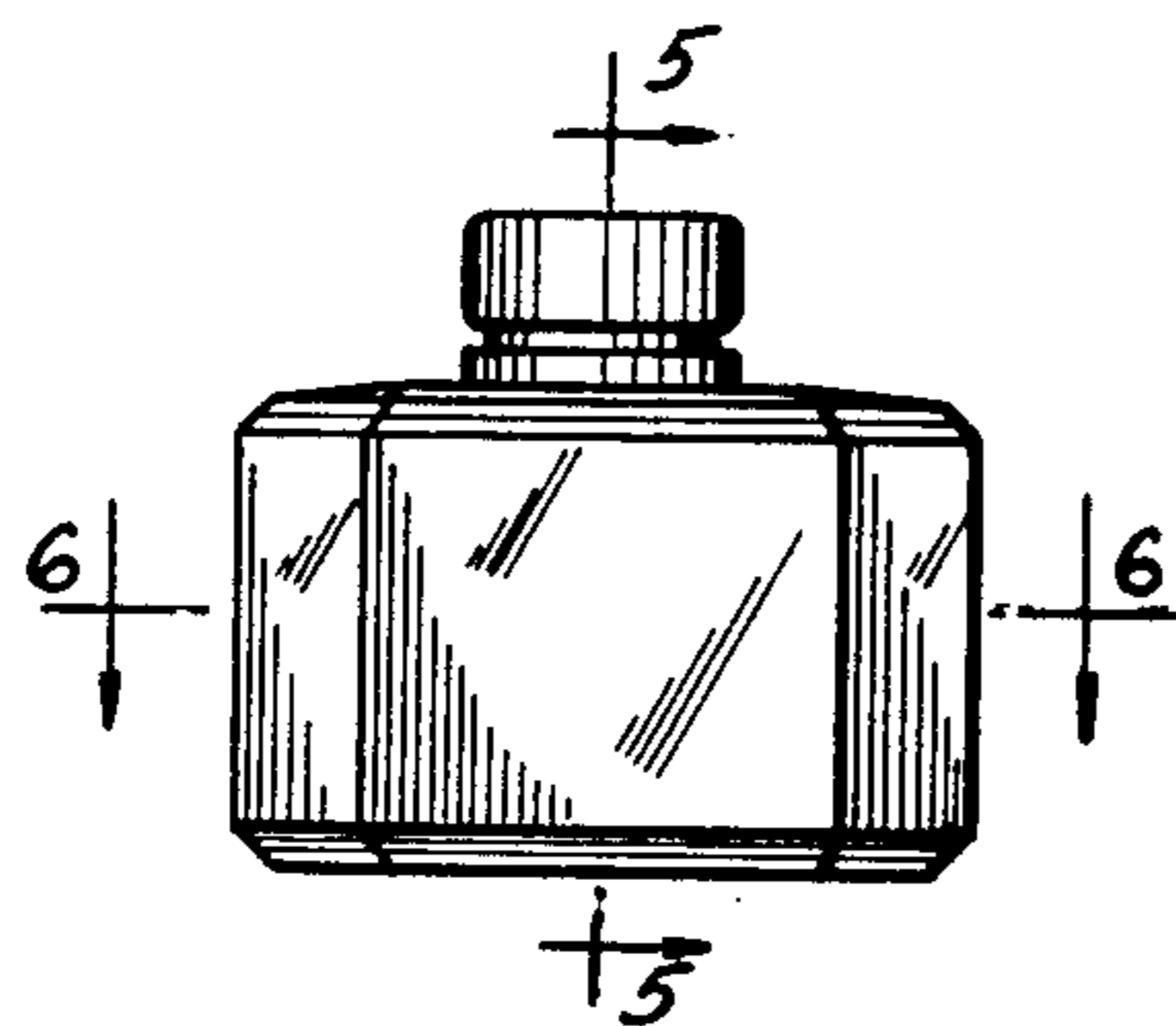
FIG. 6 is a cross-sectional view thereof taken along the lines 6-6 of FIG. 2.

All beveled surfaces are plane surfaces.





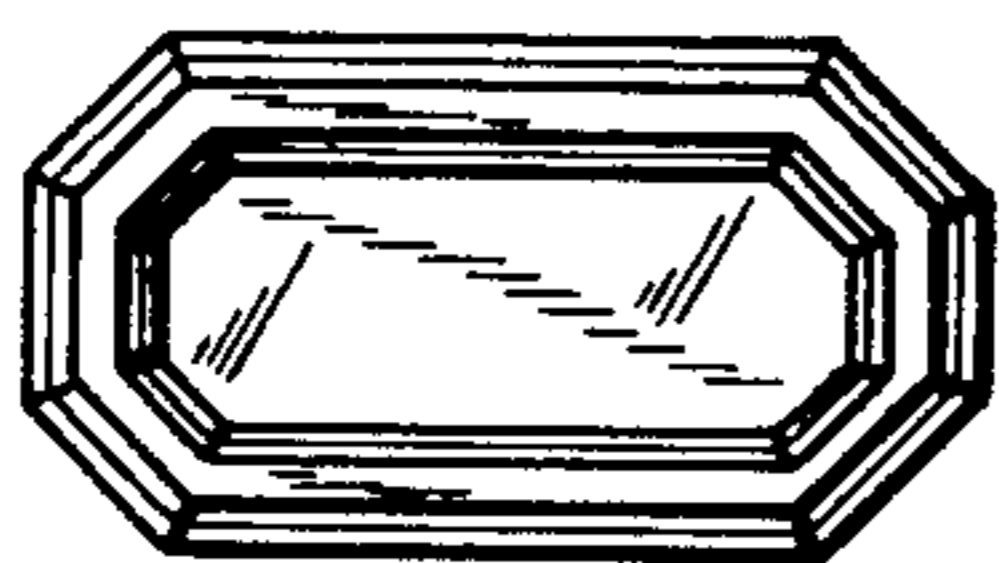
*FIG. 1*



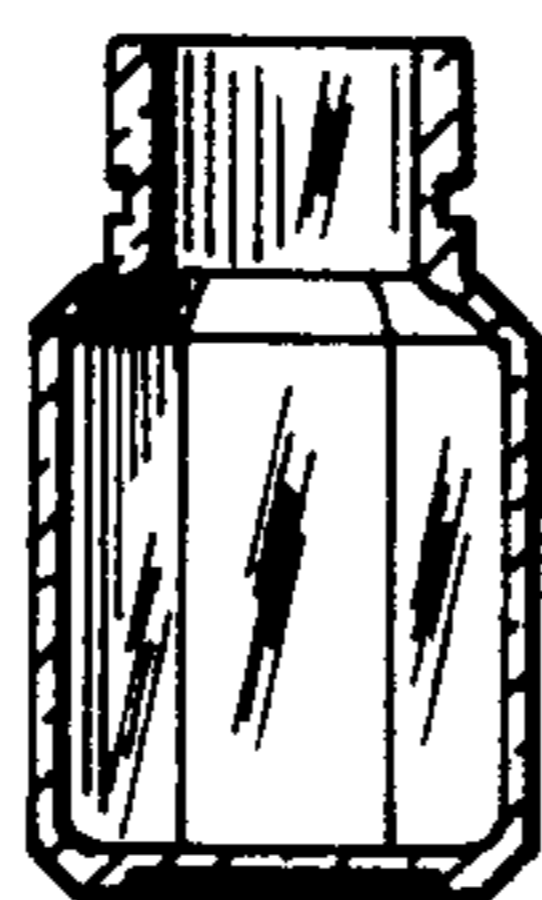
*FIG. 2*



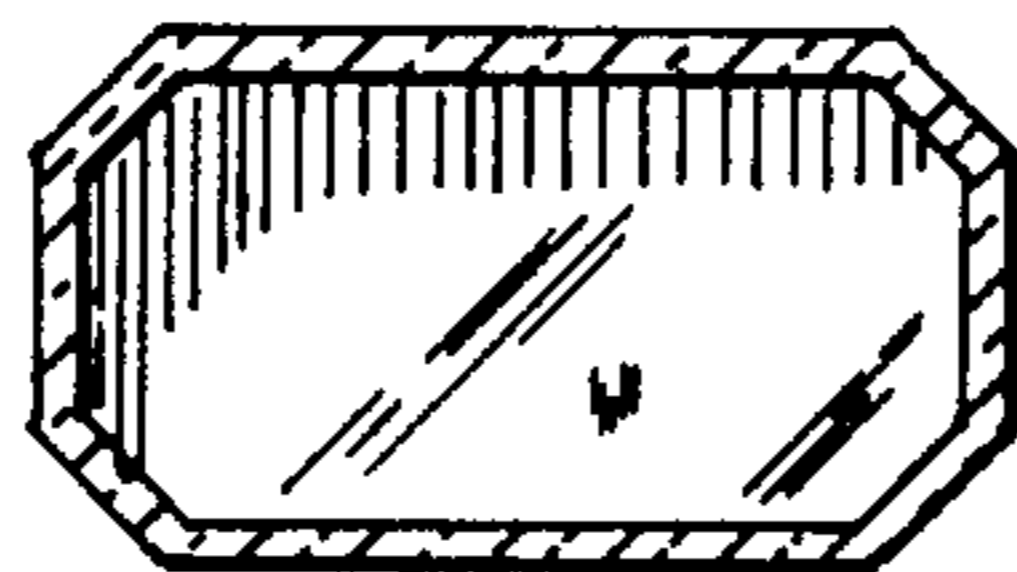
*FIG. 4*



*FIG. 3*



*FIG. 5*



*FIG. 6*