

[54] COMBINED FLOOR ANCHOR PLATE AND HOOK

[76] Inventor: William J. Meis, 6 Valley Dr., Crescent, Iowa 51526

[\*\*] Term: 14 Years

[21] Appl. No.: 811,030

[22] Filed: Jun. 29, 1977

[51] Int. Cl. .... D8-08

[52] U.S. Cl. .... D8/367

[58] Field of Search ..... D8/367, 371; D12/155; 24/230.5 R, 230.5 TP; 280/179 R; 294/82 R, 78 R; 248/499, 500, 503

[56] References Cited

U.S. PATENT DOCUMENTS

D. 226,167 1/1973 Del Ponte ..... D8/367

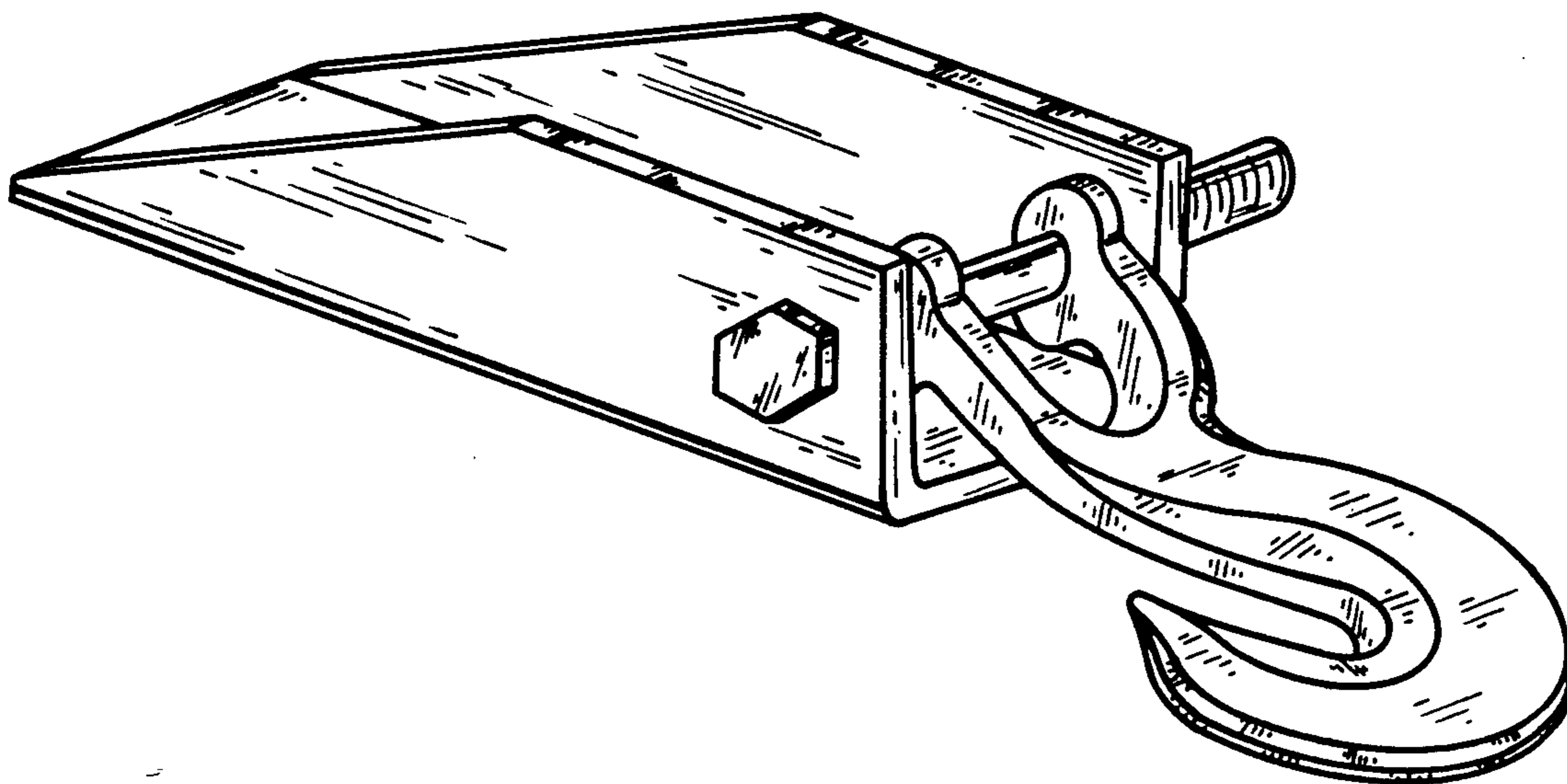
Primary Examiner—James M. Gandy  
Attorney, Agent, or Firm—Louis J. Strom

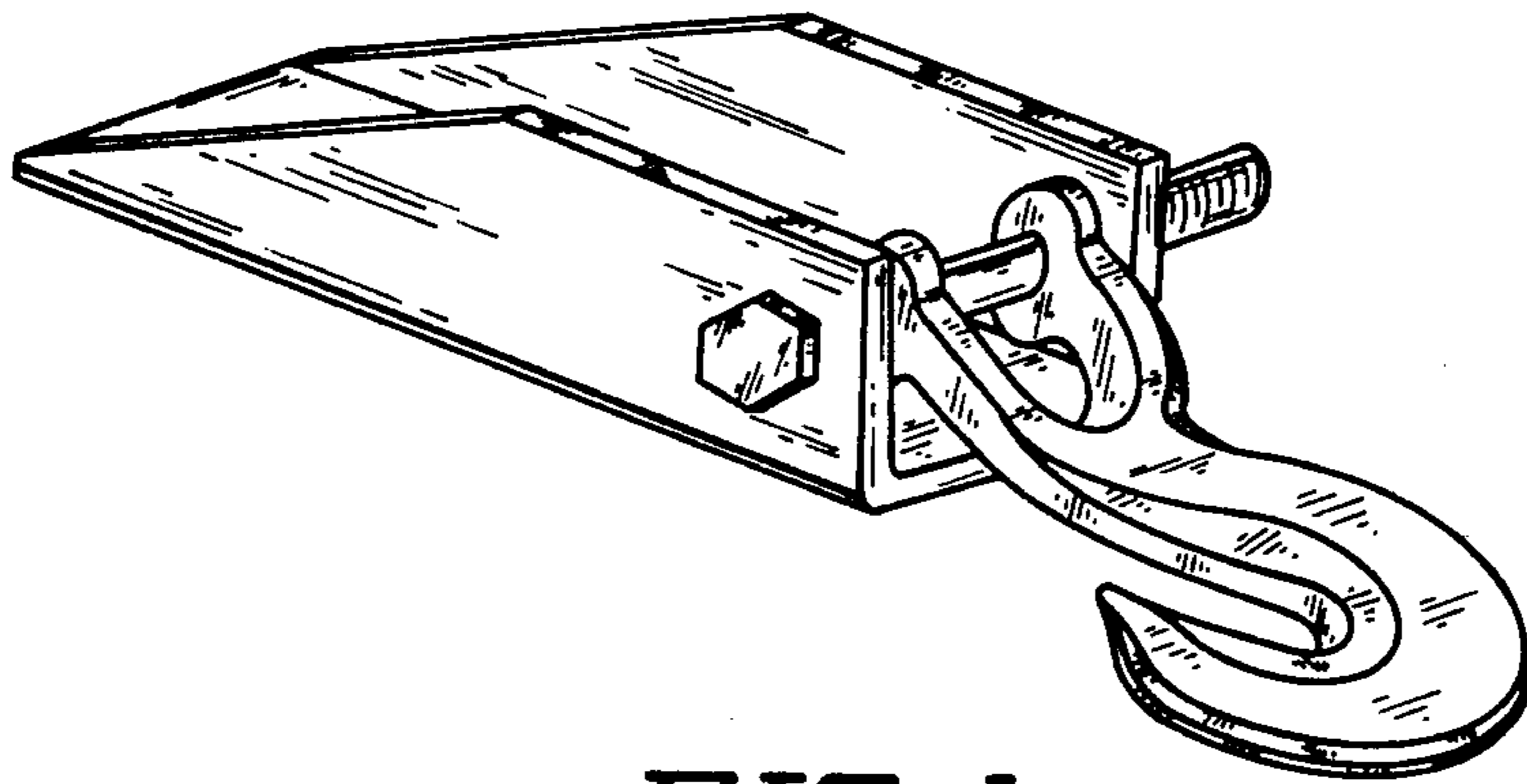
[57] CLAIM

The ornamental design for a combined floor anchor plate and hook, substantially as shown.

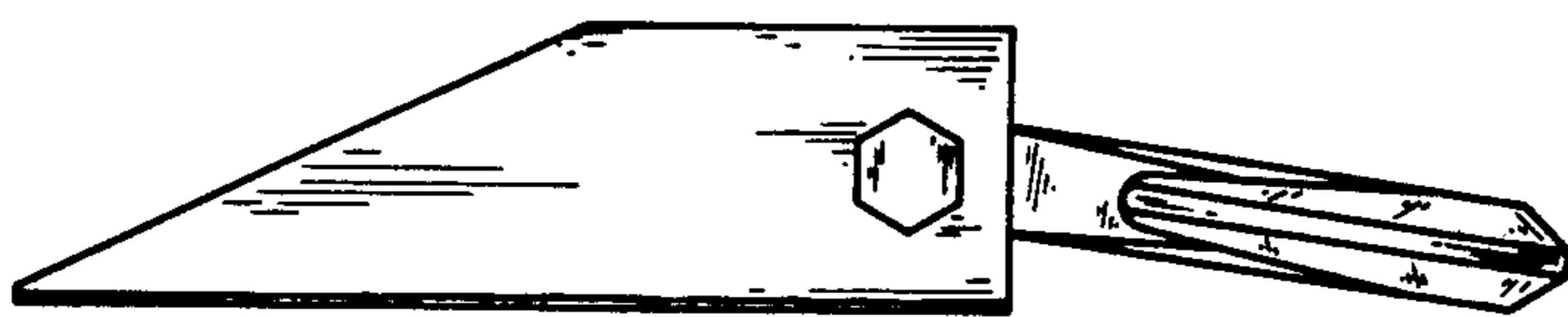
DESCRIPTION

FIG. 1 is a perspective view of the combined floor anchor plate and hook showing my new design; FIG. 2 is a right side elevational view thereof; FIG. 3 is a top plan view thereof; FIG. 4 is a left side elevational view thereof; and FIG. 5 is a bottom plan view thereof.

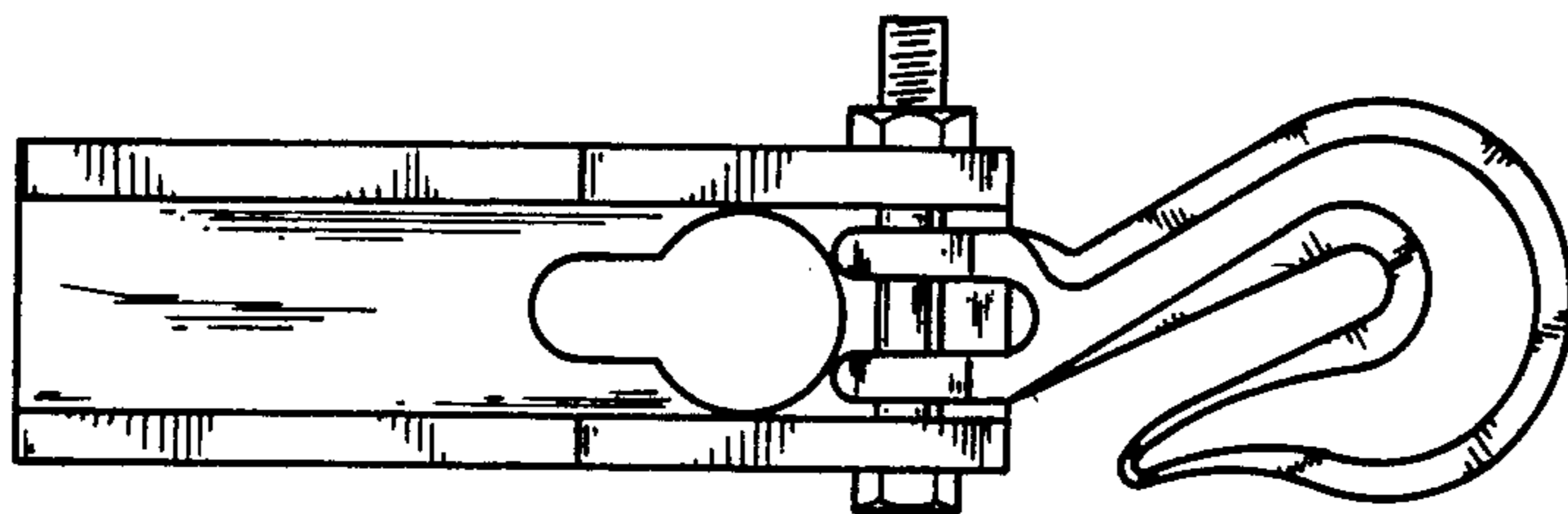




*FIG. 1*



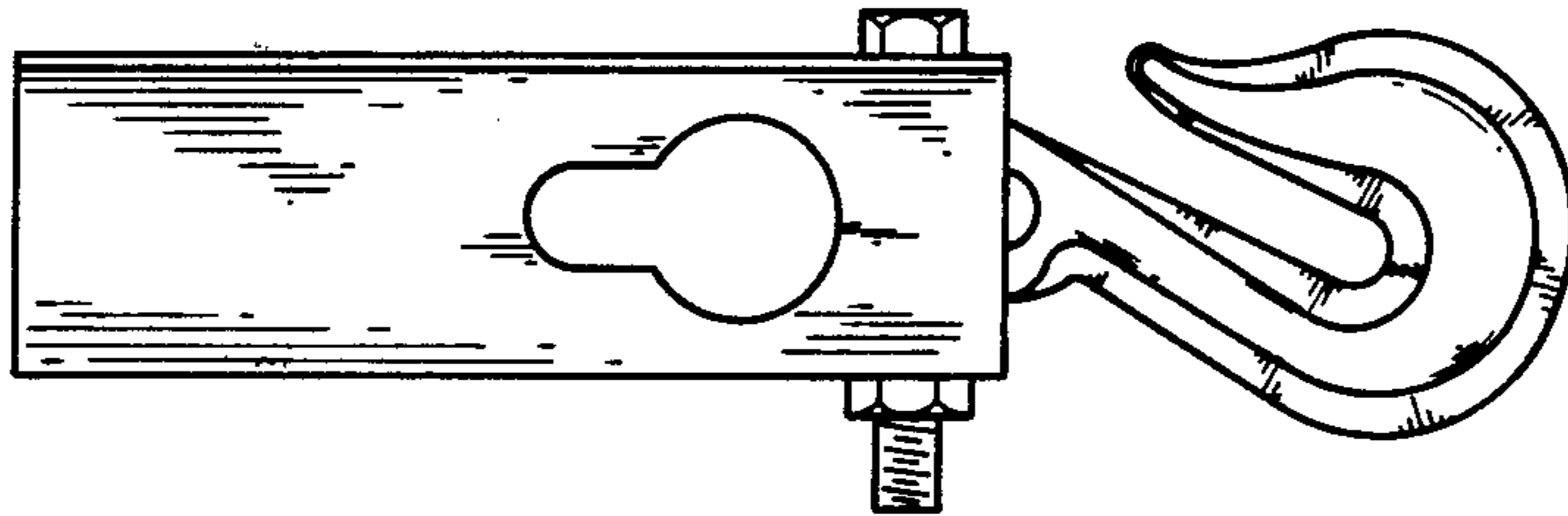
*FIG. 2*



*FIG. 3*



*FIG. 4*



*FIG. 5*