

[54] CABINET OR SIMILAR ARTICLE
[76] Inventor: Tad Taylor, 31 Byram Shore Rd.,
Byram, Conn. 06830
[**] Term: 14 Years
[21] Appl. No.: 781,705
[22] Filed: Mar. 28, 1977
[51] Int. Cl. D6-04
[52] U.S. Cl. D6/154
[58] Field of Search D6/1, 5-15,
D6/85, 147-149, 151-154, 193, 195, 202

[56] References Cited
U.S. PATENT DOCUMENTS
D. 163,111 5/1951 Gibbon D6/153
D. 167,632 9/1952 Jackson D6/5 X
D. 190,951 7/1961 Swaney D6/5

D. 190,999 8/1961 Mykleby D6/5
D. 196,470 10/1963 Hendley D6/153

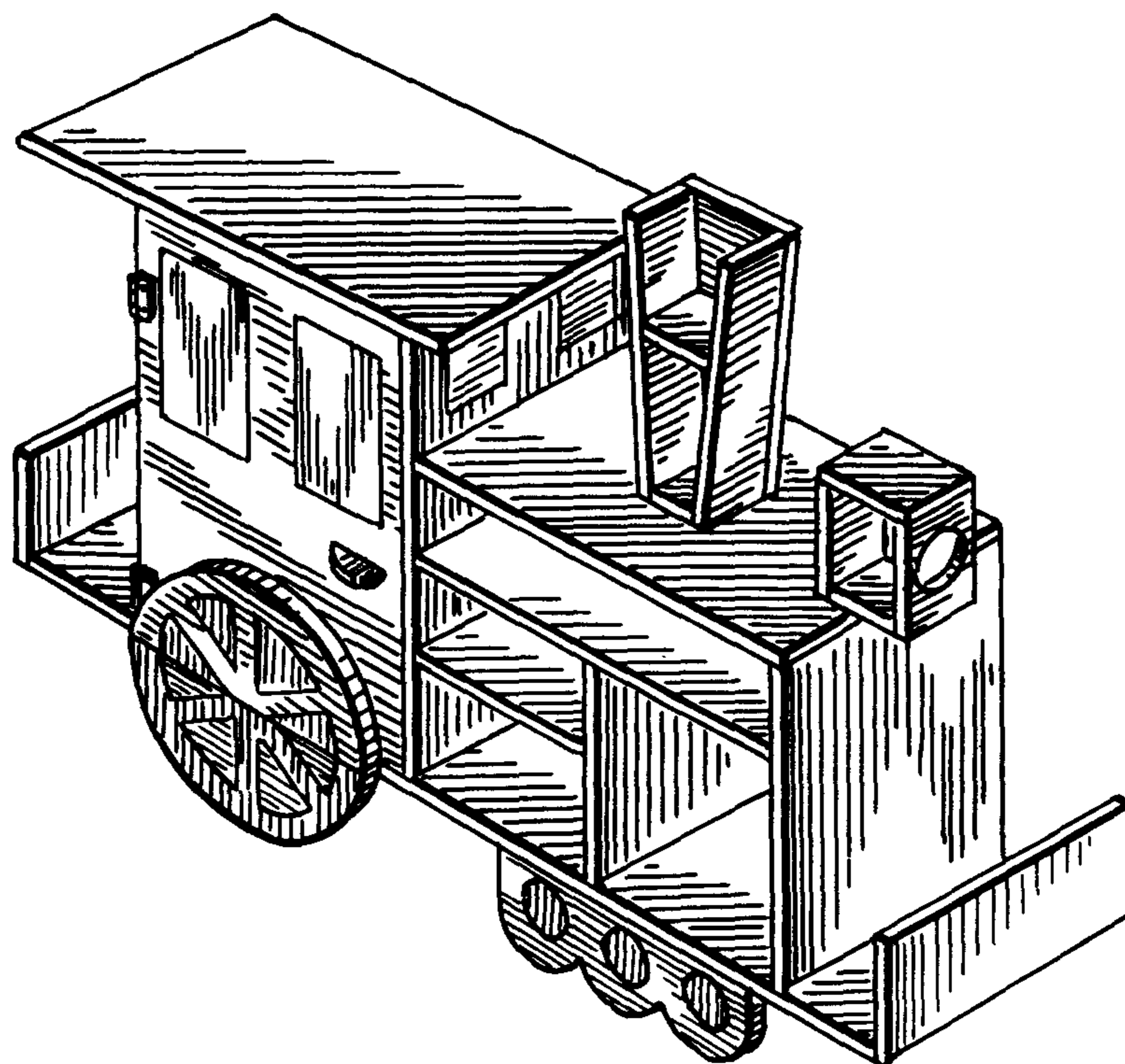
Primary Examiner—Bruce W. Dunkins
Attorney, Agent, or Firm—Alfred E. Miller

[57] CLAIM

The ornamental design for a cabinet or similar article, as shown.

DESCRIPTION

FIG. 1 is a front perspective view of a cabinet or similar article embodying my new design;
FIG. 2 is a top plan view of the cabinet or similar article shown in FIG. 1;
FIG. 3 is an elevation view thereof;
FIG. 4 is a front side elevation view thereof;
FIG. 5 is a rear elevation view thereof;
FIG. 6 is a rear side elevation view thereof; and
FIG. 7 is a bottom plan view thereof.



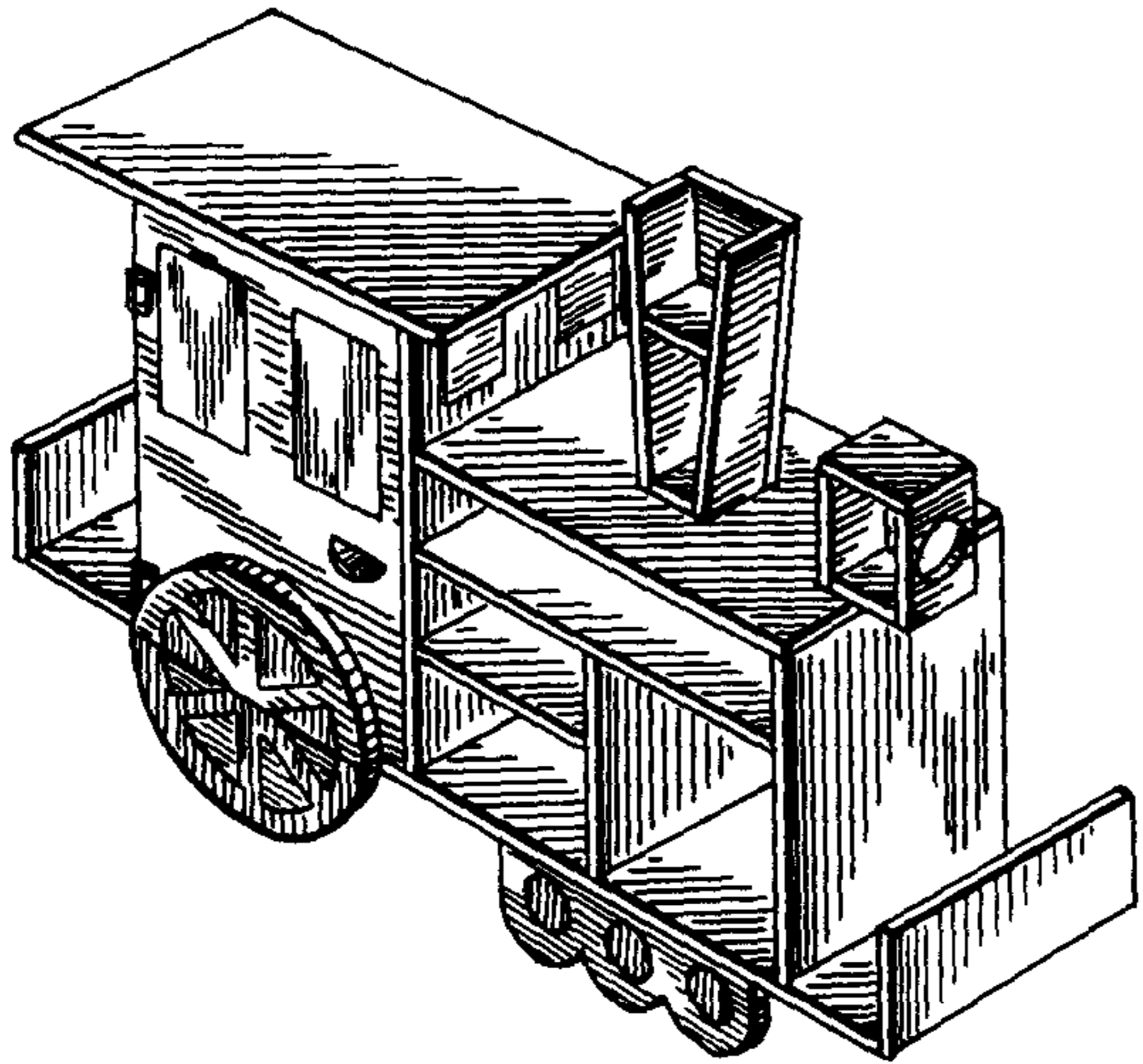


Fig. 1.

Fig. 2.

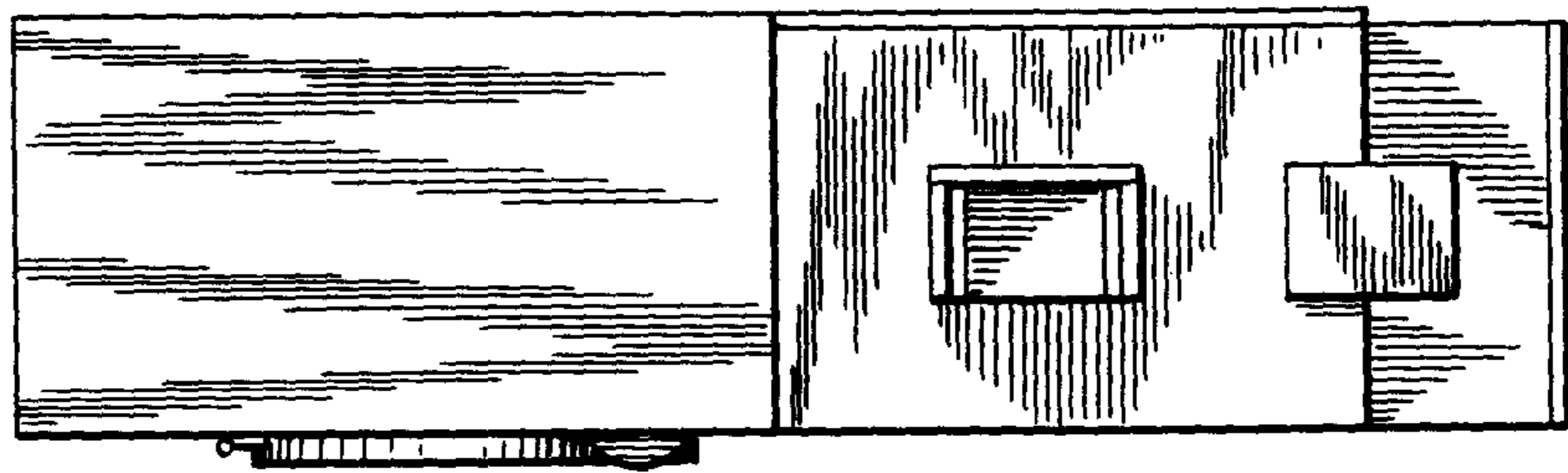


Fig. 3.

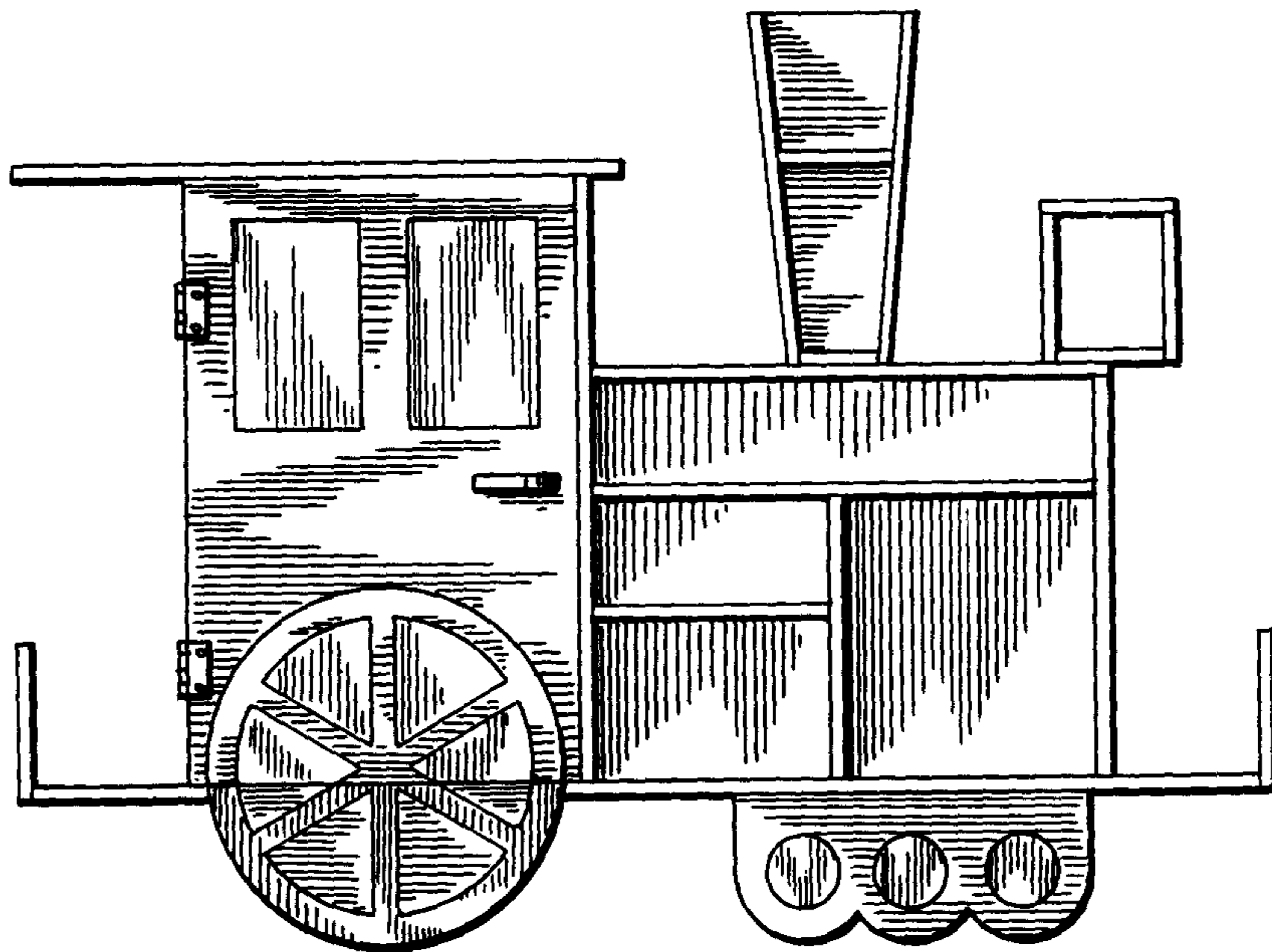


Fig. 6.

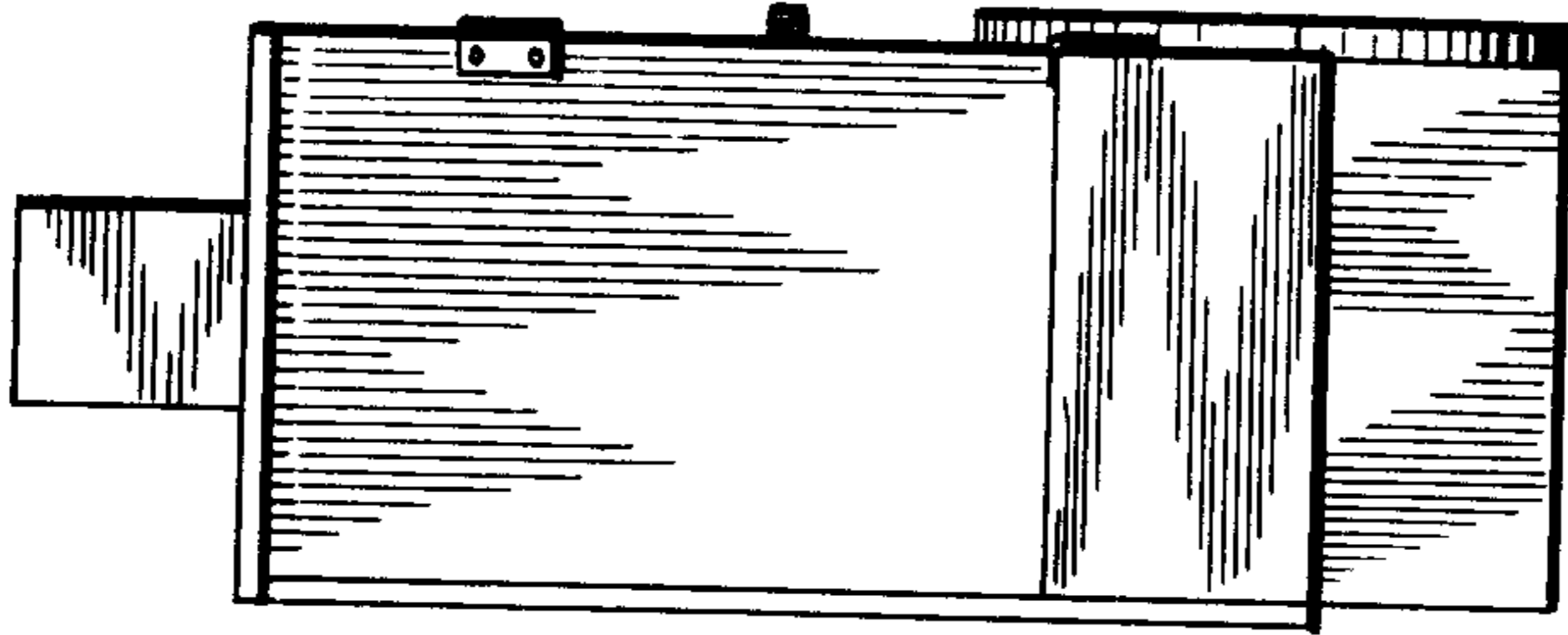


Fig. 5.

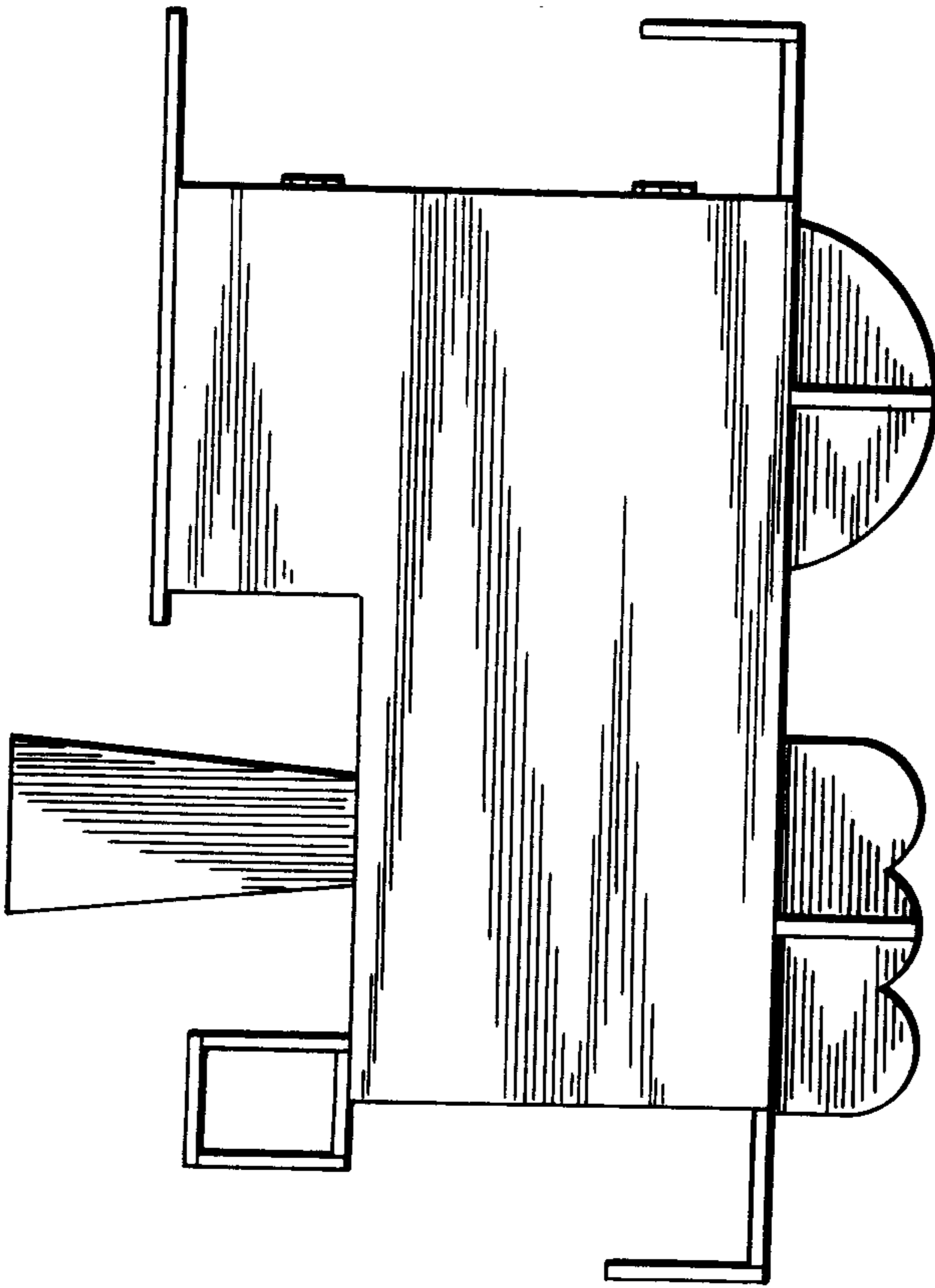


Fig. 4.

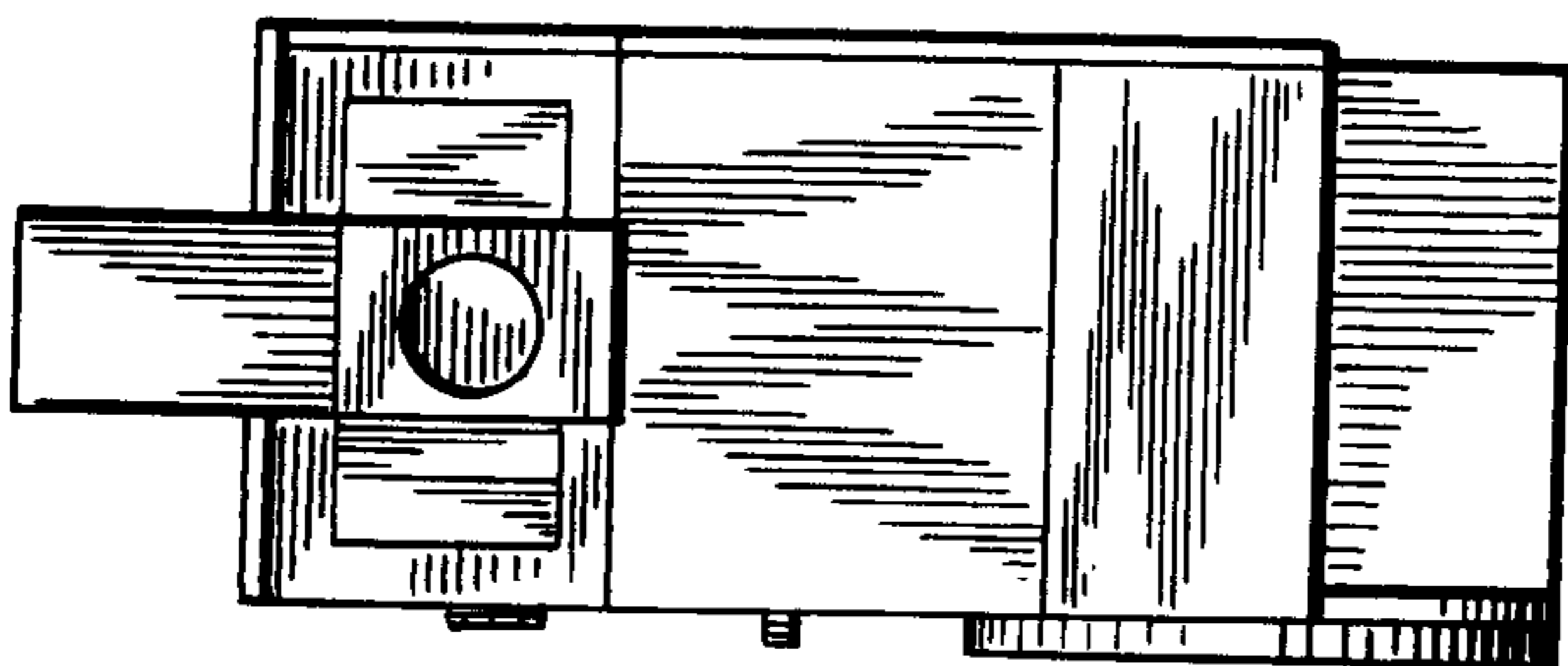


Fig. 7.

