

[54] SMALL ARMS STORAGE CONTAINER

[76] Inventor: David M. Cole, 4529 Royal Oak Dr.,
Roanoke, Va. 24014

[**] Term: 14 Years

[21] Appl. No.: 745,447

[22] Filed: Nov. 26, 1976

[51] Int. Cl. D3-99

[52] U.S. Cl. D3/78

[58] Field of Search D87/1 R, 1 D; D9/240,
D9/222; 206/3, 317; 224/1 R; D22/1, 7, 10, 99;
220/315, 324, 210, 229; 109/59 R, 52; 292/271,
272; D99/28

[56] References Cited

U.S. PATENT DOCUMENTS

D. 226,992 5/1973 Bridges D87/1 R
D. 227,517 6/1973 Minneman D87/1 R

D. 234,704 4/1975 Frantz et al. D99/28
D. 242,771 12/1976 Papillon D9/240
3,146,739 9/1964 Furman 109/52
3,465,467 9/1969 Allen 220/315

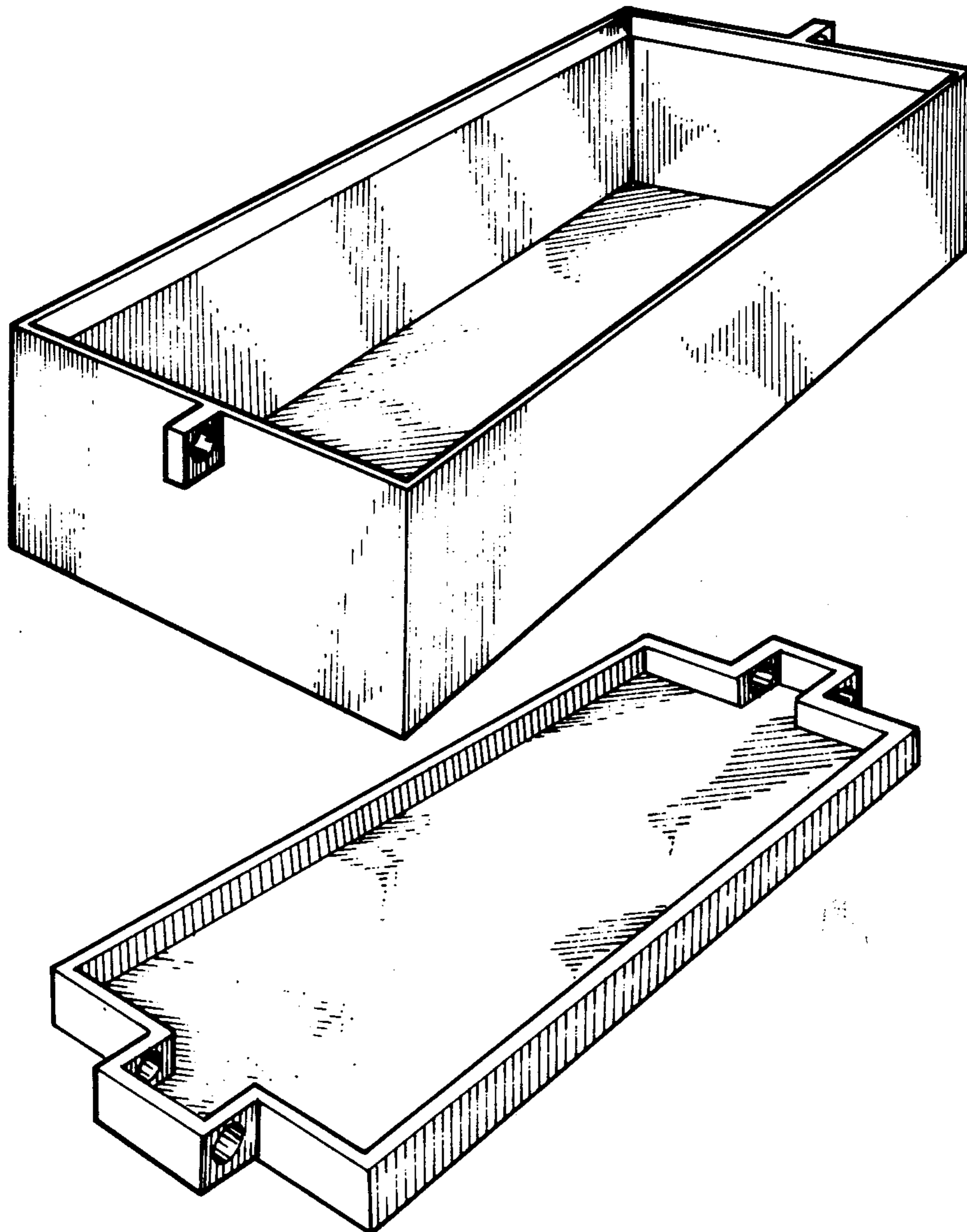
Primary Examiner—Joel Stearman
Assistant Examiner—George P. Word
Attorney, Agent, or Firm—John B. Sponsler

[57] CLAIM

The ornamental design for a small arms storage container, as shown and described.

DESCRIPTION

FIG. 1 is a perspective view of a small arms storage container showing my new design; FIG. 2 is a perspective view thereof with the lid omitted to show the interior and the locking staples; FIG. 3 is a perspective view of the lid; and FIG. 4 is an inverted perspective view of the underside of the lid.



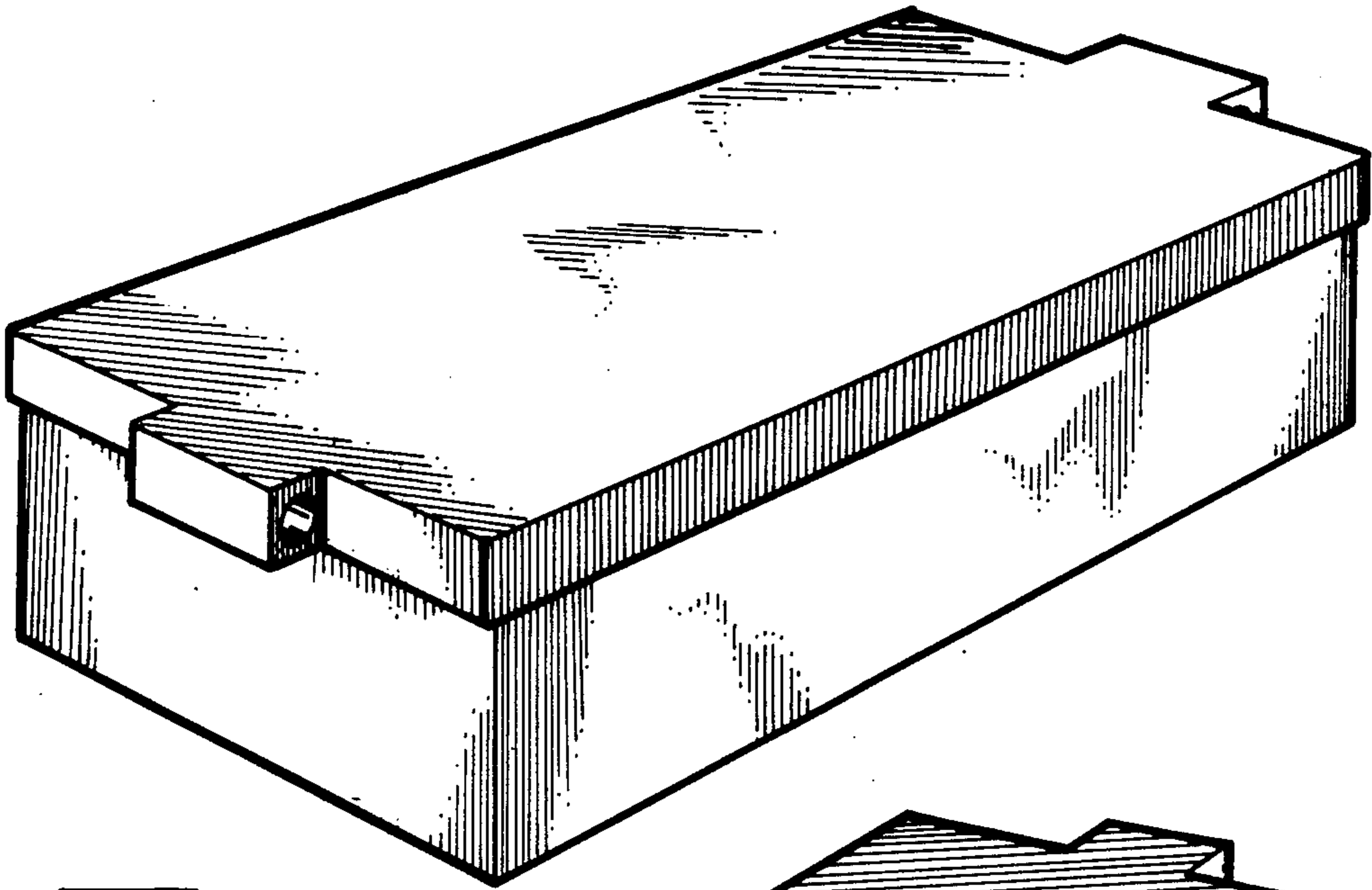


Fig. 1

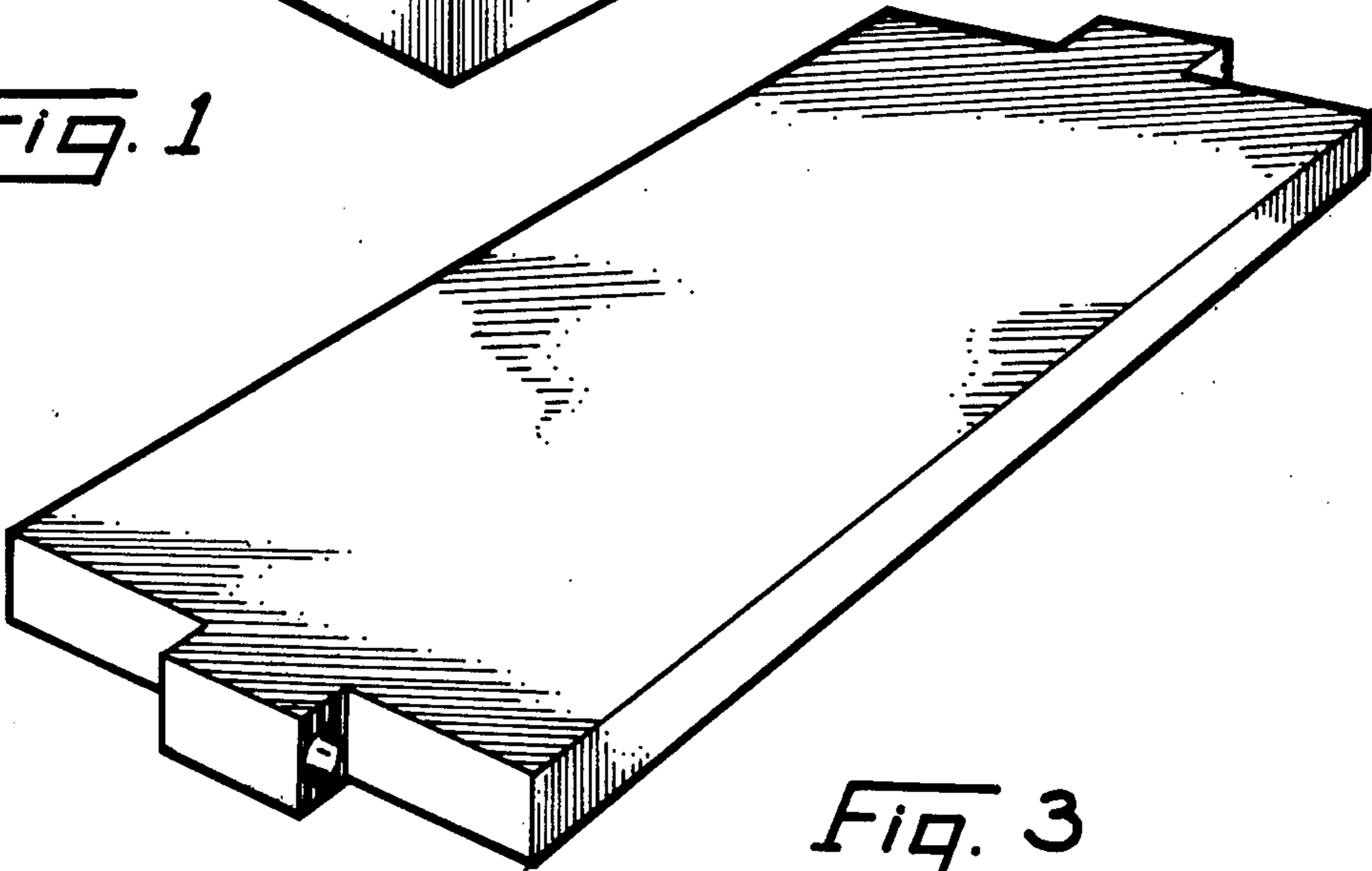


Fig. 3

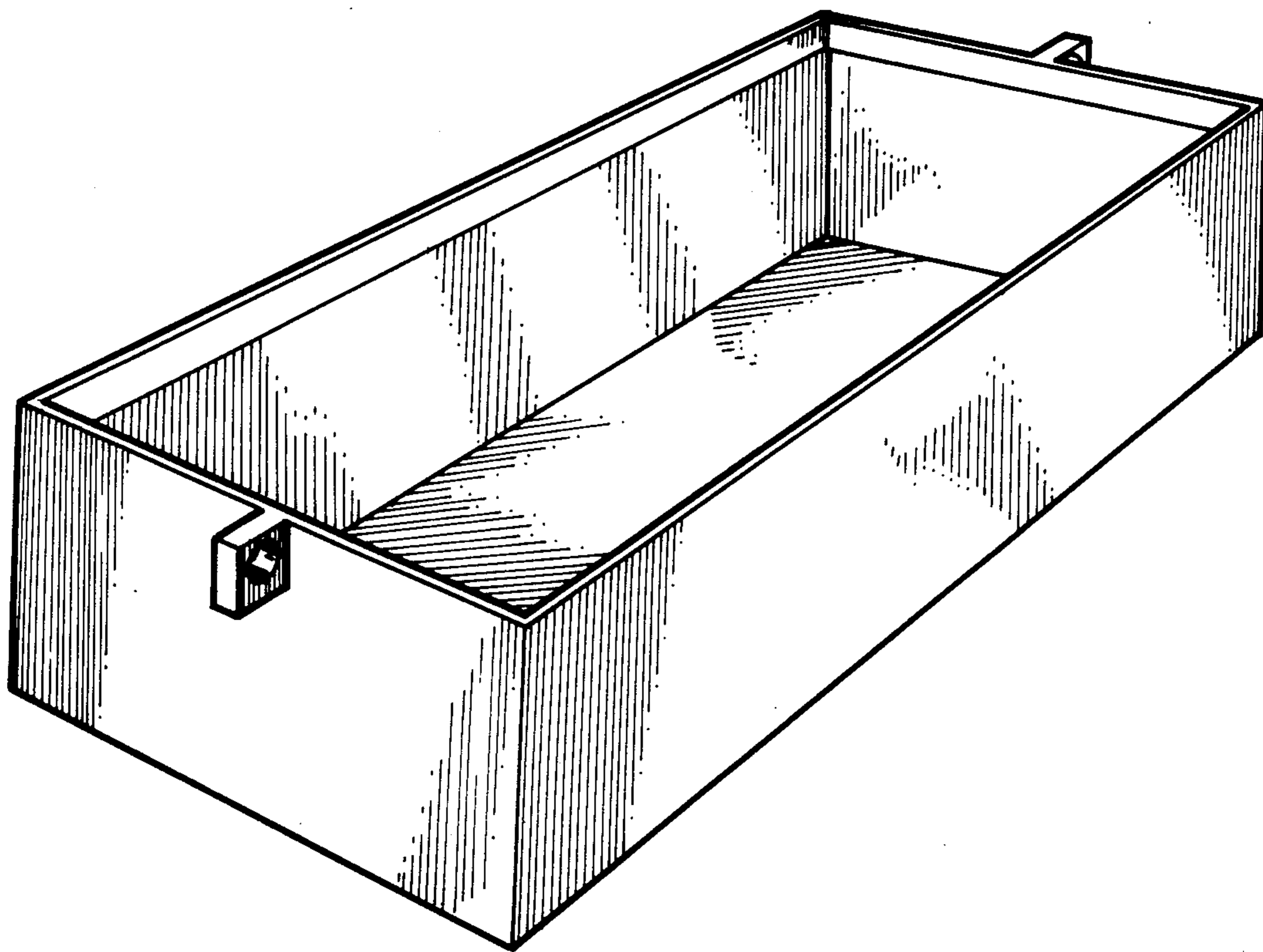


Fig. 2

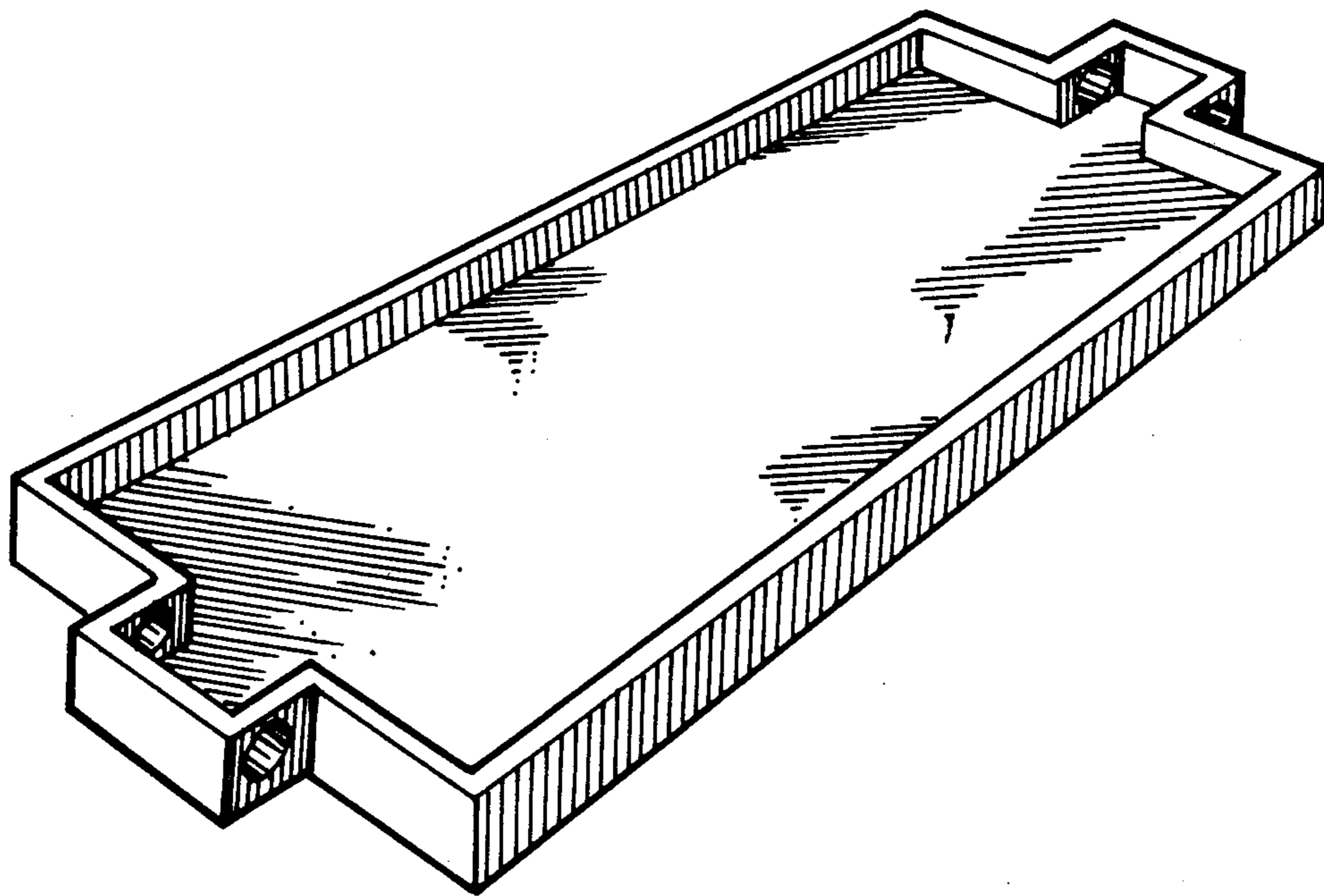


Fig 4