

[54] GOLF TEE

[76] Inventor: Arthur S. Bradley, 342 N. 116th St., Wauwatosa, Wis. 53226

[\*\*] Term: 14 Years

[21] Appl. No.: 844,072

[22] Filed: Oct. 20, 1977

[51] Int. Cl. .... D21-02

[52] U.S. Cl. .... D21/208

[58] Field of Search ..... D34/5 GT; 273/33, 209

[56] References Cited

U.S. PATENT DOCUMENTS

D. 161,283 12/1950 Rogers ..... D34/5 GT  
1,596,110 8/1926 Lynch ..... D34/5 GT

2,128,049 8/1938 Karkoska ..... D34/5 GT

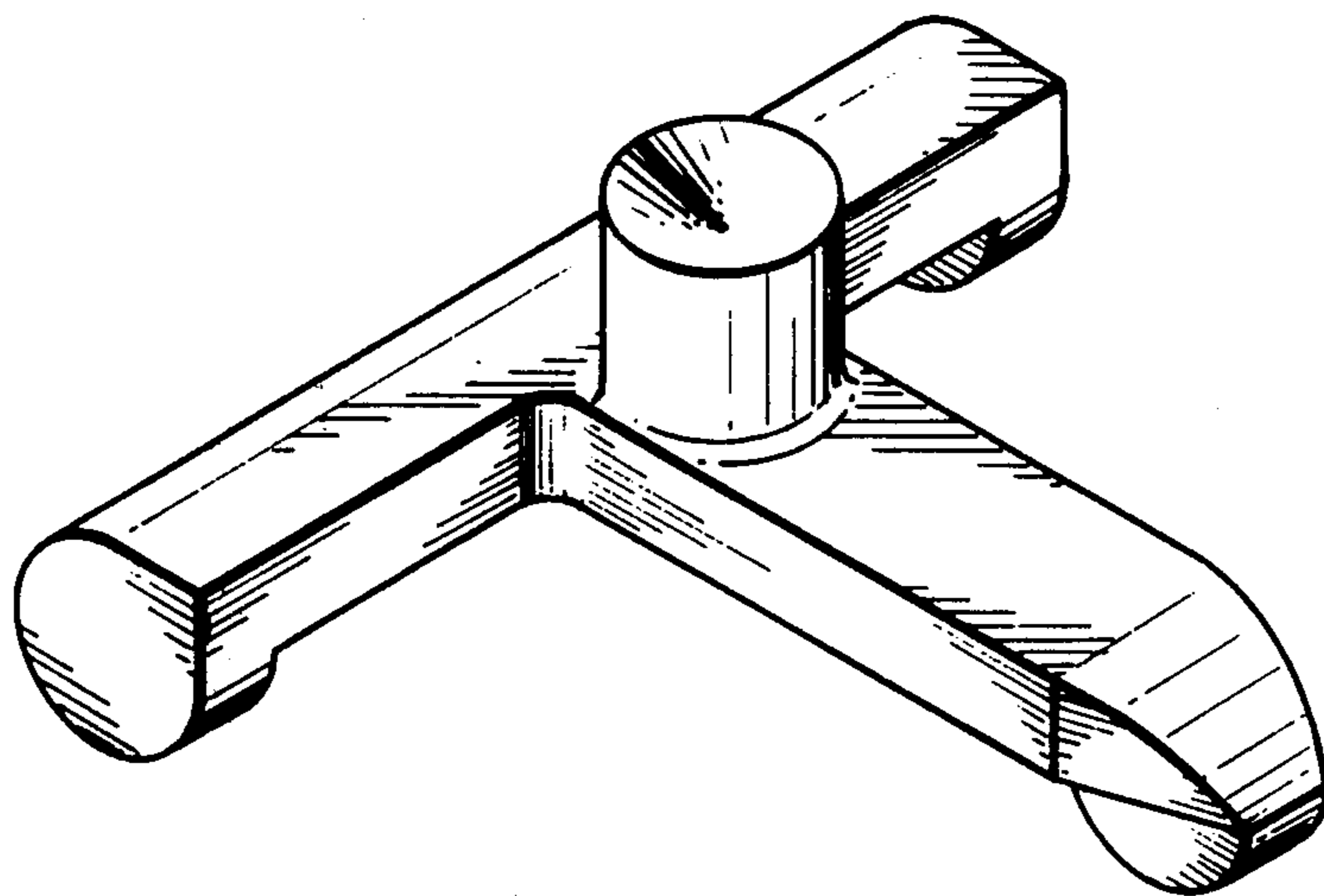
Primary Examiner—Melvin B. Feifer  
Attorney, Agent, or Firm—John J. Byrne

[57] CLAIM

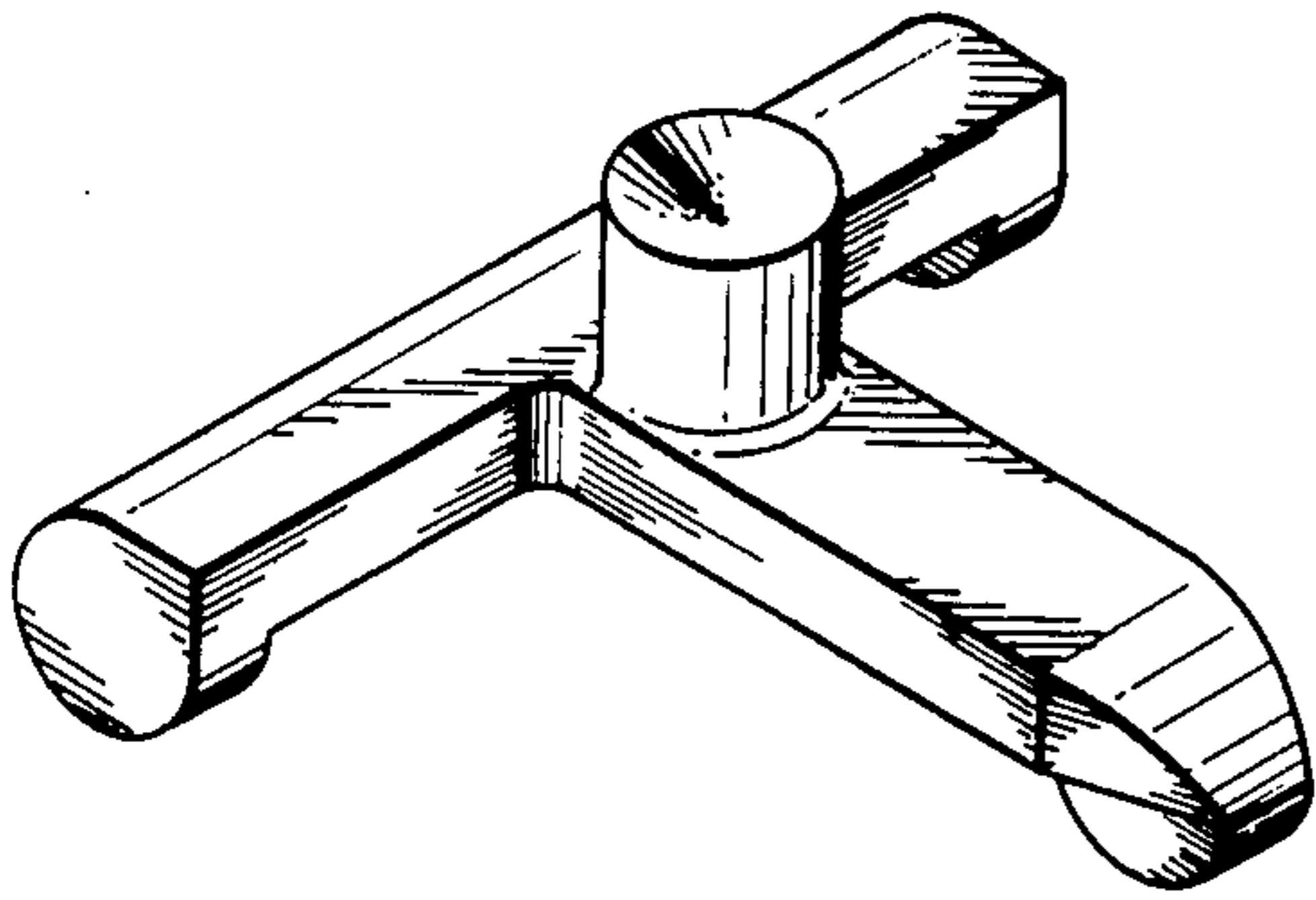
The ornamental design for a golf tee, substantially as shown.

DESCRIPTION

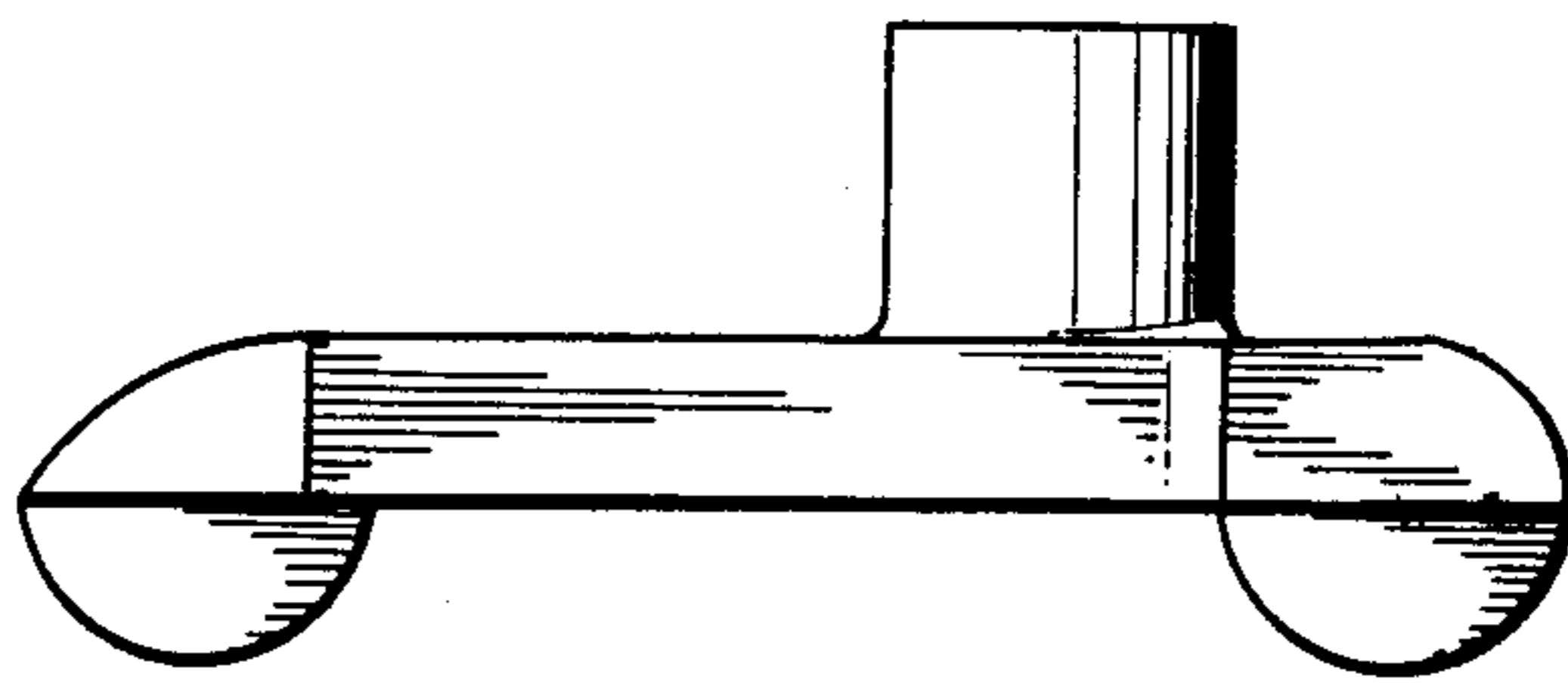
FIG. 1 is a perspective view of a golf tee showing my new design;  
FIG. 2 is a side elevational view of the golf tee depicted in FIG. 1;  
FIG. 3 is a top view of the golf tee depicted in FIG. 1;  
FIG. 4 is a bottom view of the golf tee depicted in FIG. 1; and  
FIG. 5 is a back view of the golf tee depicted in FIG. 1.



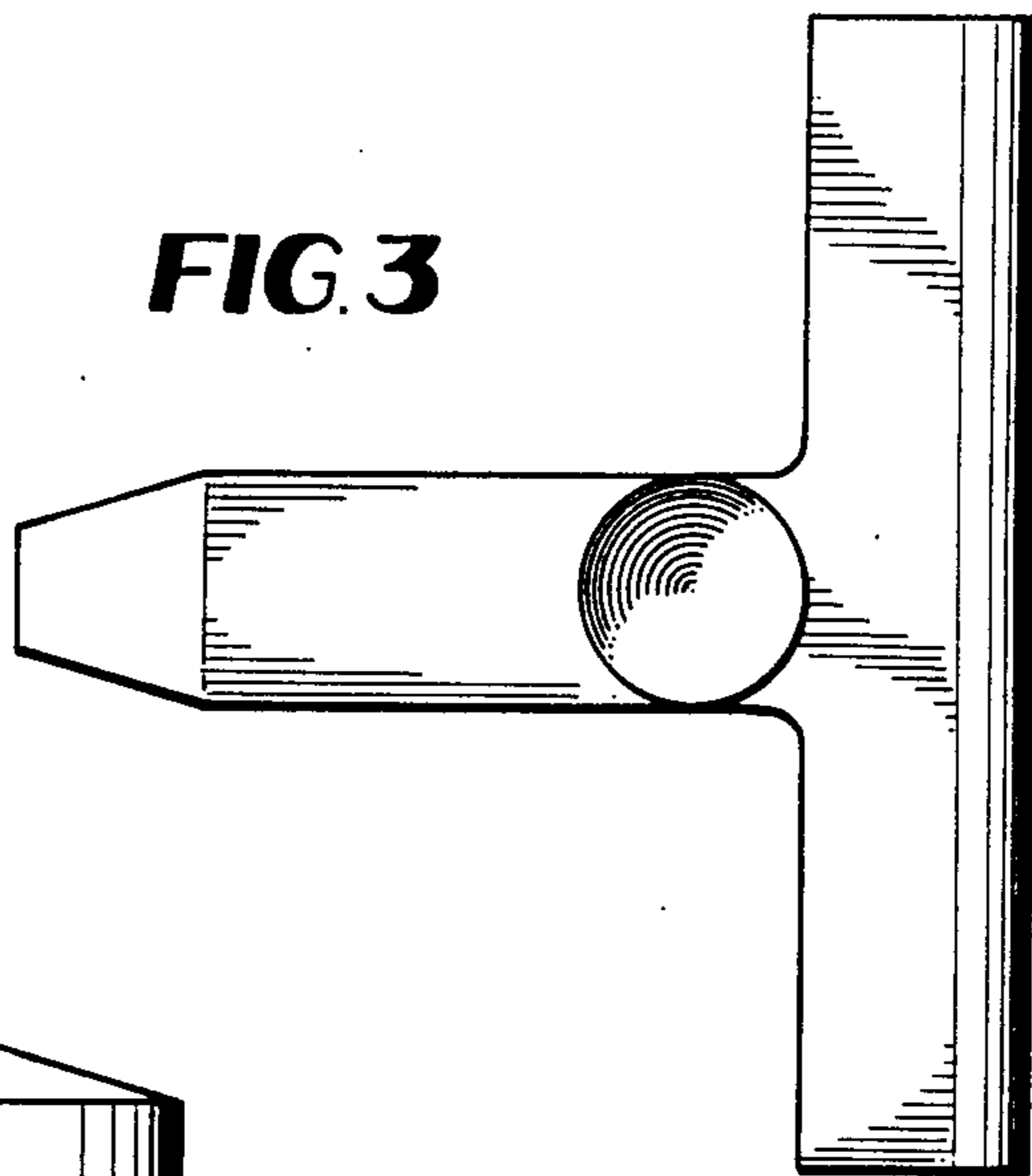
**FIG. 1**



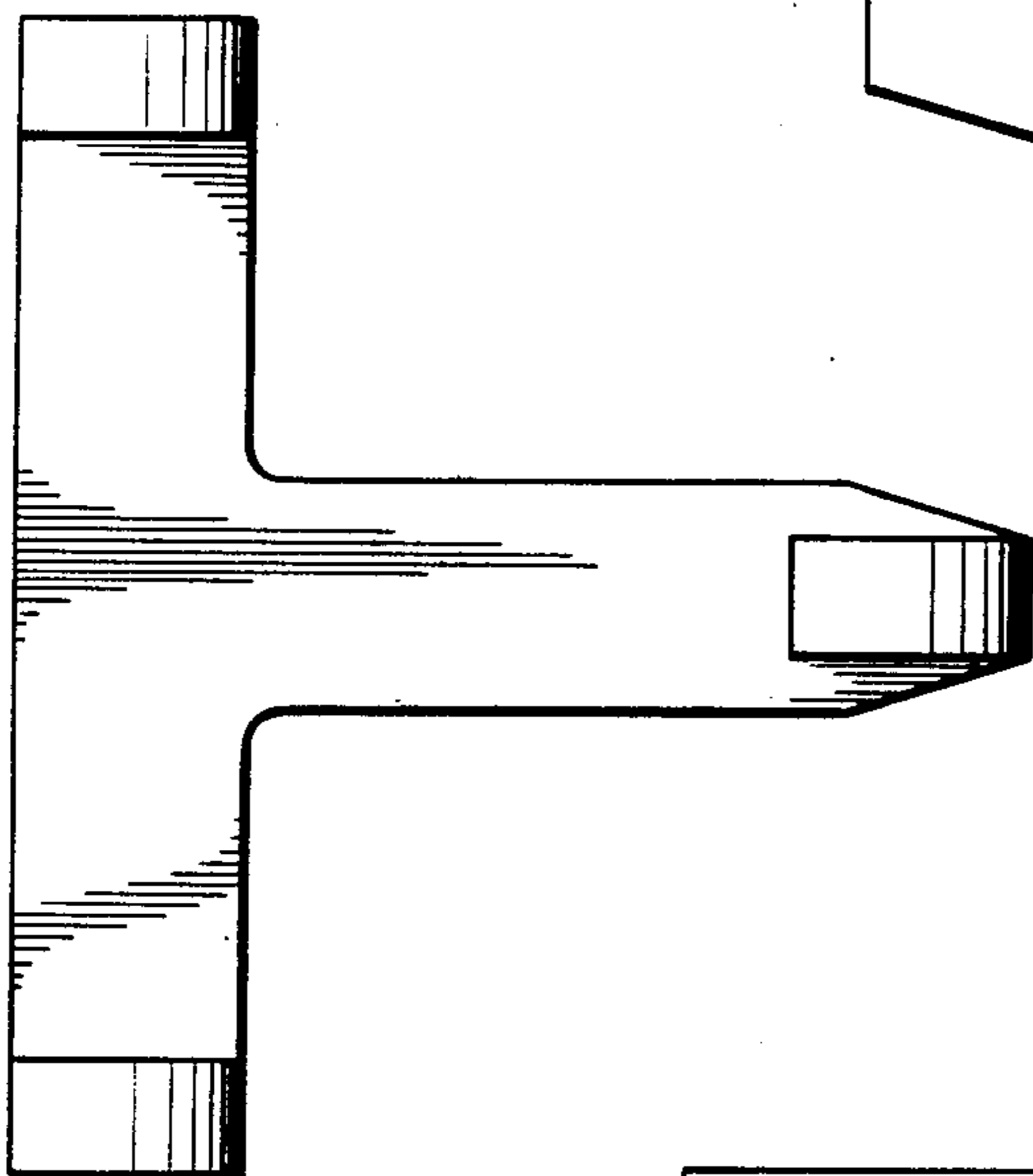
**FIG. 2**



**FIG. 3**



**FIG. 4**



**FIG. 5**

