

[54] **DISPENSER FOR AIR TREATING MATERIAL**

[75] Inventor: **Georg Schimanski**, Hagen, Fed. Rep. of Germany

[73] Assignee: **Globol-Werk GmbH**, Fed. Rep. of Germany

[\*\*] Term: **14 Years**

[21] Appl. No.: **774,346**

[22] Filed: **Mar. 4, 1977**

[30] **Foreign Application Priority Data**

Sep. 24, 1976 [DE] Fed. Rep. of Germany ..... 309

[51] Int. Cl. .... **D23-04**

[52] U.S. Cl. .... **D23/150; 239/57; 239/58**

[58] Field of Search ..... **D23/150; 239/39-60**

[56] **References Cited**

**U.S. PATENT DOCUMENTS**

2,500,896 3/1950 Drake ..... 239/59 X  
2,555,047 5/1951 Logue ..... 239/57 X

2,830,845 4/1958 Cottle ..... 239/59

*Primary Examiner*—James R. Largen  
*Attorney, Agent, or Firm*—Robert R. Priddy

[57] **CLAIM**

The ornamental design for a dispenser for air treating material, as shown and described.

**DESCRIPTION**

FIG. 1 is a front elevational view of a dispenser for air treating material showing my new design; FIG. 2 is a left side elevational view thereof; FIG. 3 is a right side elevational view thereof; FIG. 4 is a bottom plan view thereof; FIG. 5 is a rear elevational view thereof; FIG. 6 is a top plan view thereof; FIG. 7 is a rear perspective view thereof, showing the dispenser in an open position; FIG. 8 is a rear perspective view thereof, showing the dispenser in a closed position; and FIG. 9 is a rear perspective view thereof, showing the dispenser completely open. The broken line representation of support means in FIGS. 8 and 9 are for purposes of illustration only.

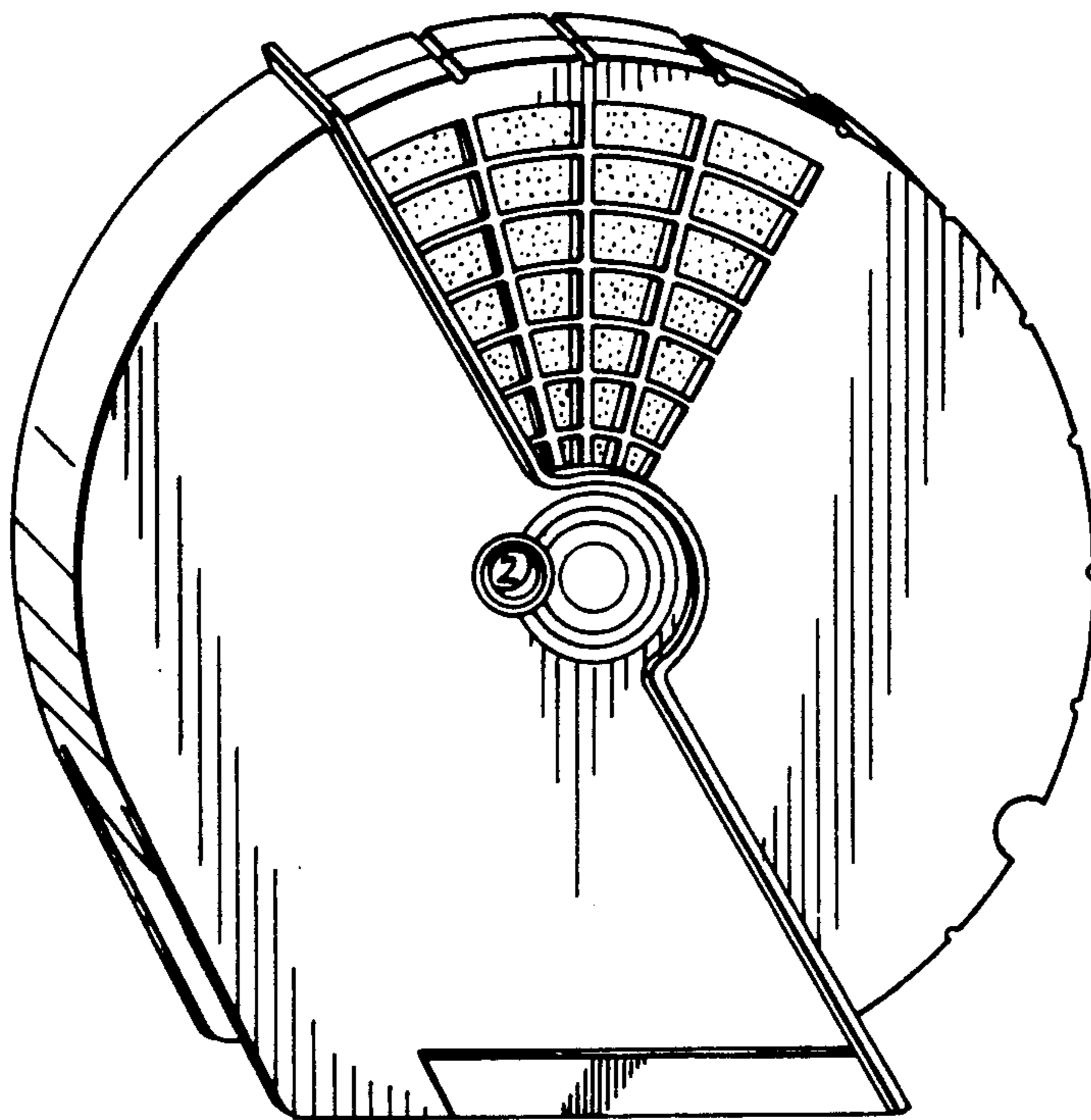


Fig. 2

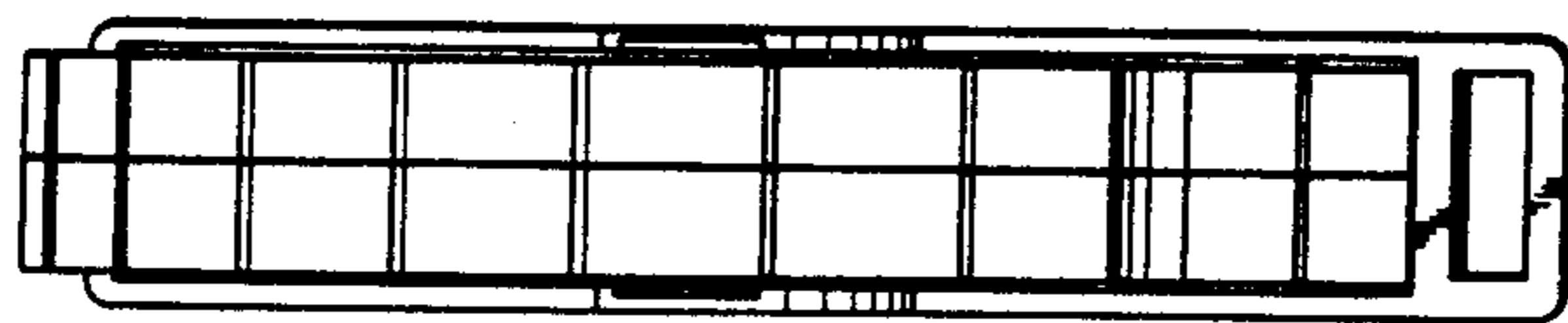


Fig. 1

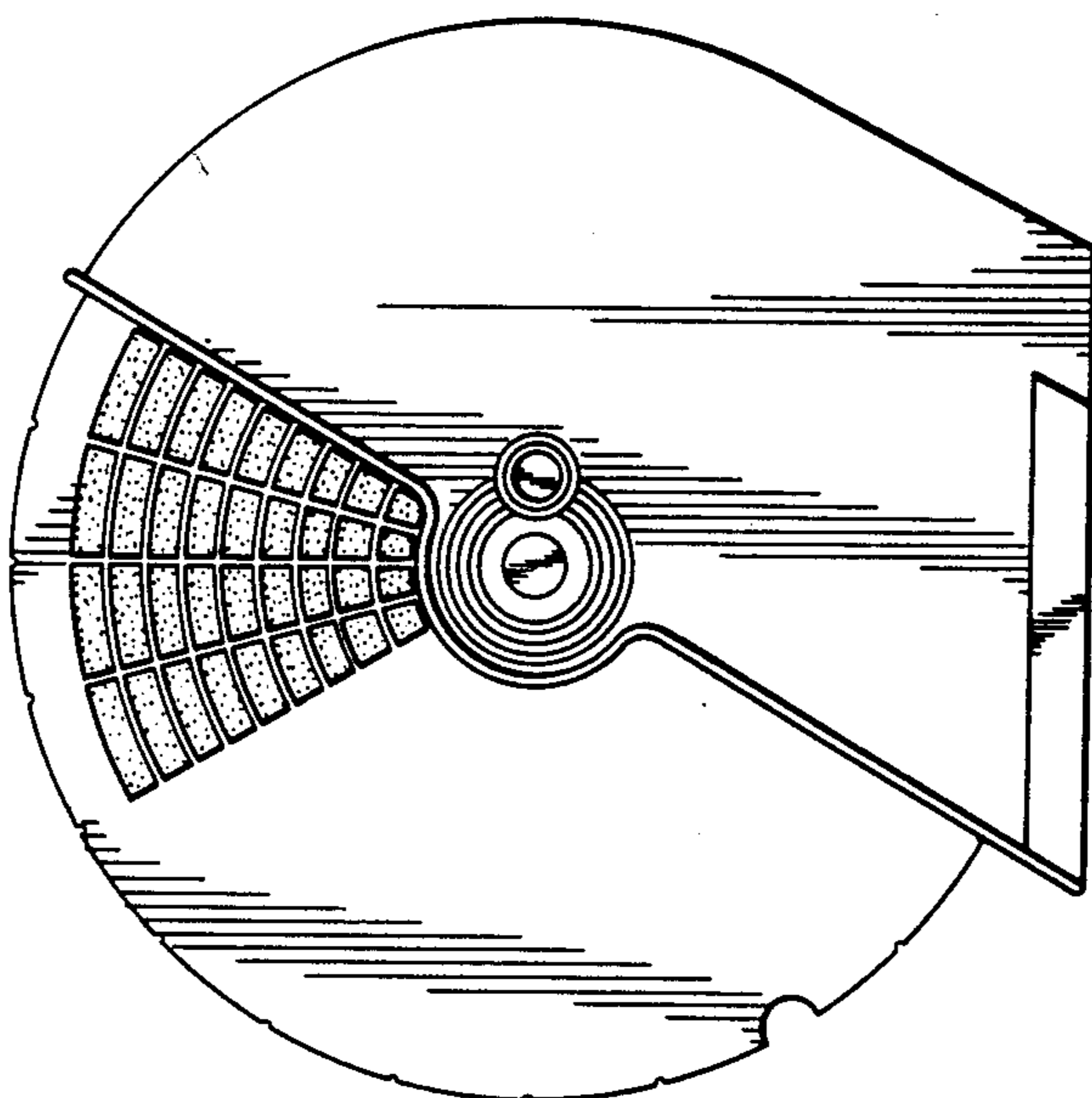


Fig. 3

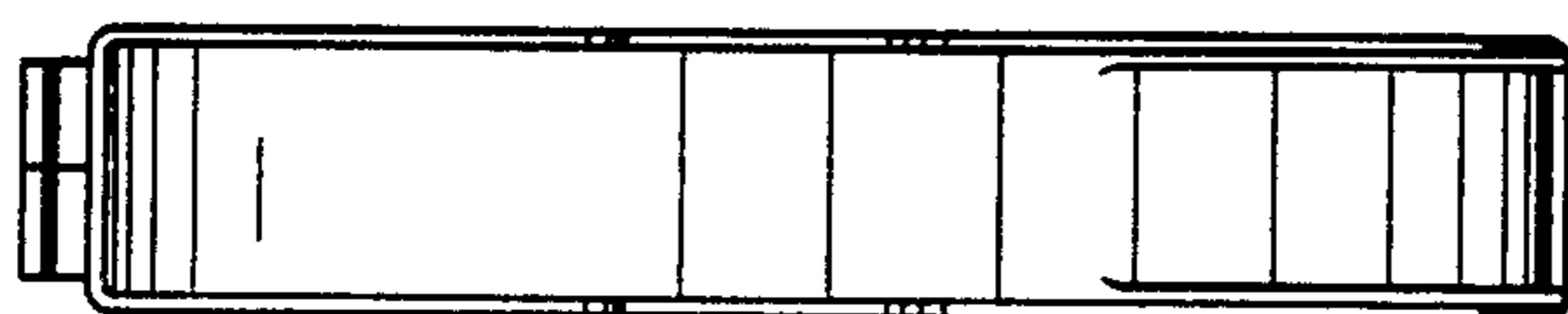


Fig.4

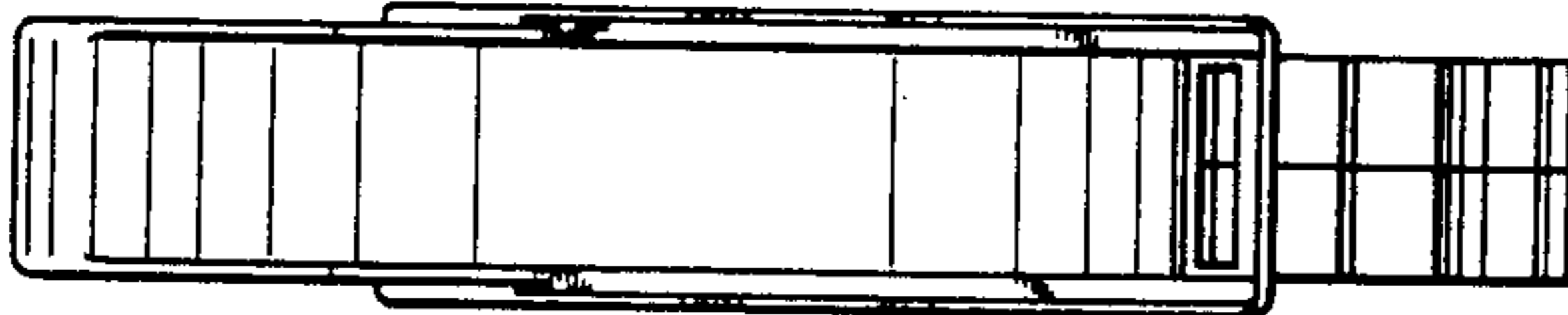


Fig.5

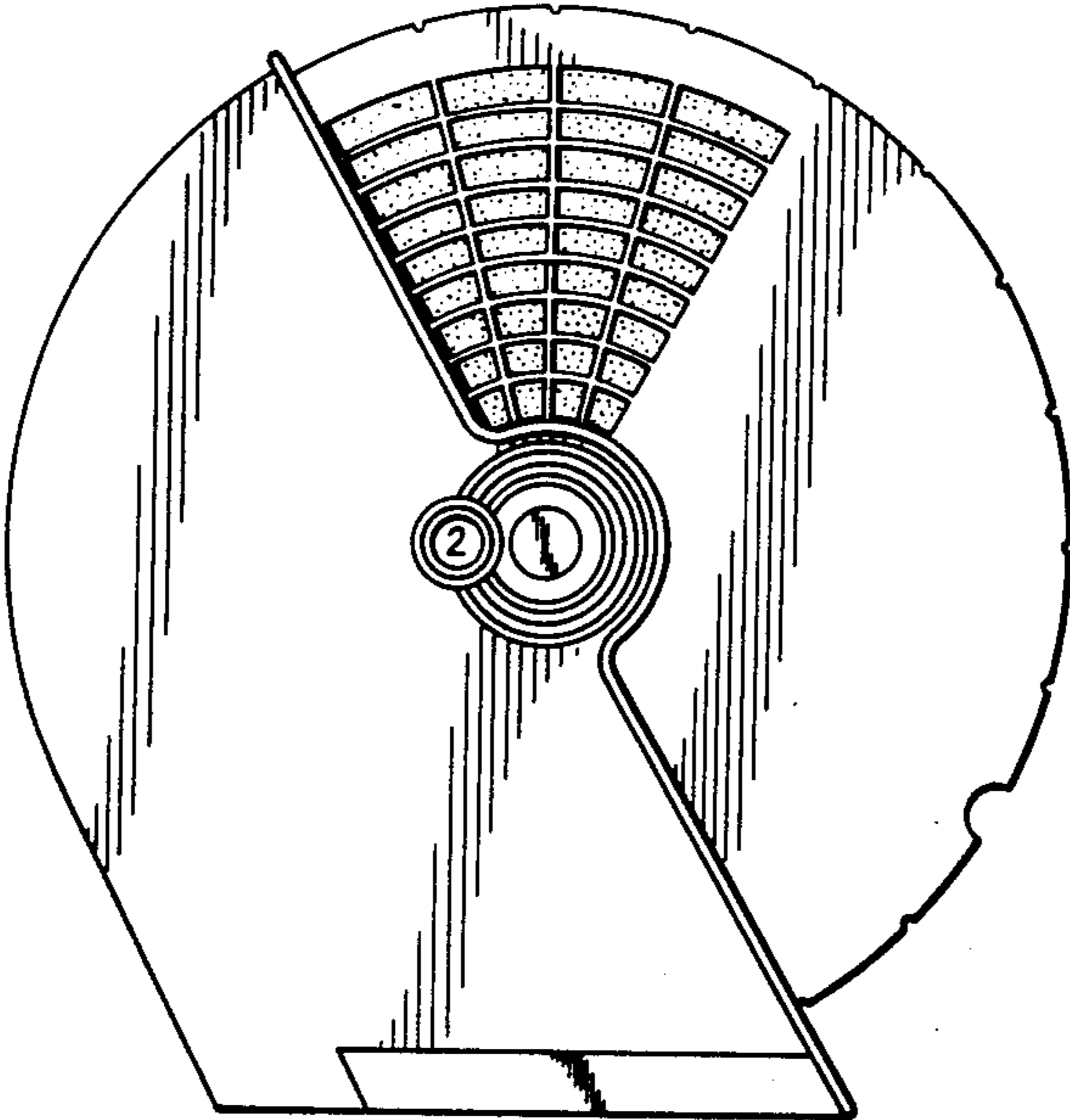


Fig.6

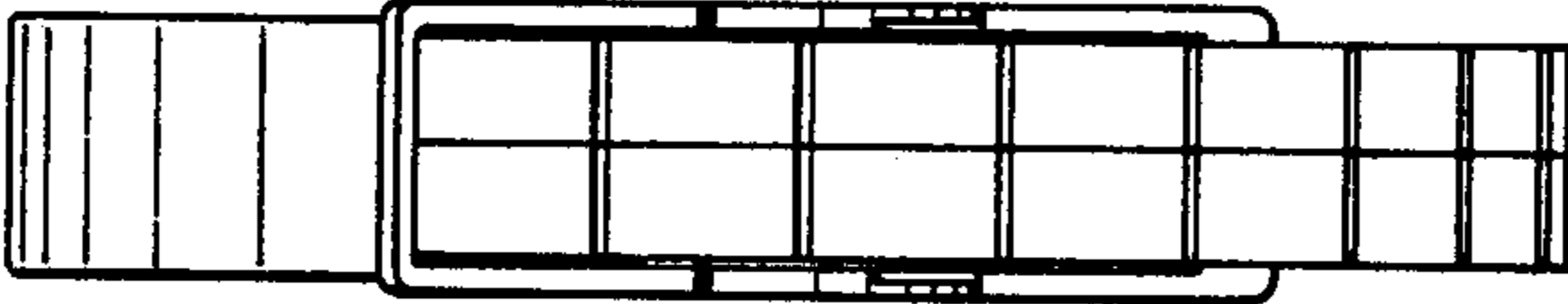


Fig. 7

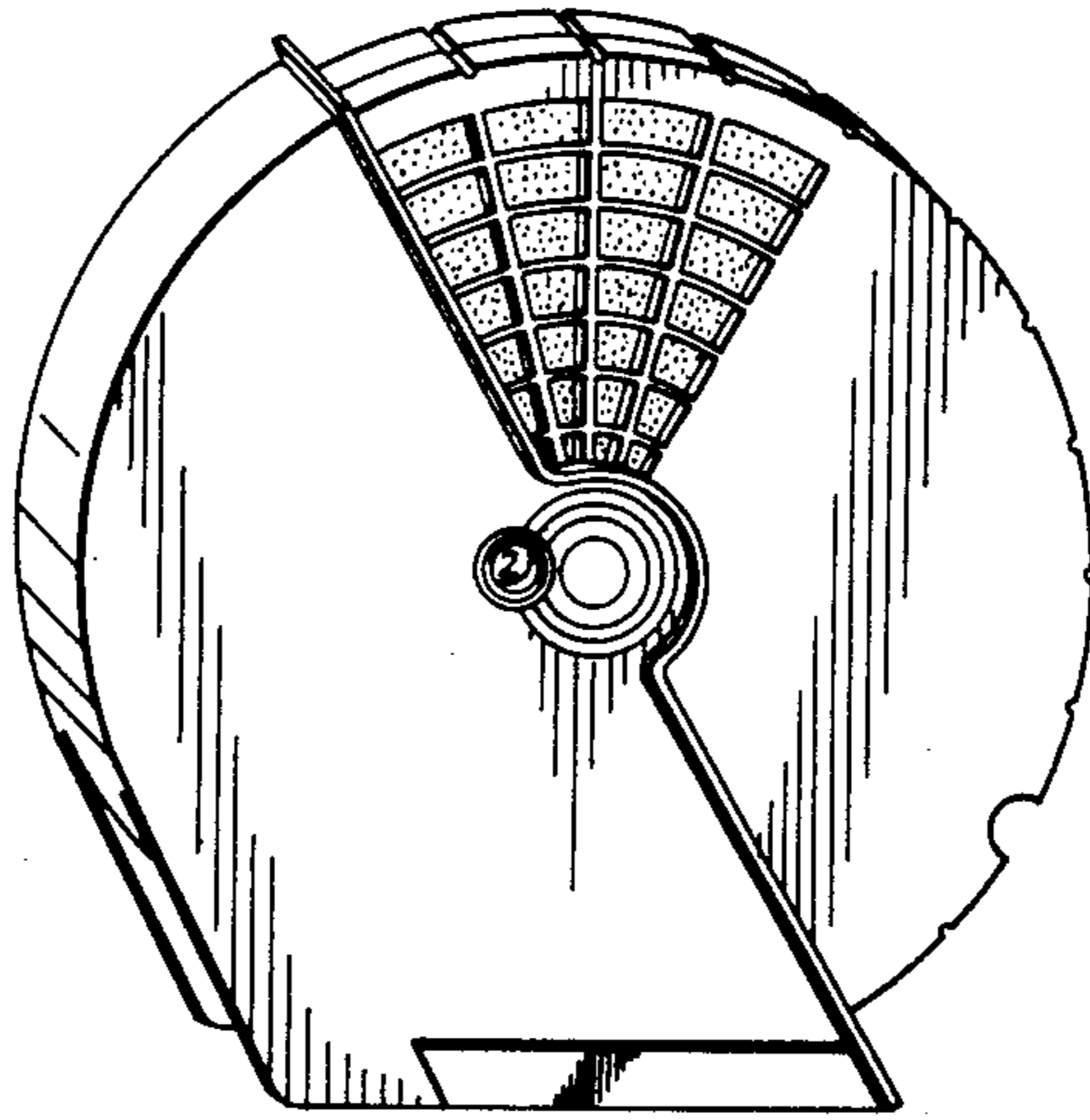


Fig. 8

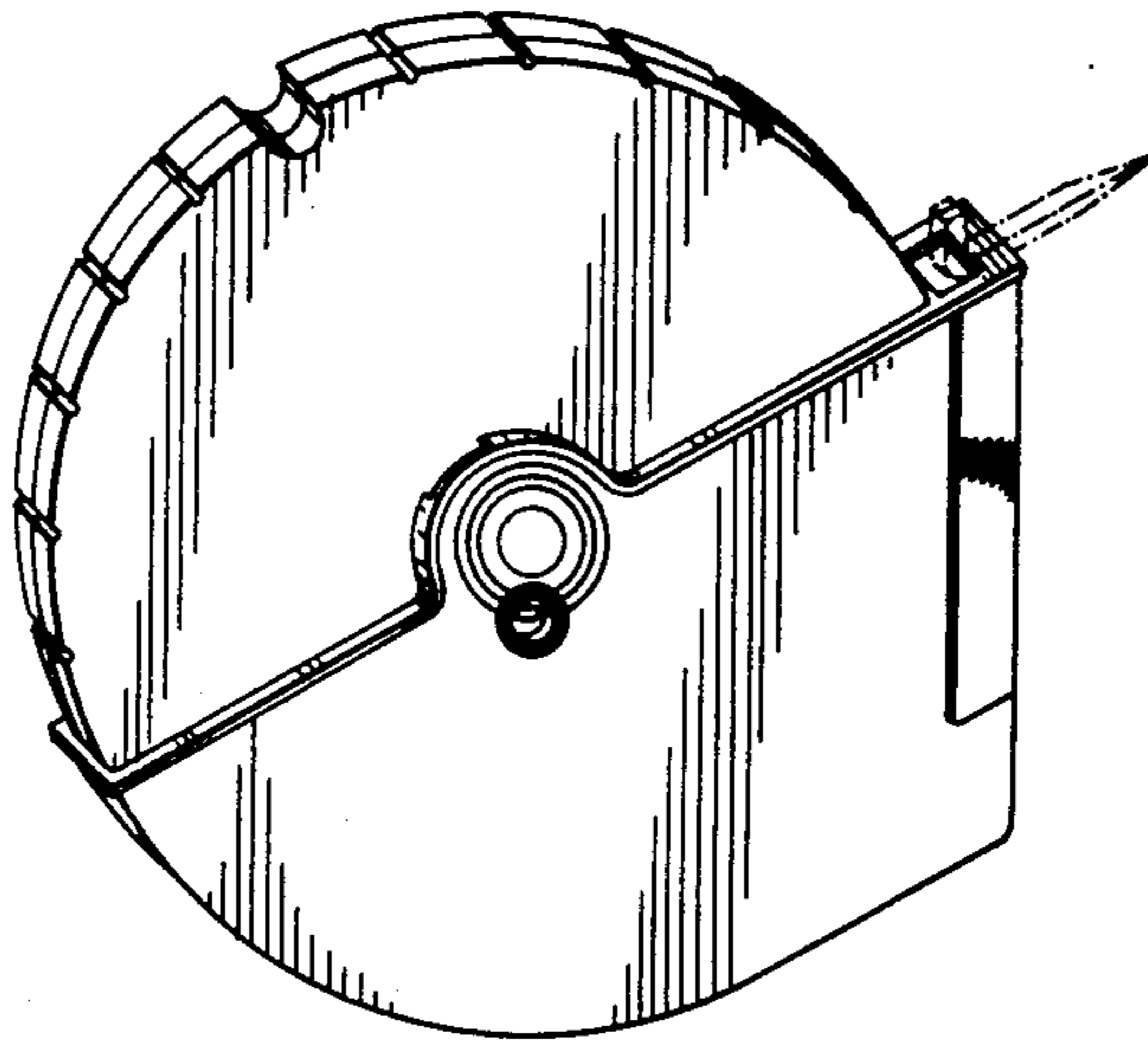


Fig. 9

