

[54] **ONE PIECE HANDGUN GRIP OR SIMILAR ARTICLE**

[76] **Inventor:** Theodore L. Schiermeier, P.O. Box 704, Twin Falls, Id. 83301

[*] **Notice:** The portion of the term of this patent subsequent to May 9, 1995, has been disclaimed.

[**] **Term:** 14 Years

[21] **Appl. No.:** 720,232

[22] **Filed:** Sep. 3, 1976

[51] **Int. Cl.** D22-01

[52] **U.S. Cl.** D22/1

[58] **Field of Search** D22/1, 6, 7, 8; 42/1.6, 42/71 R, 71 P; D12/60

[56] **References Cited**

U.S. PATENT DOCUMENTS

D. 163,654	6/1951	Vahala	D22/1
D. 247,855	5/1978	Schiermeier	D22/1
3,683,535	8/1972	Lewis	42/71 P

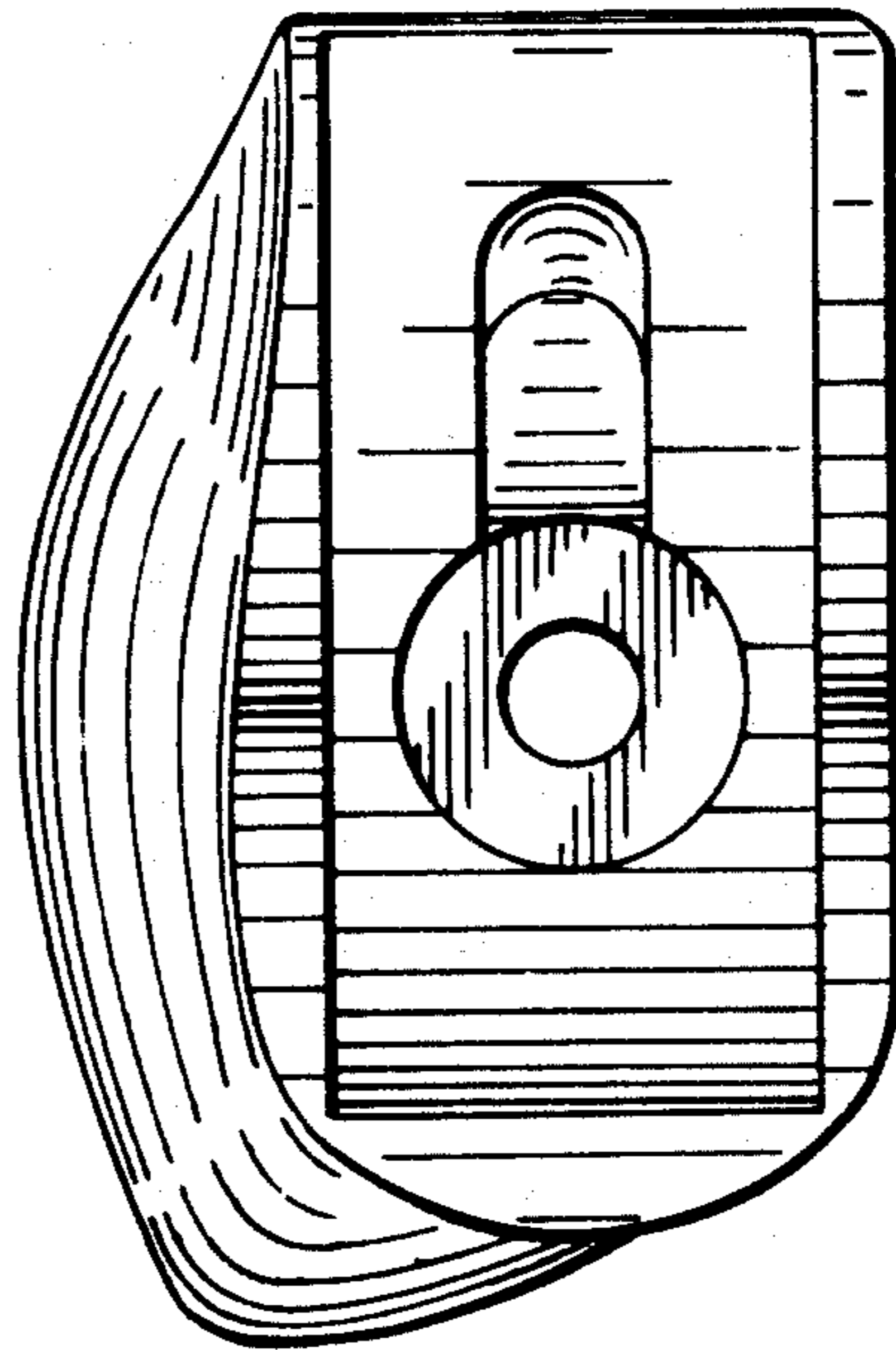
Primary Examiner—A. Hugo Word
Attorney, Agent, or Firm—Frank J. Dykas

[57] **CLAIM**

The ornamental design for a one piece handgun grip or similar article, as shown.

DESCRIPTION

FIG. 1 is a top view of a one piece handgun grip showing my new design,
FIG. 2 is a bottom view thereof,
FIG. 3 is a front view,
FIG. 4 is a back view,
FIG. 5 is a right side elevational view; and
FIG. 6 is a left side elevational view thereof.



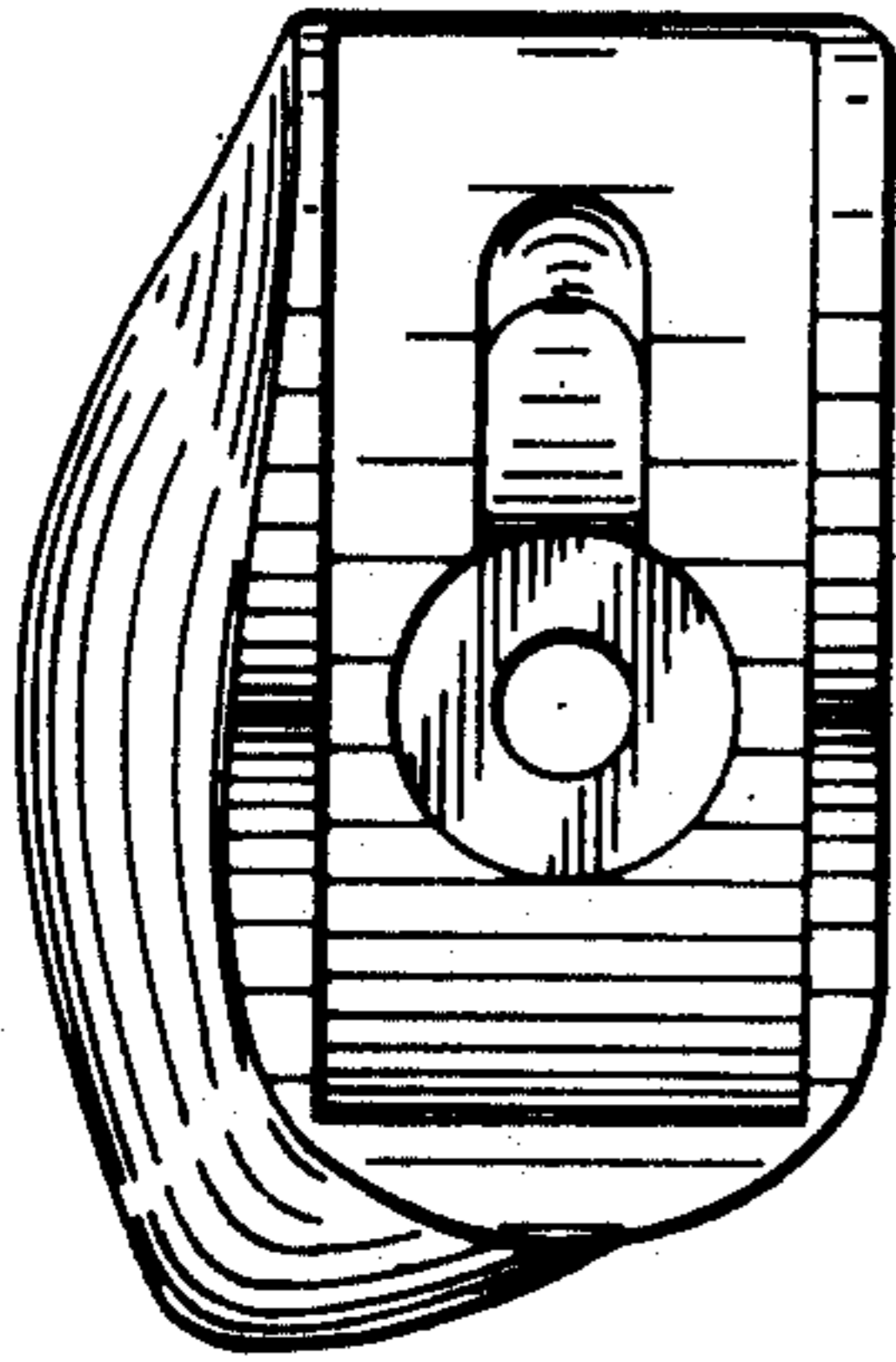


Fig. 1

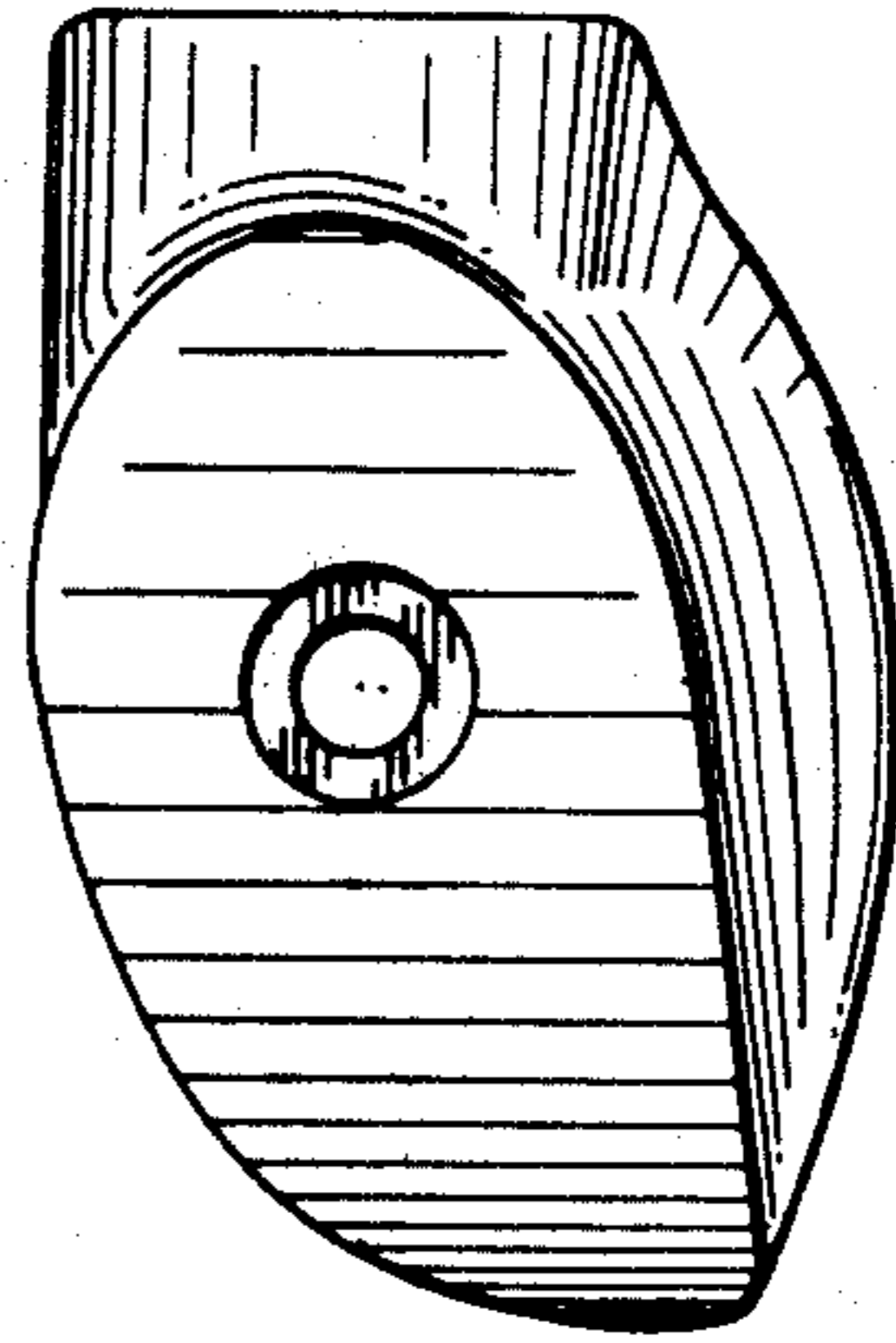


Fig. 2

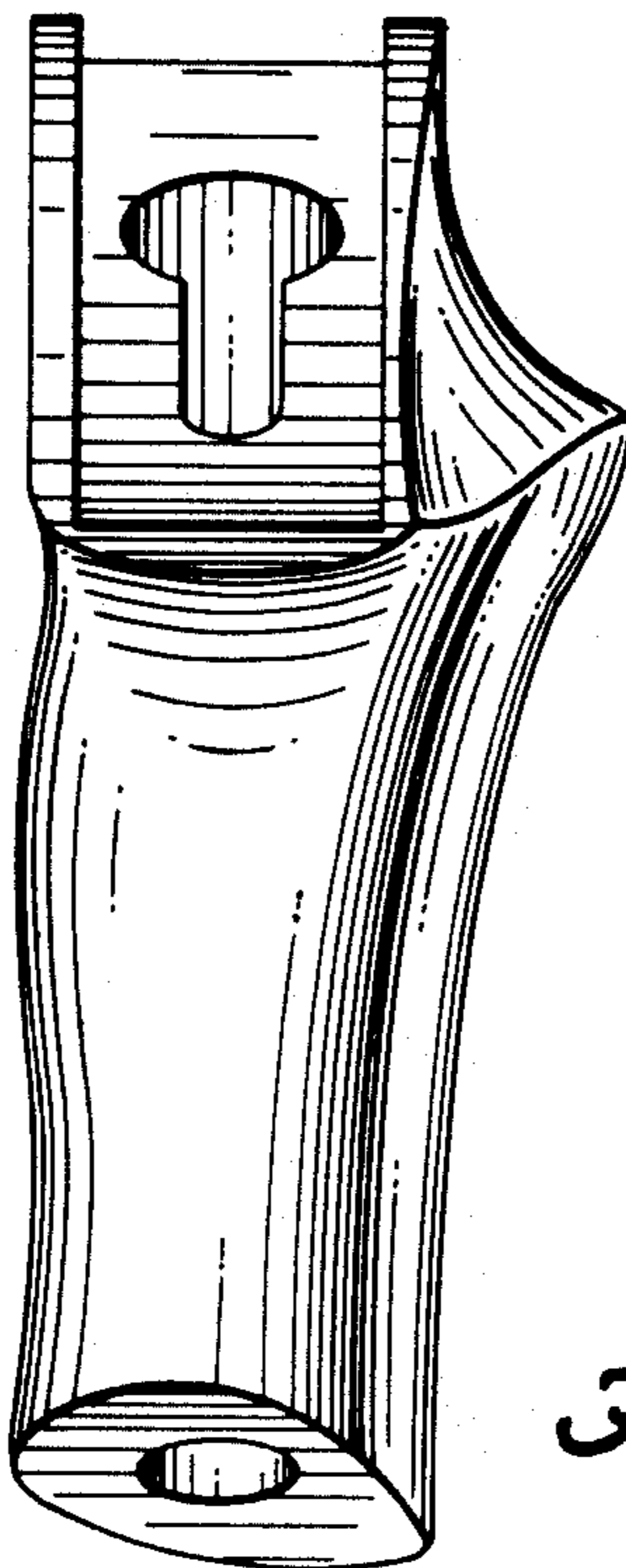


Fig. 3

Fig. 5

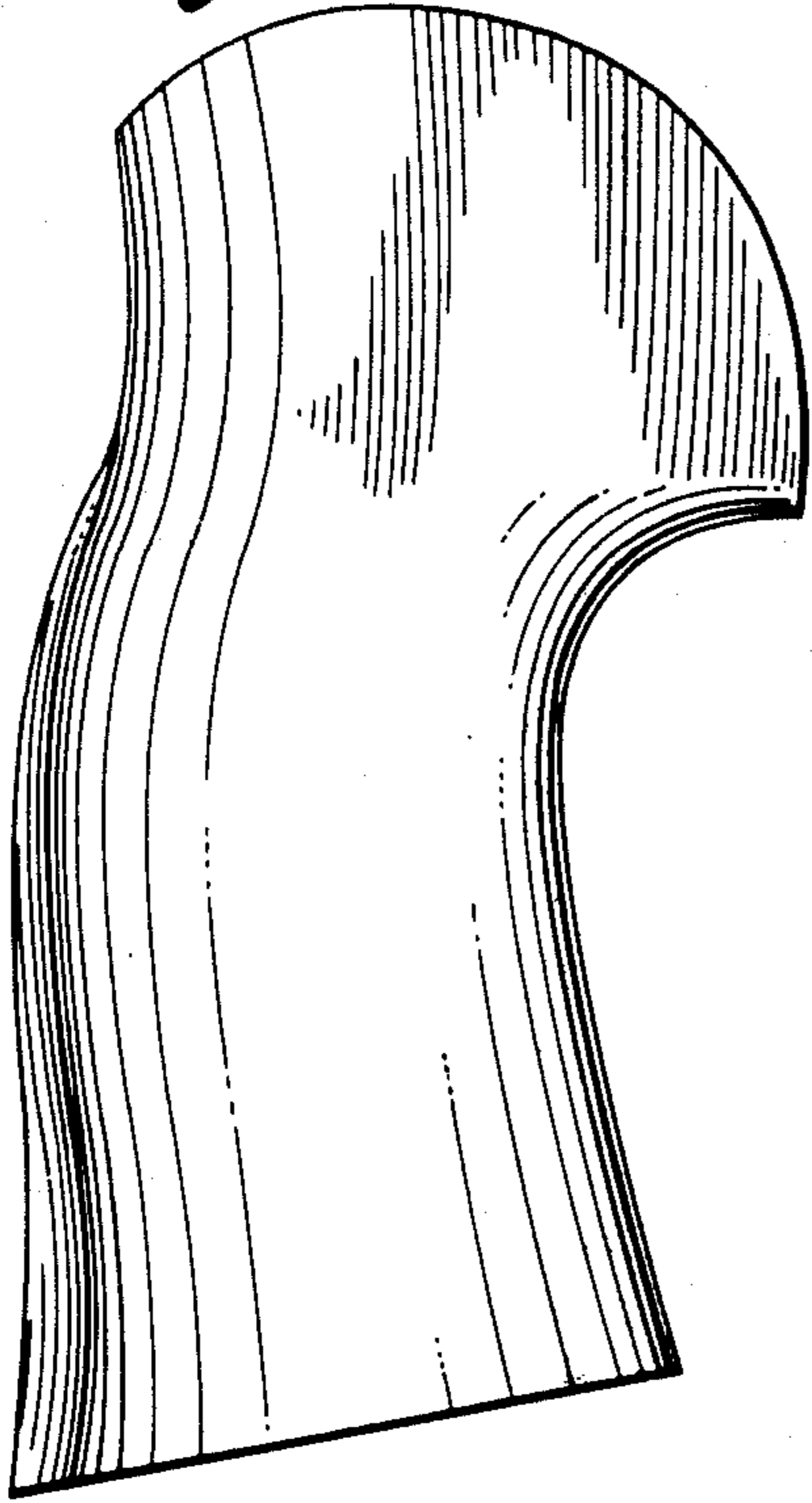


Fig. 6

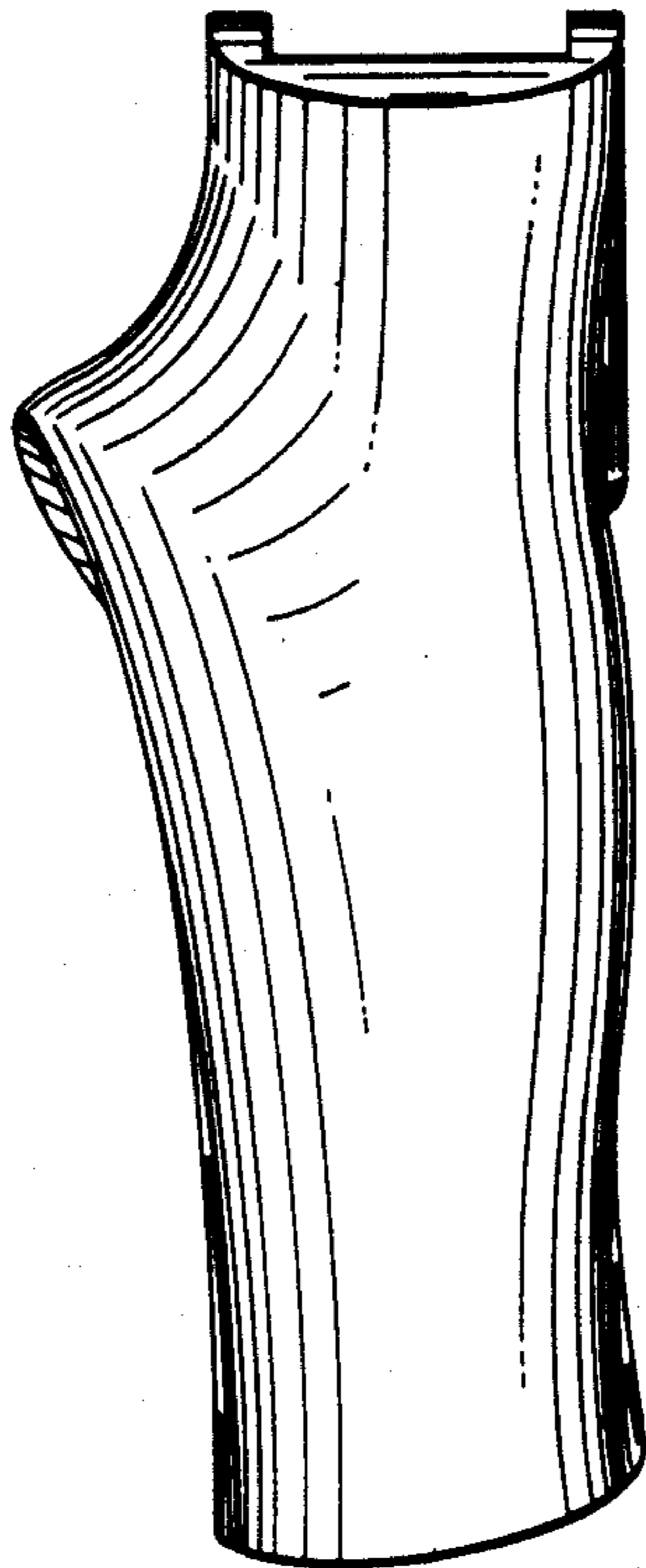
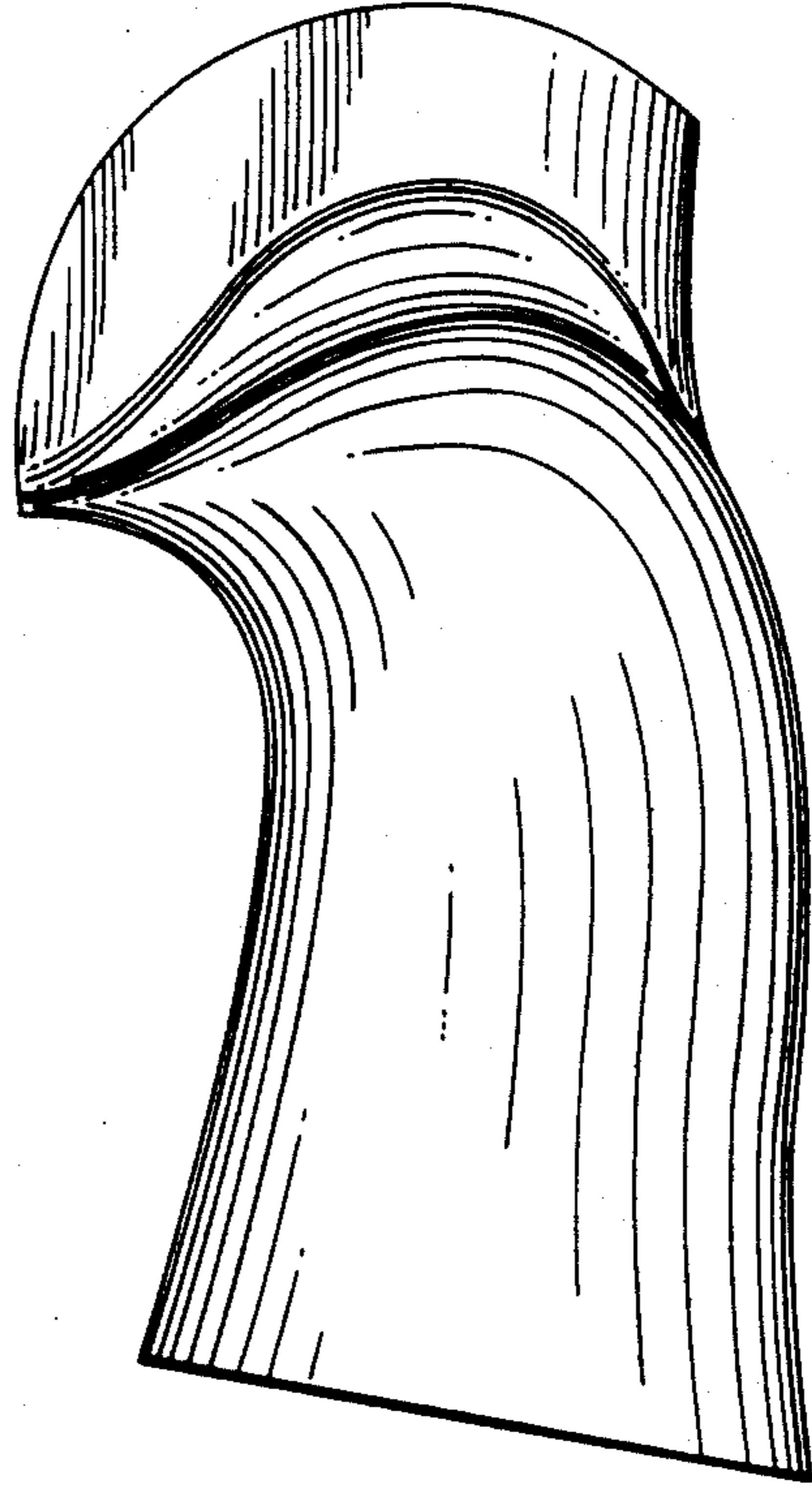


Fig. 4