

[54] SKATEBOARD TRUCK

[75] Inventor: William H. Brawner, El Cajon, Calif.

[73] Assignee: H.P.G. IV, Inc., El Cajon, Calif.

[**] Term: 14 Years

[21] Appl. No.: 883,345

[22] Filed: Mar. 3, 1978

[51] Int. Cl. D21-02

[52] U.S. Cl. D21/226

[58] Field of Search D34/14 C, 15 AJ;
280/11.27, 11.28, 87.04 A

[56] References Cited

U.S. PATENT DOCUMENTS

| | | | |
|-----------|---------|----------------|-----------|
| 3,024,033 | 3/1962 | Skaggs | 280/11.28 |
| 4,047,725 | 9/1977 | Pinchock | 280/11.28 |
| 4,058,323 | 11/1977 | Ware | 280/11.28 |
| 4,076,265 | 2/1978 | Eash | 280/11.27 |

OTHER PUBLICATIONS

Skate Boarder Magazine, 9-1977, p. 39, Item #14, HPG Guillwings Truck.

Skate Boarder Magazine, 6-1977, p. 88, Item ACS651, Truck.

Primary Examiner—Joel Stearman

Assistant Examiner—Charles A. Rademaker

Attorney, Agent, or Firm—Carl R. Brown

[57] CLAIM

The ornamental design for a skateboard truck, substantially as shown and described.

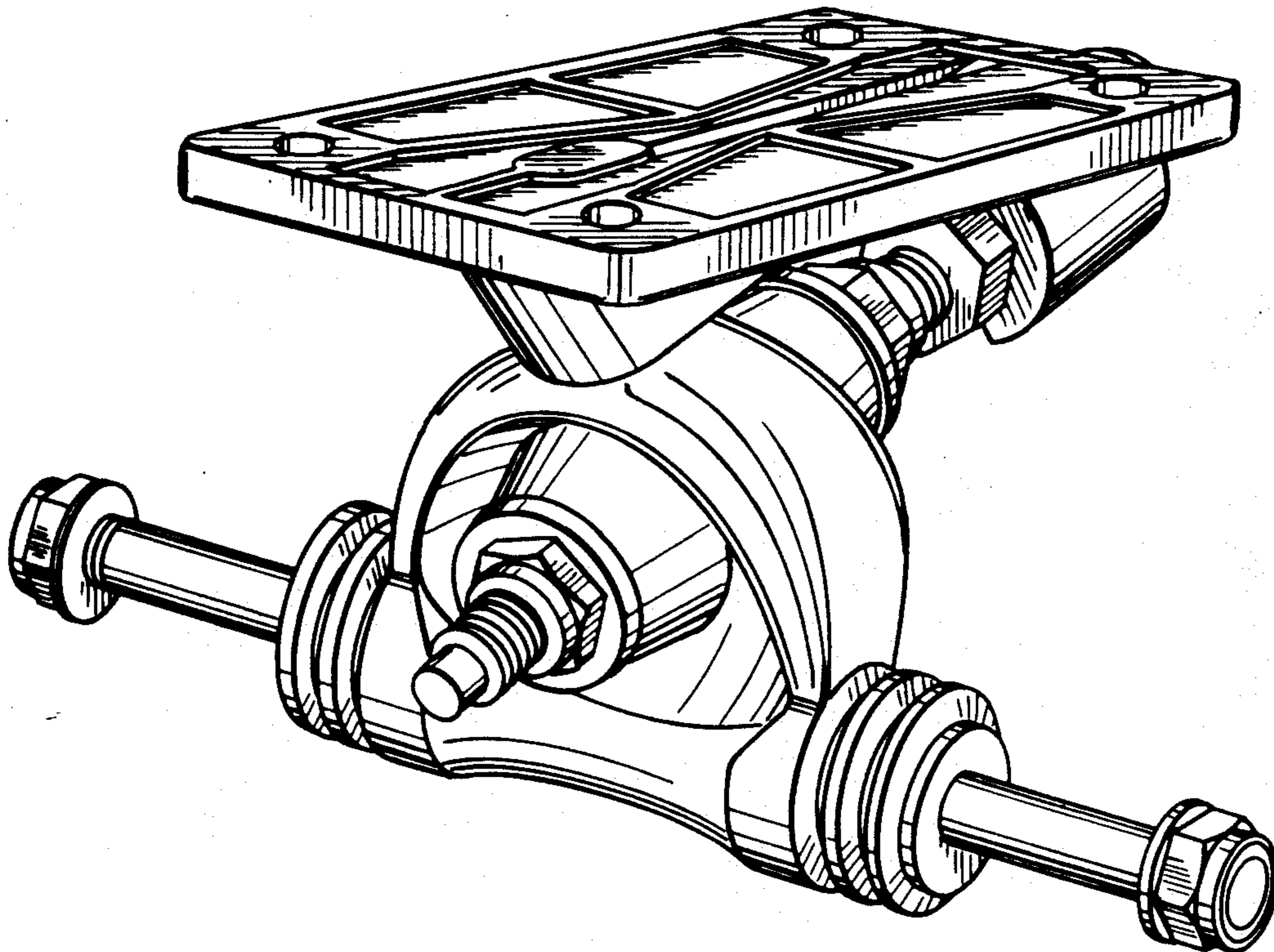
DESCRIPTION

FIG. 1 is a perspective view of a skateboard truck, showing my new design;

FIG. 2 is a bottom plan view thereof;

FIG. 3 is a side elevational view thereof; and

FIG. 4 is an end elevational view as taken from the left end of FIG. 3.



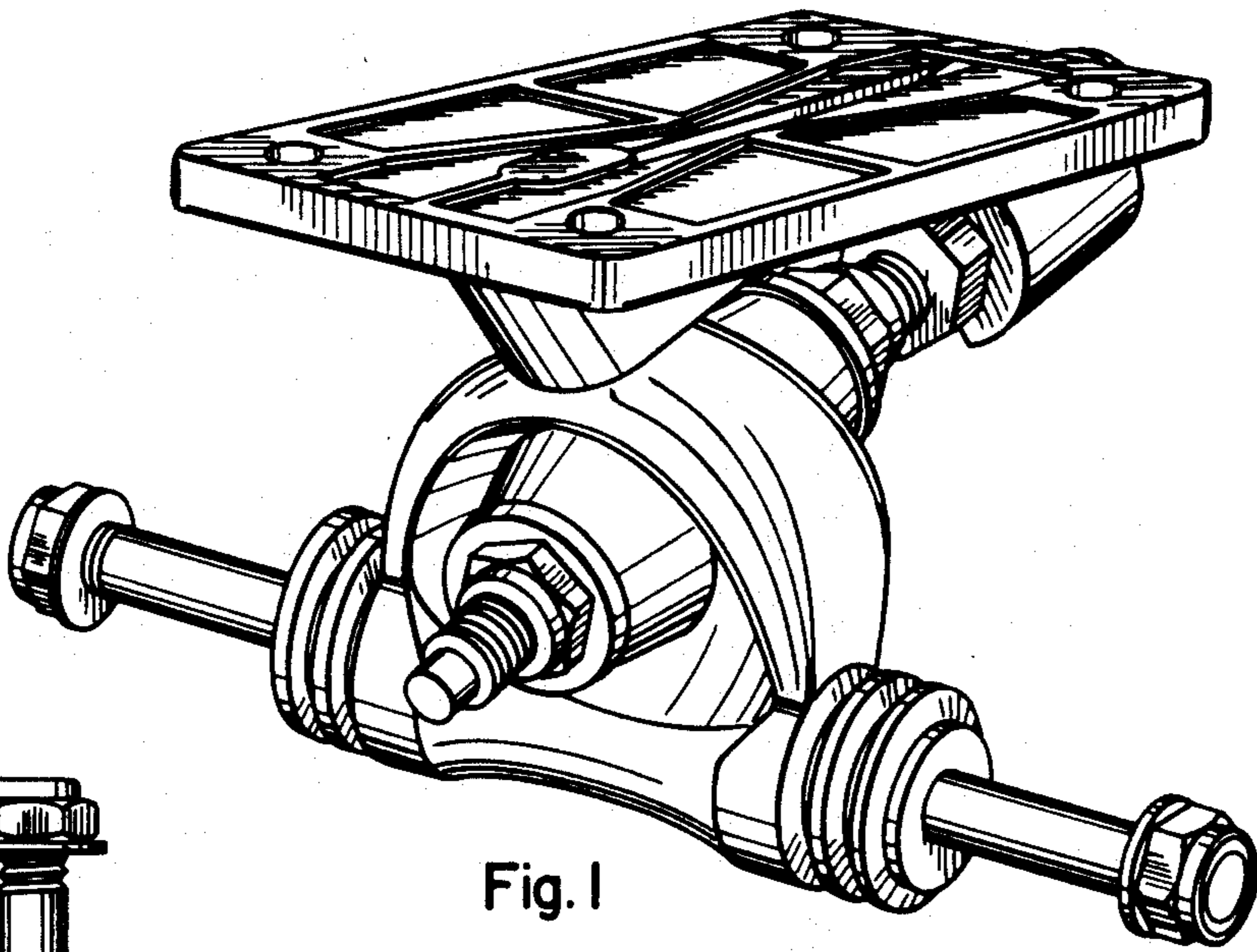


Fig. 1

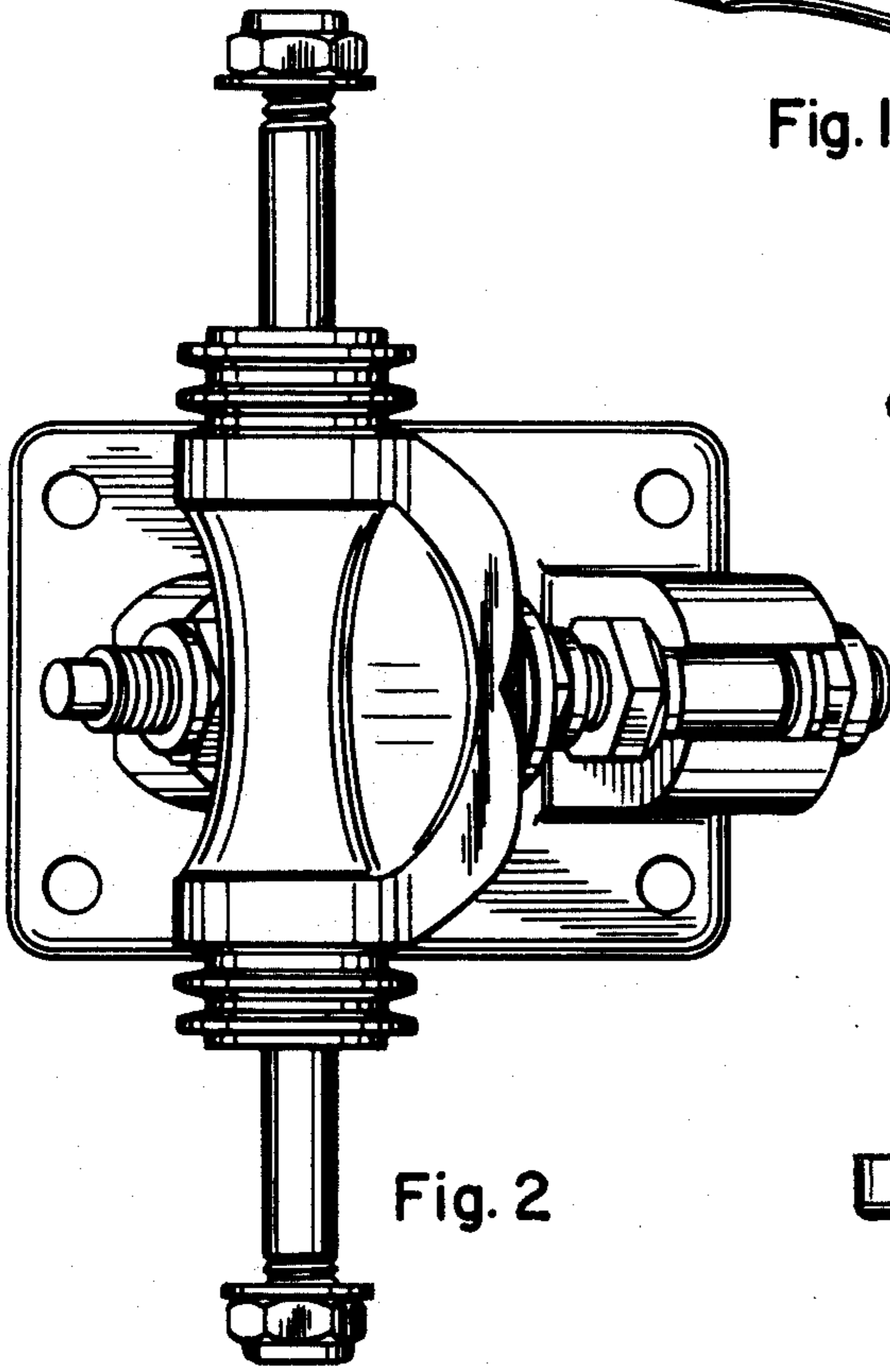


Fig. 2

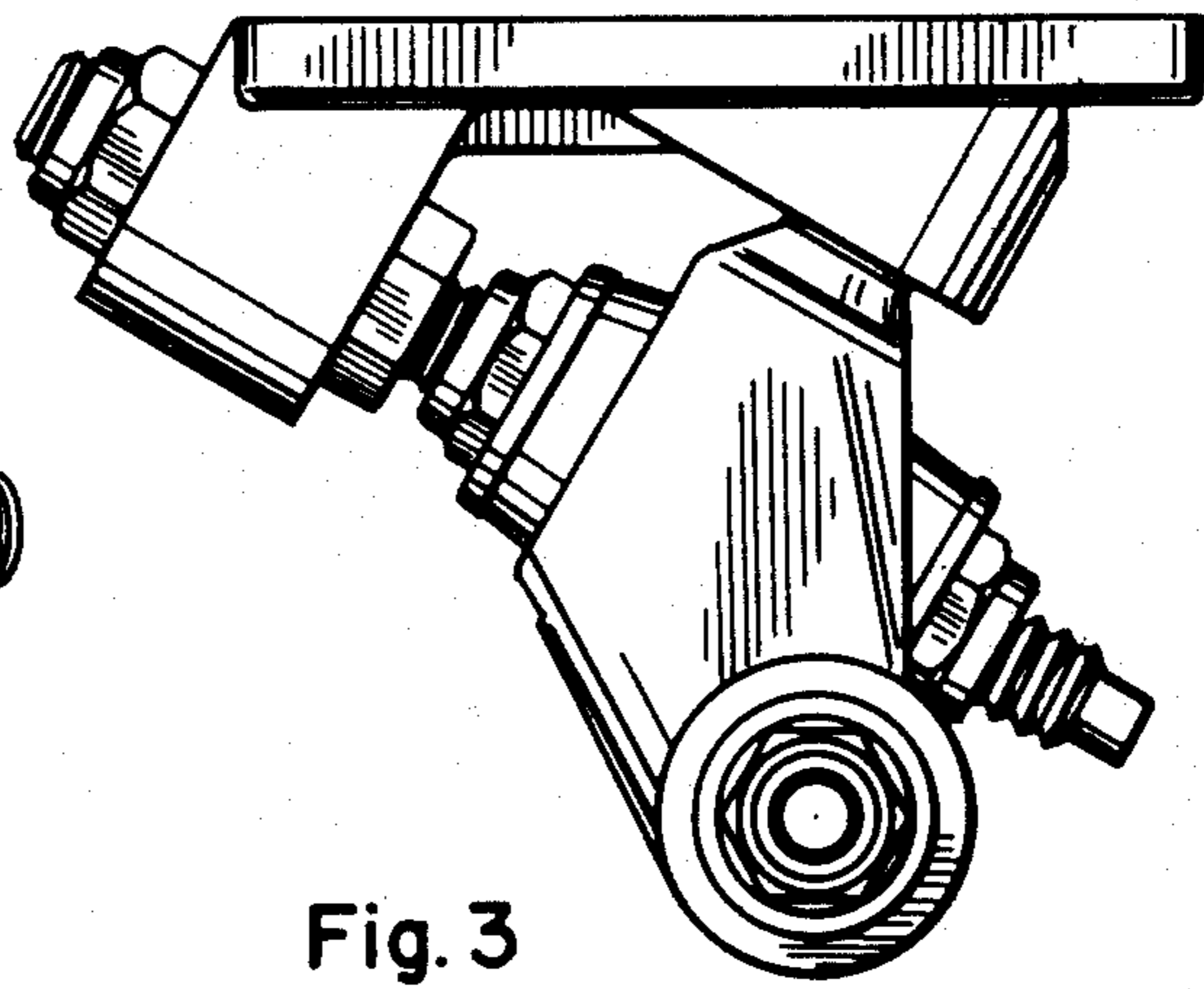


Fig. 3

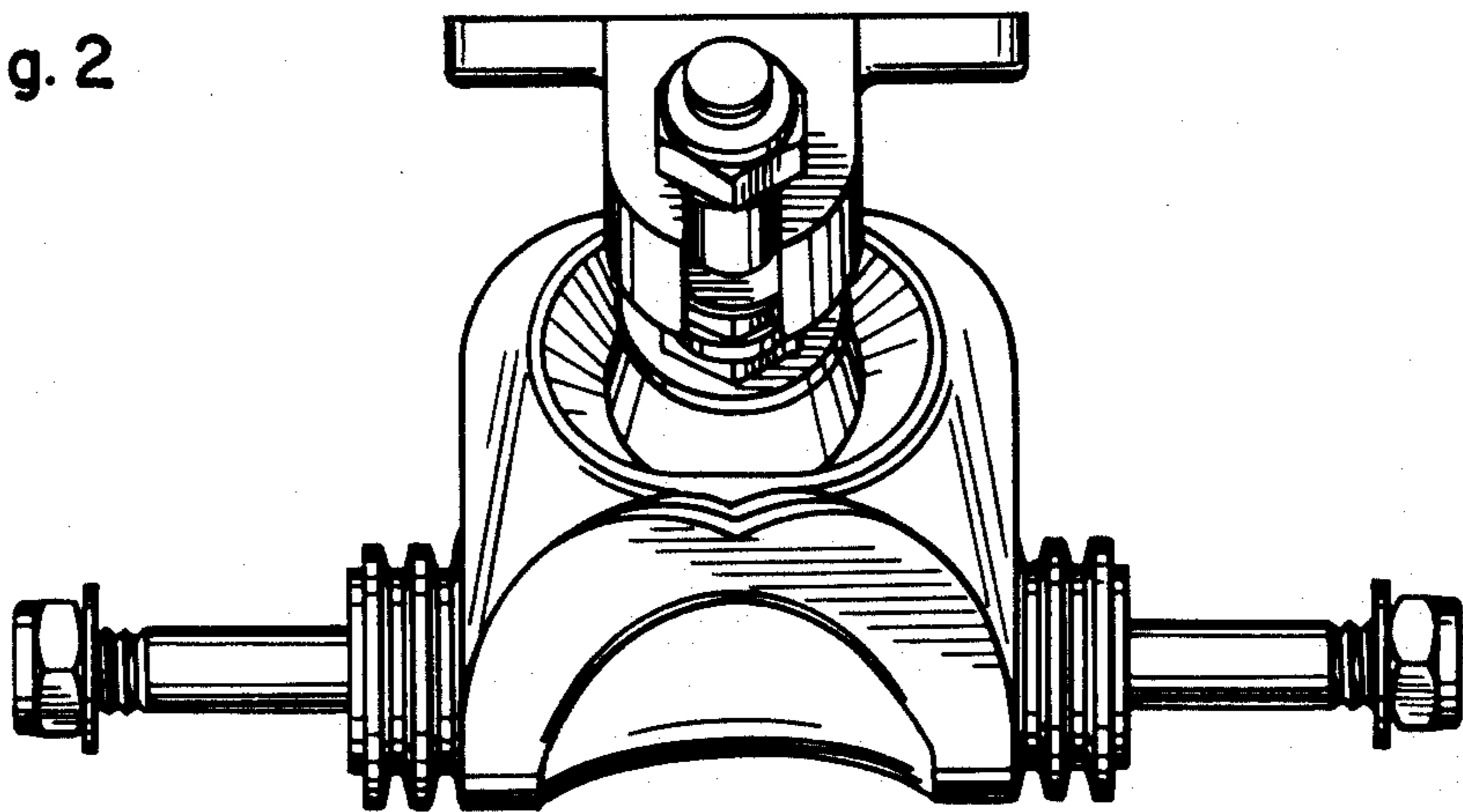


Fig. 4