

[54] CARD READER HEAD ASSEMBLY

[75] Inventors: Edward P. Sheehan, Canton; John P. Connolly, Hingham, both of Mass.; James B. King, McLean, Va.

[73] Assignee: Massachusetts Bay Transportation Authority

[**] Term: 14 Years

[21] Appl. No.: 840,844

[22] Filed: Oct. 11, 1977

[51] Int. Cl. D14-02

[52] U.S. Cl. D14/40; D14/49

[58] Field of Search D14/40, 49; 360/93; 340/149 A, 152 R, 146.1 F, 146.3 C, 146.3 F; 235/432, 435, 439, 440, 441, 446, 449, 454, 455, 471, 470, 483, 486, 472

[56] References Cited

U.S. PATENT DOCUMENTS

3,678,212	7/1972	Wild	360/93
3,914,309	10/1975	Swensen	235/454 X
3,914,789	10/1975	Coker, Jr. et al.	235/449 X

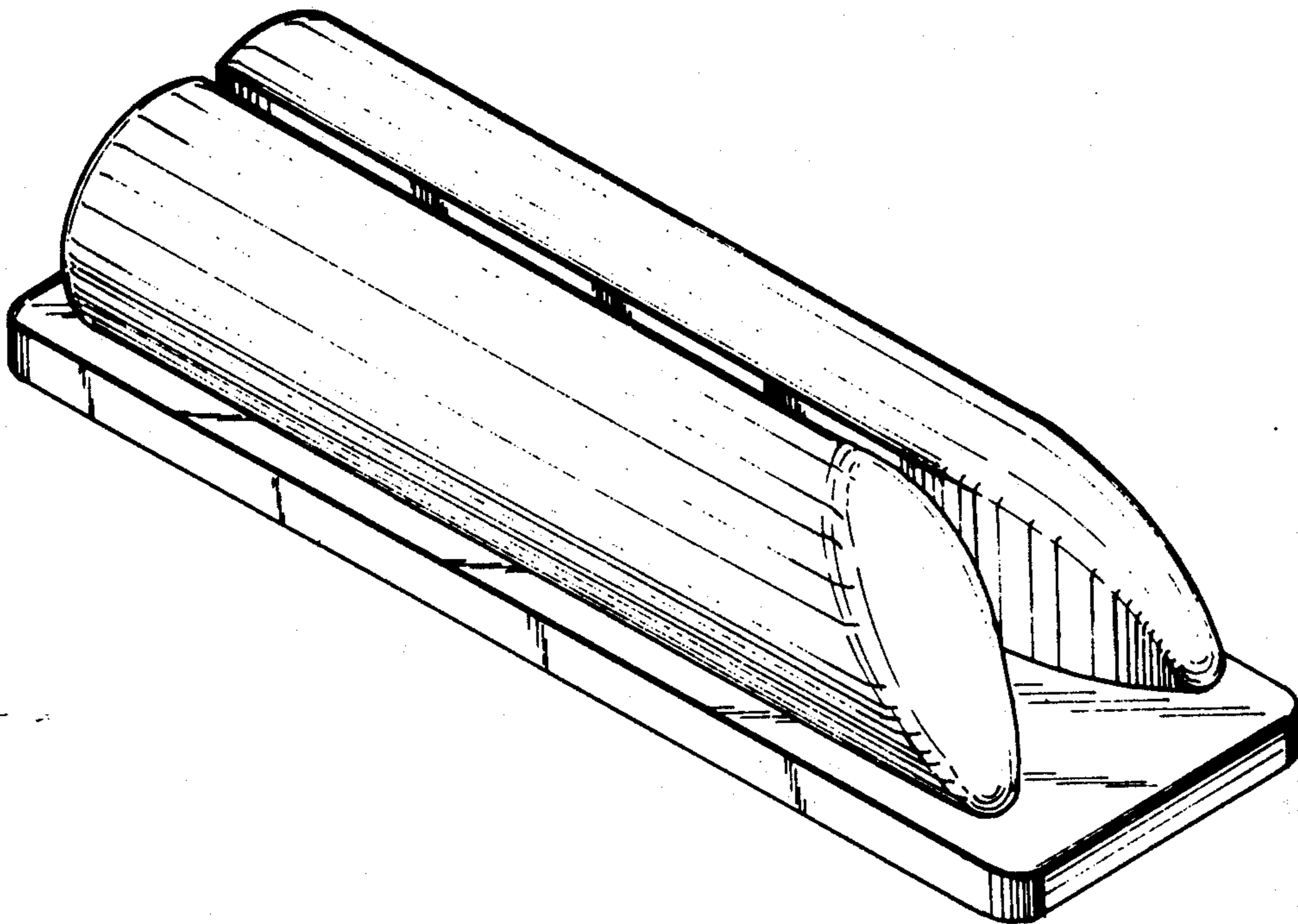
Primary Examiner—Susan J. Lucas
Attorney, Agent, or Firm—Fred Jacob

[57] CLAIM

The ornamental design for a card reader head assembly, substantially as shown and described.

DESCRIPTION

FIG. 1 is a perspective view of a card reader head assembly embodying our new design; FIG. 2 is a front view in elevation of the same head assembly; FIG. 3 is a right hand side view in elevation of the same head assembly; FIG. 4 is a plan view of the same head assembly; and FIG. 5 is a left hand side view in elevation of the same head assembly.



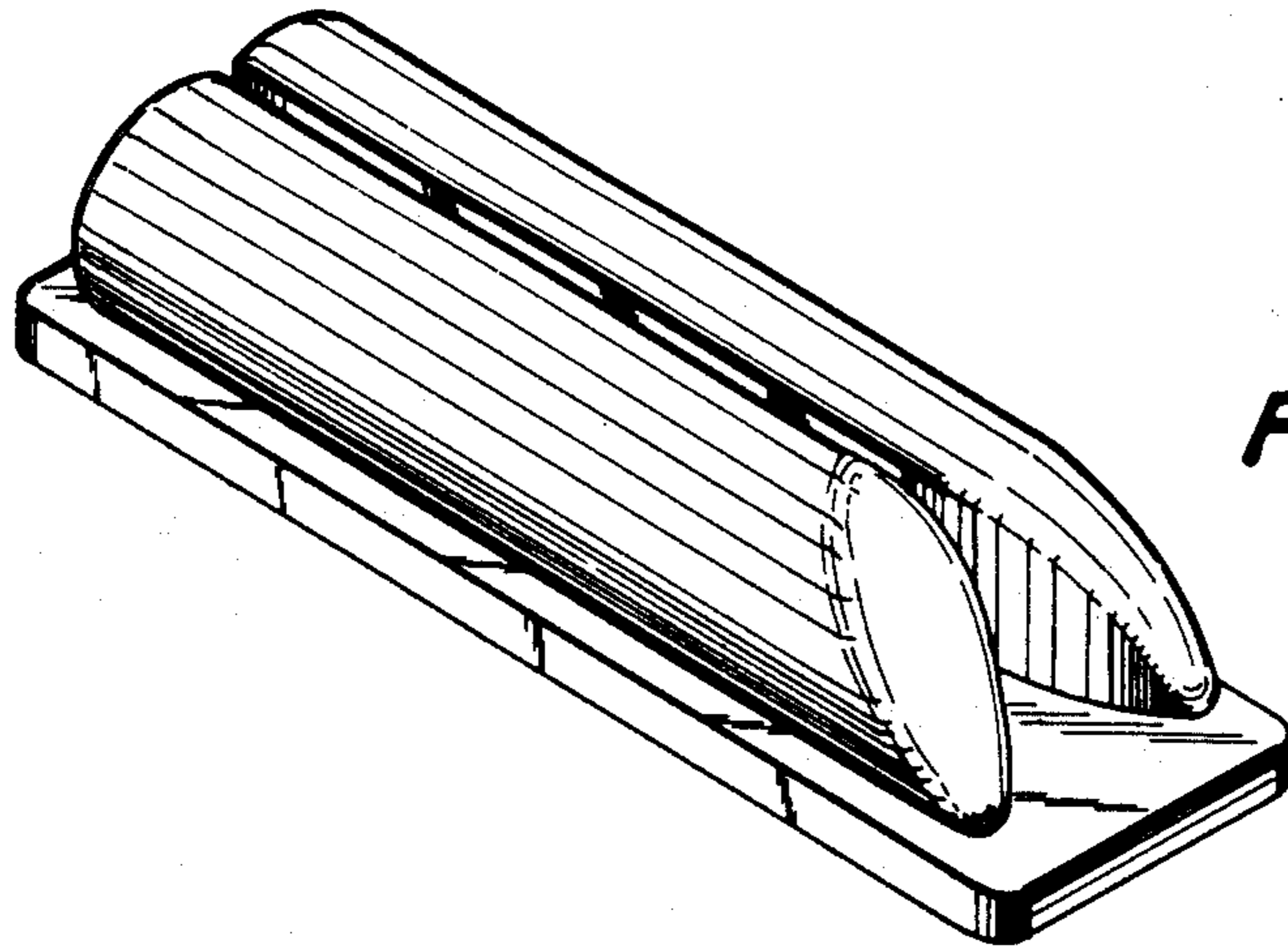


FIG. 1

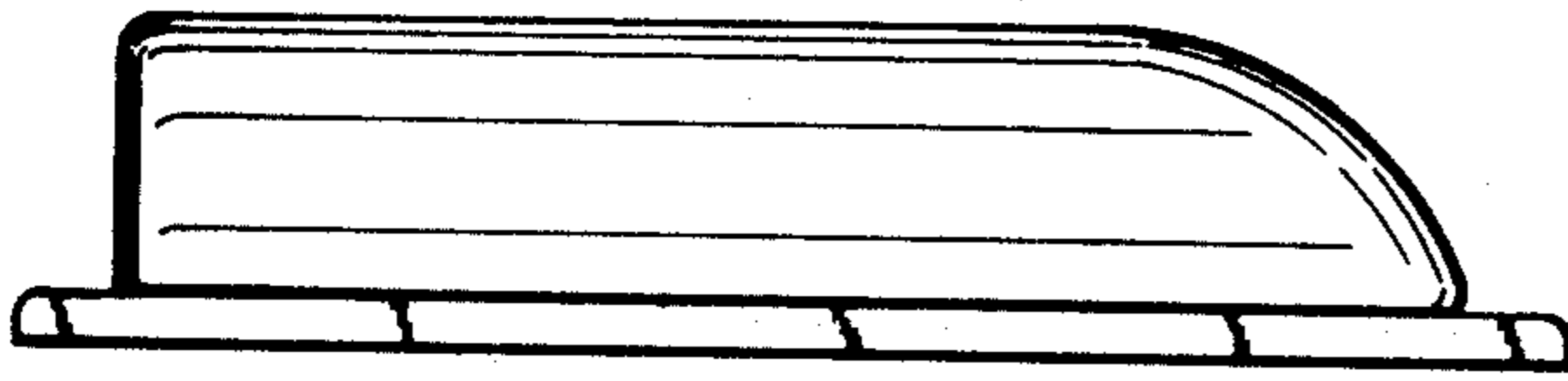


FIG. 2

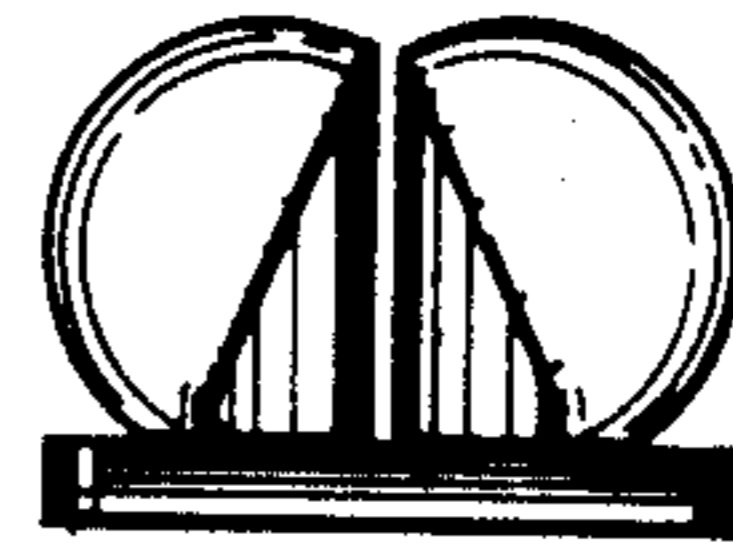


FIG. 3

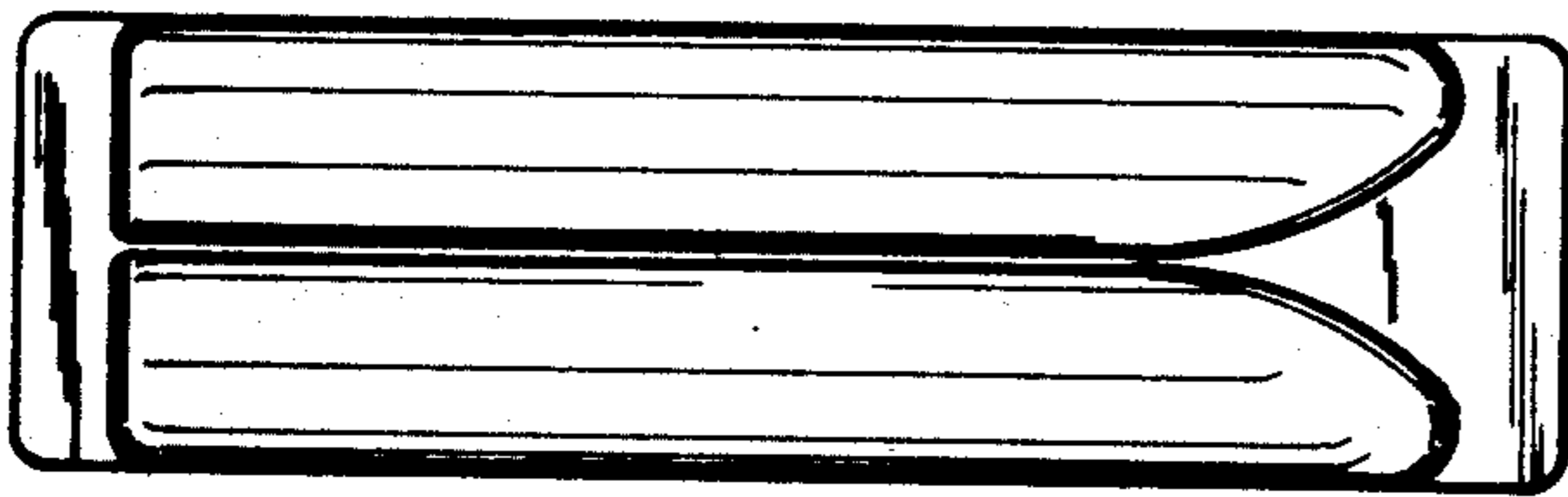


FIG. 4

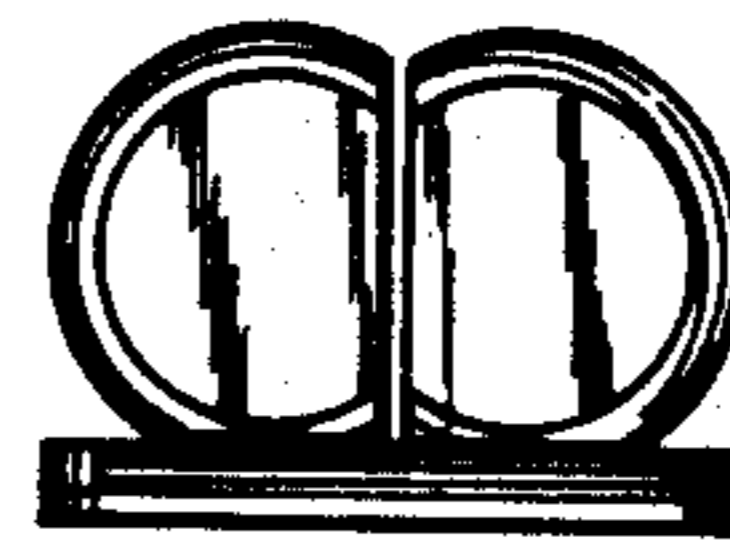


FIG. 5