

[54] DRAPERY ROD

[76] Inventor: Robert S. Rudinski, 515 East St., Elkhart, Ind. 46514

[**] Term: 14 Years

[21] Appl. No.: 793,441

[22] Filed: May 3, 1977

[51] Int. Cl. D8-09

[52] U.S. Cl. D8/377; D25/74

[58] Field of Search D8/376, 377; D25/74, D25/75, 76, 79; 404/65, 64, 69, 32; 403/169, 231, 263, 401, 402; 52/309, 312, 400, 656, 716, 718, 727, 732, 735, 737, 758

[56] References Cited

U.S. PATENT DOCUMENTS

D. 177,034	3/1956	Fridolph	D8/377
D. 232,910	9/1974	Duperrex	D8/377
D. 233,520	11/1974	Le Van	D25/74
D. 240,707	7/1976	Rudinski	D8/377
2,000,978	5/1935	Moseley	404/17

OTHER PUBLICATIONS

Designing With Aluminum Extrusions by Reynolds Metals Co., c. 1957, p. 78, FIG. 98.

Primary Examiner—A. Hugo Word
Attorney, Agent, or Firm—George R. Caruso

[57] CLAIM

The ornamental design for a drapery rod, substantially as shown and described.

DESCRIPTION

FIG. 1 is a perspective view of a drapery rod embodying an additional modified form of the present invention;

FIG. 2 is a front elevational view of the drapery rod shown in FIG. 1;

FIG. 3 is a bottom plan view of the drapery rod shown in FIGS. 1 and 2;

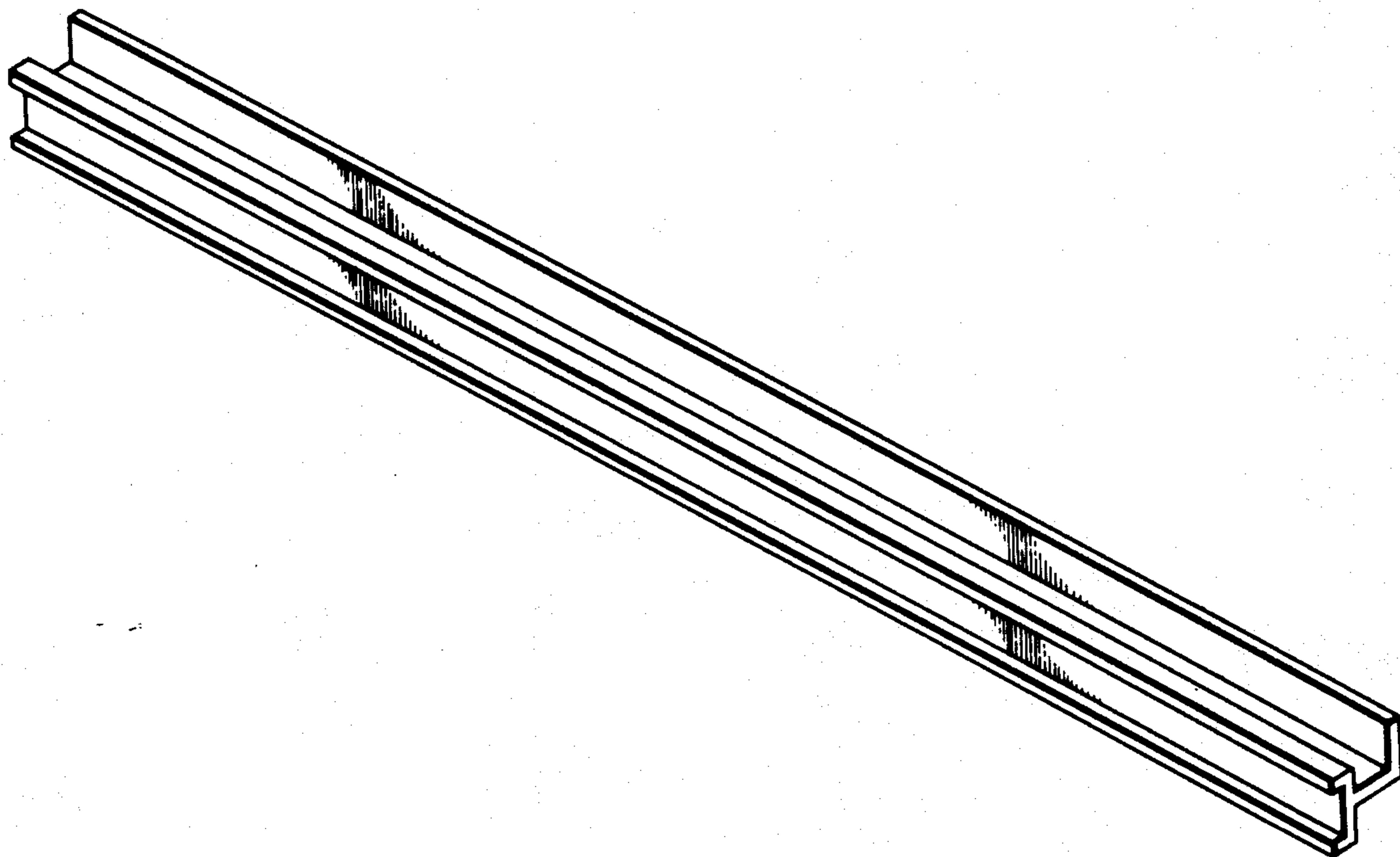
FIG. 4 is an enlarged elevational view of the end of the drapery rod shown in FIG. 1; and

FIG. 5 is a perspective view of a drapery rod embodying a further modified form of the present invention;

FIG. 6 is a front elevational view of the drapery rod shown in FIG. 5;

FIG. 7 is a bottom plan view of the drapery rod shown in FIGS. 5 and 6, and

FIG. 8 is an enlarged elevational view of the end of the drapery rod shown in FIG. 5.



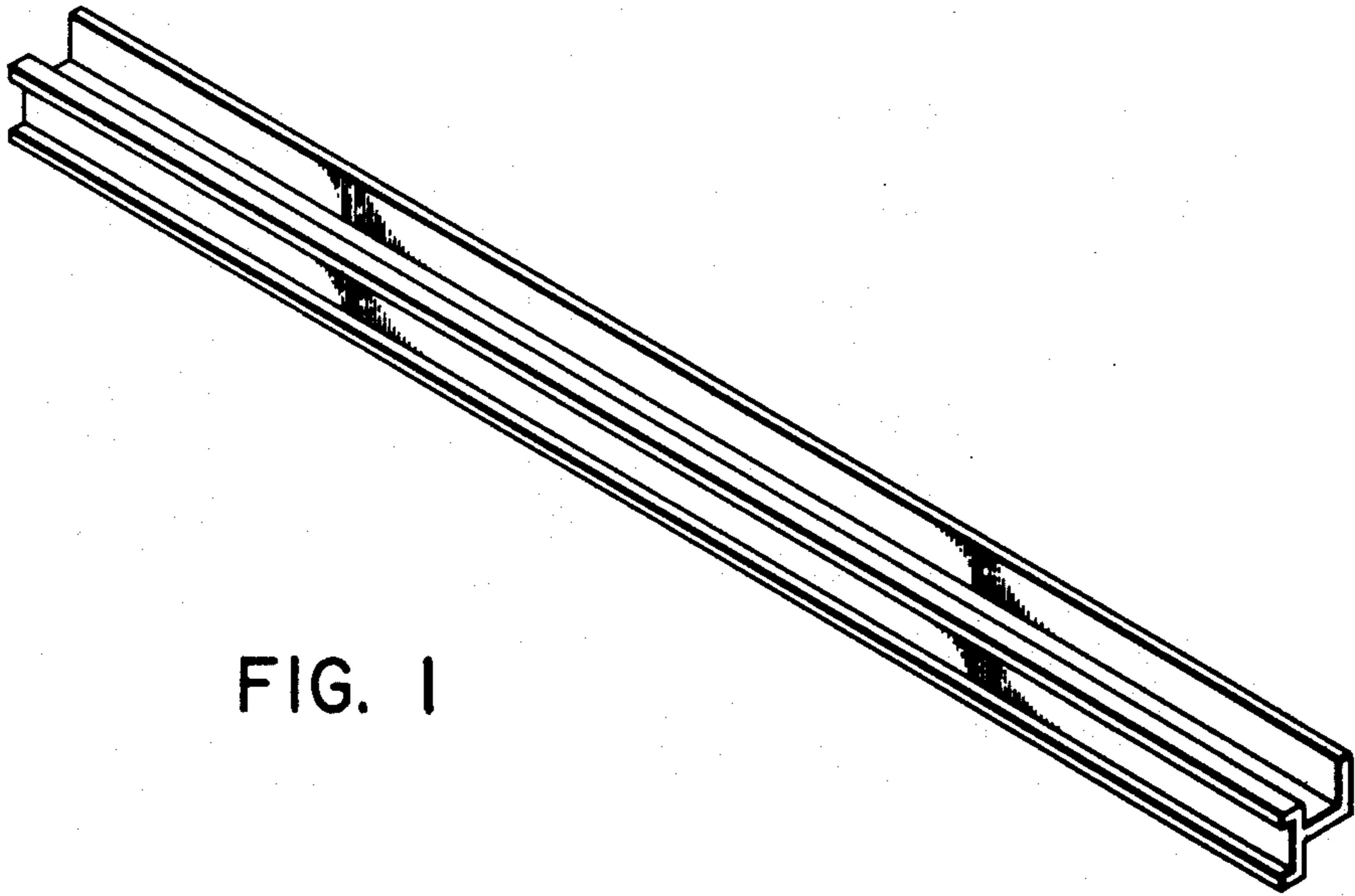


FIG. 1

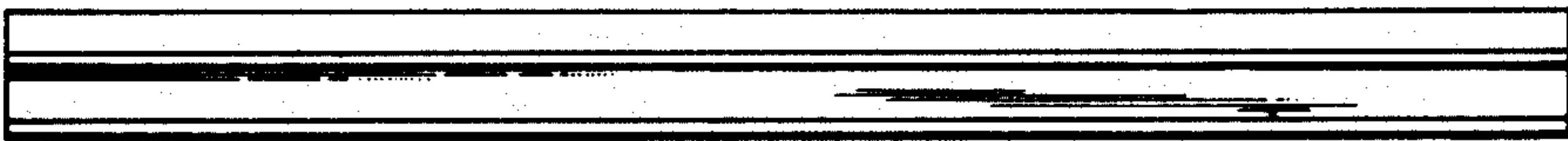


FIG. 2

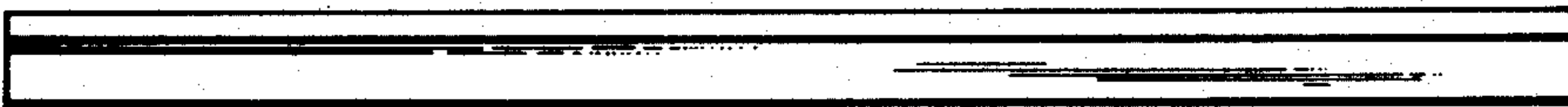


FIG. 3

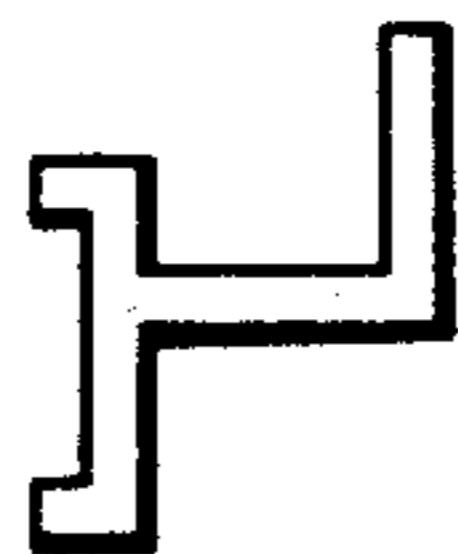


FIG. 4

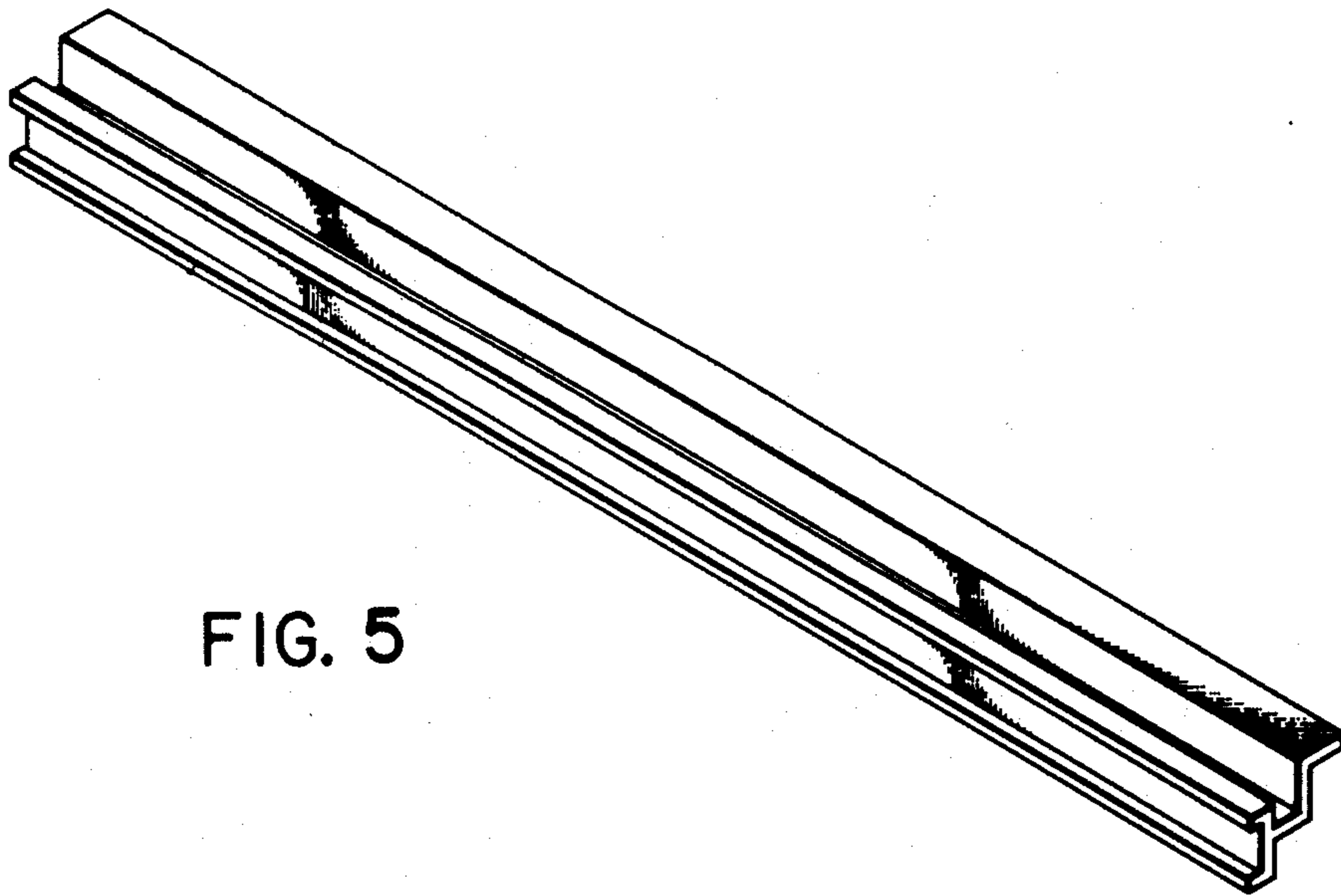


FIG. 5

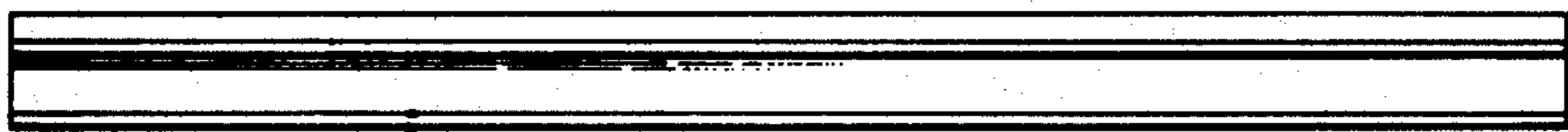


FIG. 6

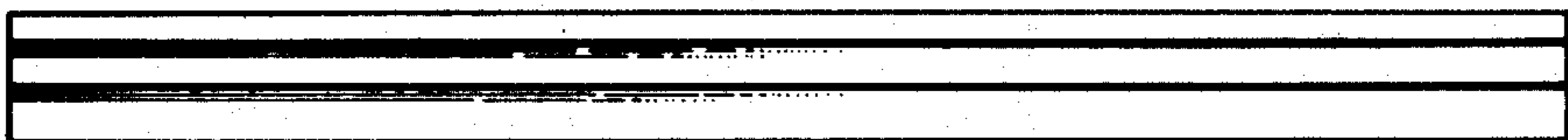


FIG. 7

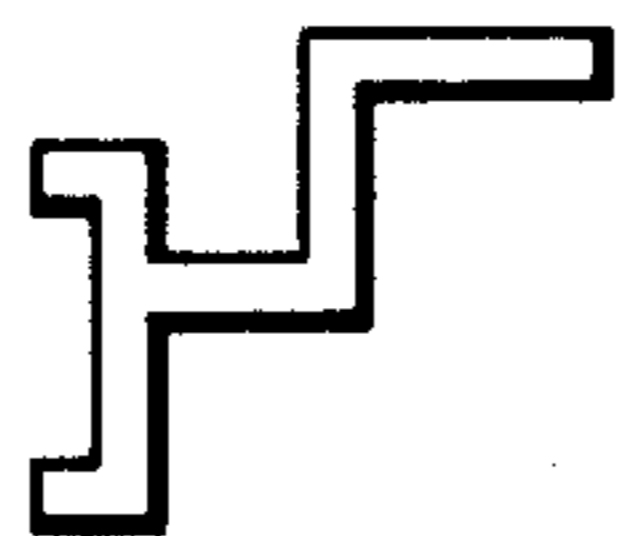


FIG. 8