

[54] BARBECUE GRILL BODY

[75] Inventor: George W. Hall, Omaha, Nebr.

[73] Assignee: Don Hall Company, Omaha, Nebr.

[**] Term: 14 Years

[21] Appl. No.: 786,629

[22] Filed: Apr. 11, 1977

[51] Int. Cl. D7-02

[52] U.S. Cl. D7/109; D7/110

[58] Field of Search D7/107, 108, 109, 110;
126/125 R, 29, 30, 9 R, 9 A, 9 B, 41 R; 99/444,
445, 446, 447, 448

[56] References Cited

U.S. PATENT DOCUMENTS

D. 212,867	12/1968	Ishida	D7/110
3,479,488	11/1969	Klemm	126/25 R
3,638,635	2/1972	Drennan	126/41 R
3,967,613	7/1976	Rybak et al.	126/41 R

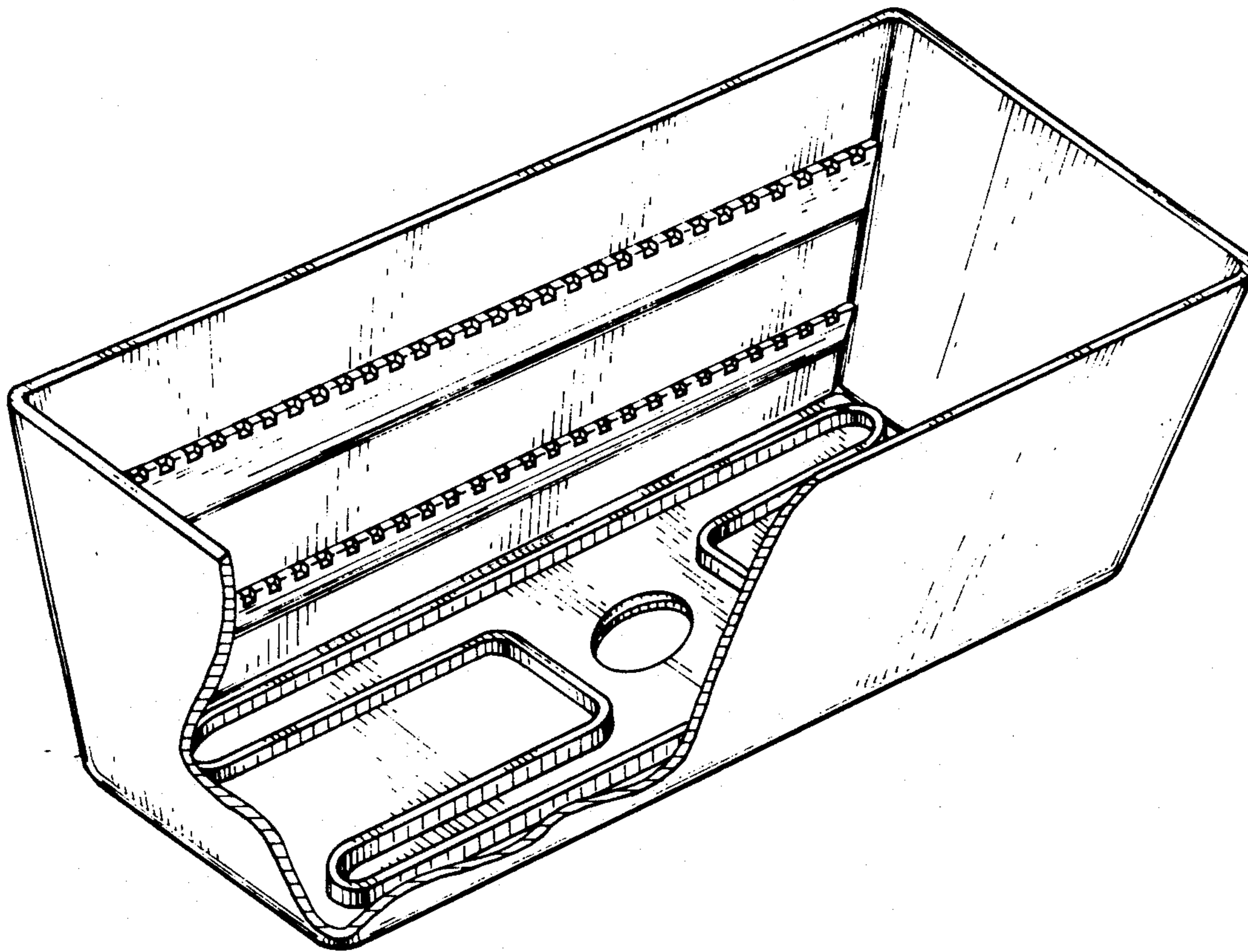
Primary Examiner—Wallace R. Burke
Assistant Examiner—Catherine Kemper
Attorney, Agent, or Firm—John W. Malley

[57] CLAIM

The ornamental design for a barbecue grill body, as shown and described.

DESCRIPTION

FIG. 1 is a side elevational view of a barbecue grill body, showing my new design, the opposite side being identical thereto;
FIG. 2 is an end elevational view thereof, the opposite end being identical thereto;
FIG. 3 is a top plan view thereof;
FIG. 4 is a longitudinal cross-sectional view thereof on line 4-4 of FIG. 3;
FIG. 5 is a transverse cross-sectional view thereof on line 5-5 of FIG. 3; and
FIG. 6 is a bottom plan view thereof.
FIG. 7 is a top perspective view thereof, with one corner broken away for completeness of disclosure.



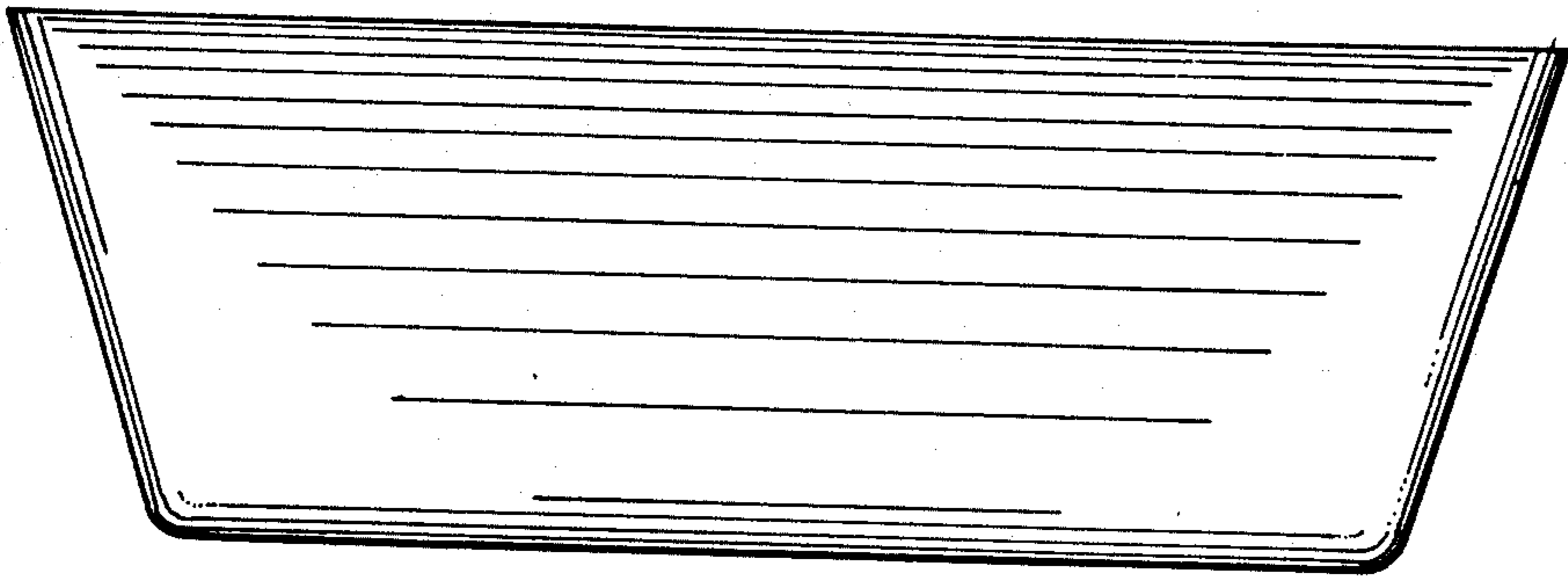


FIG. 1

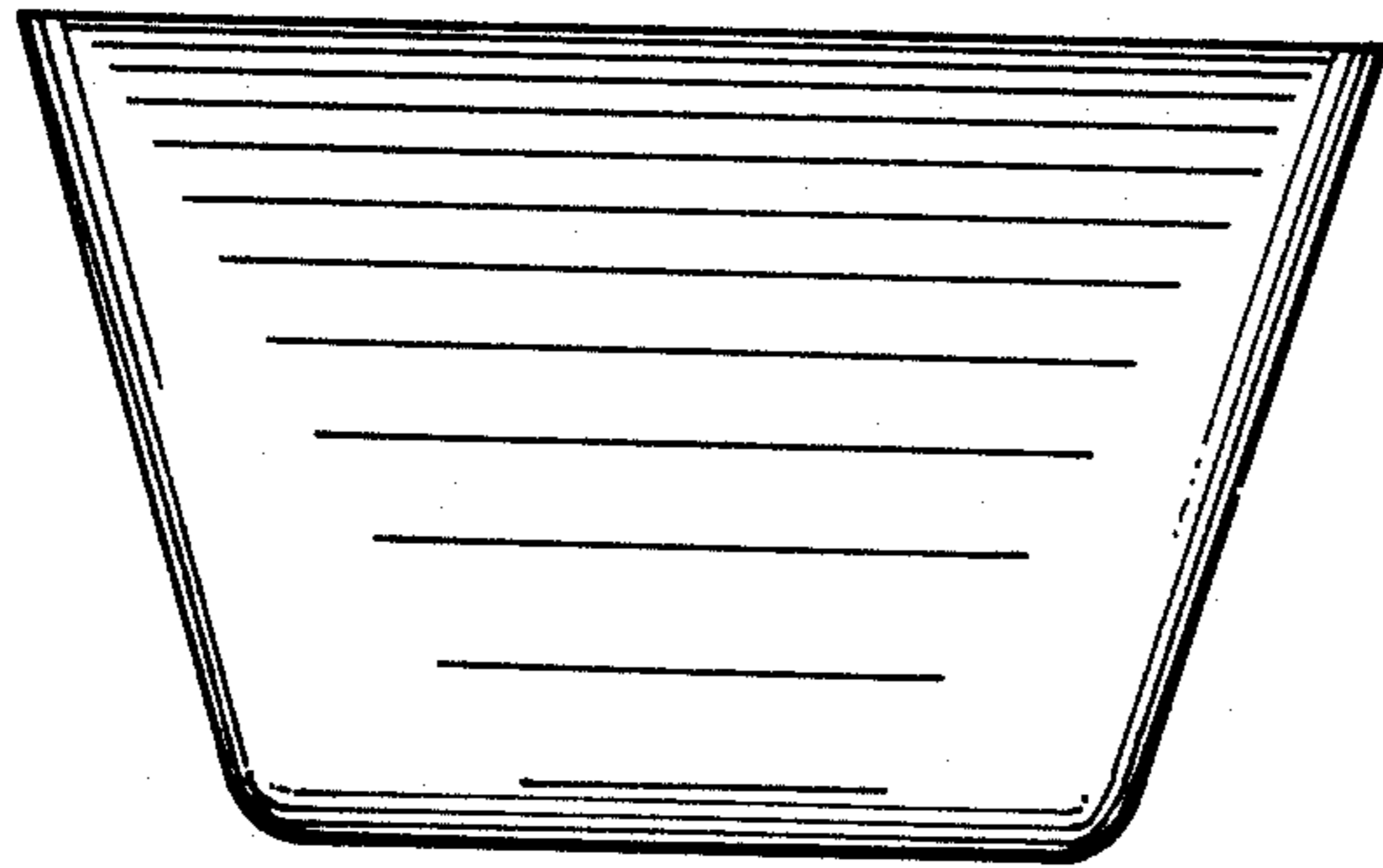


FIG. 2

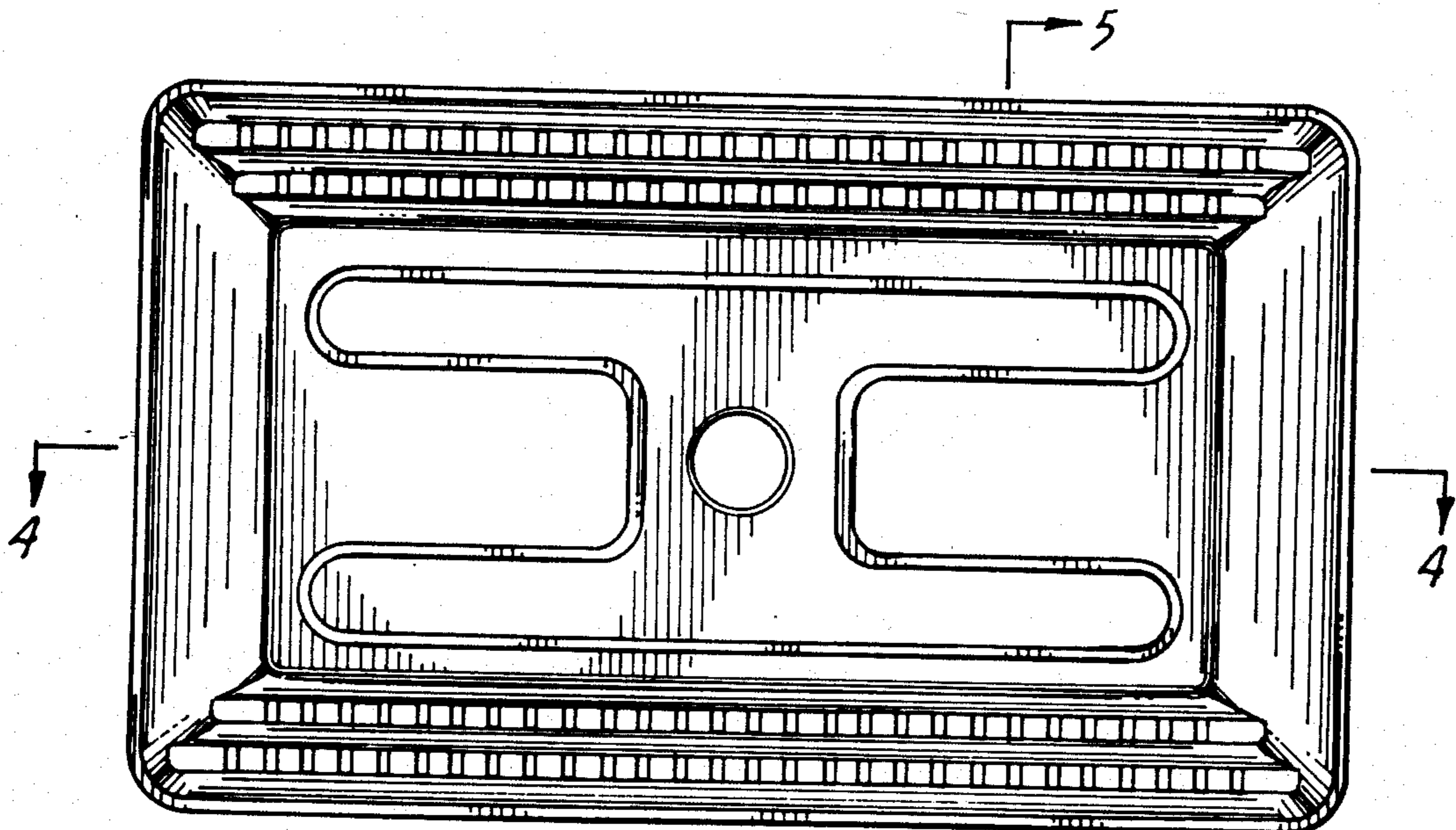


FIG. 3

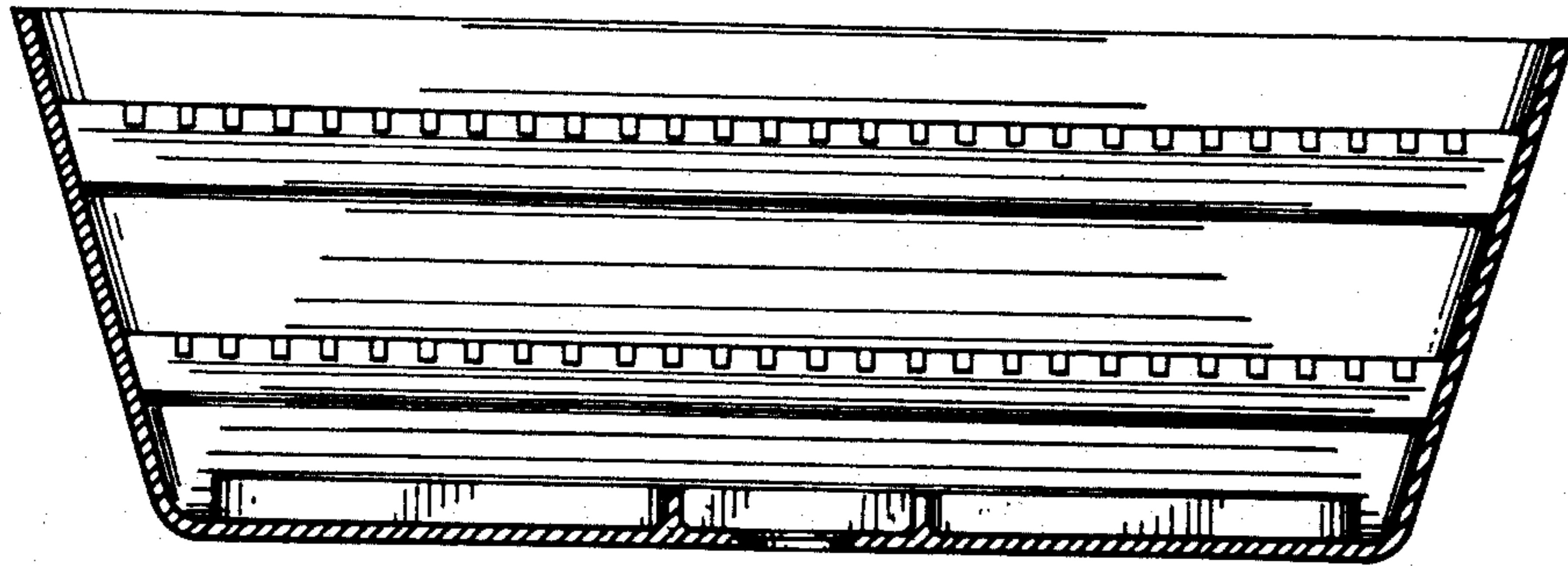


FIG. 4

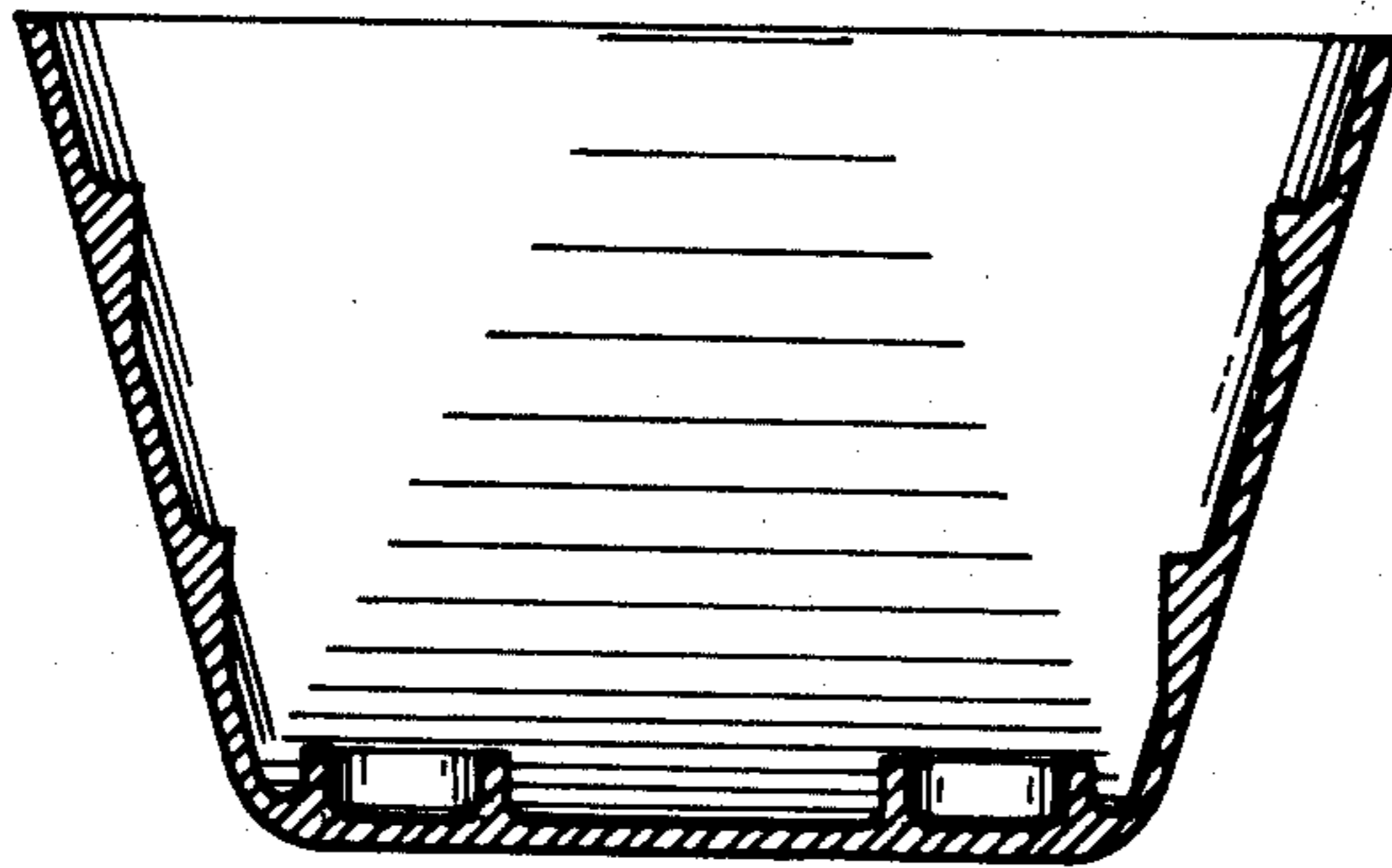


FIG. 5

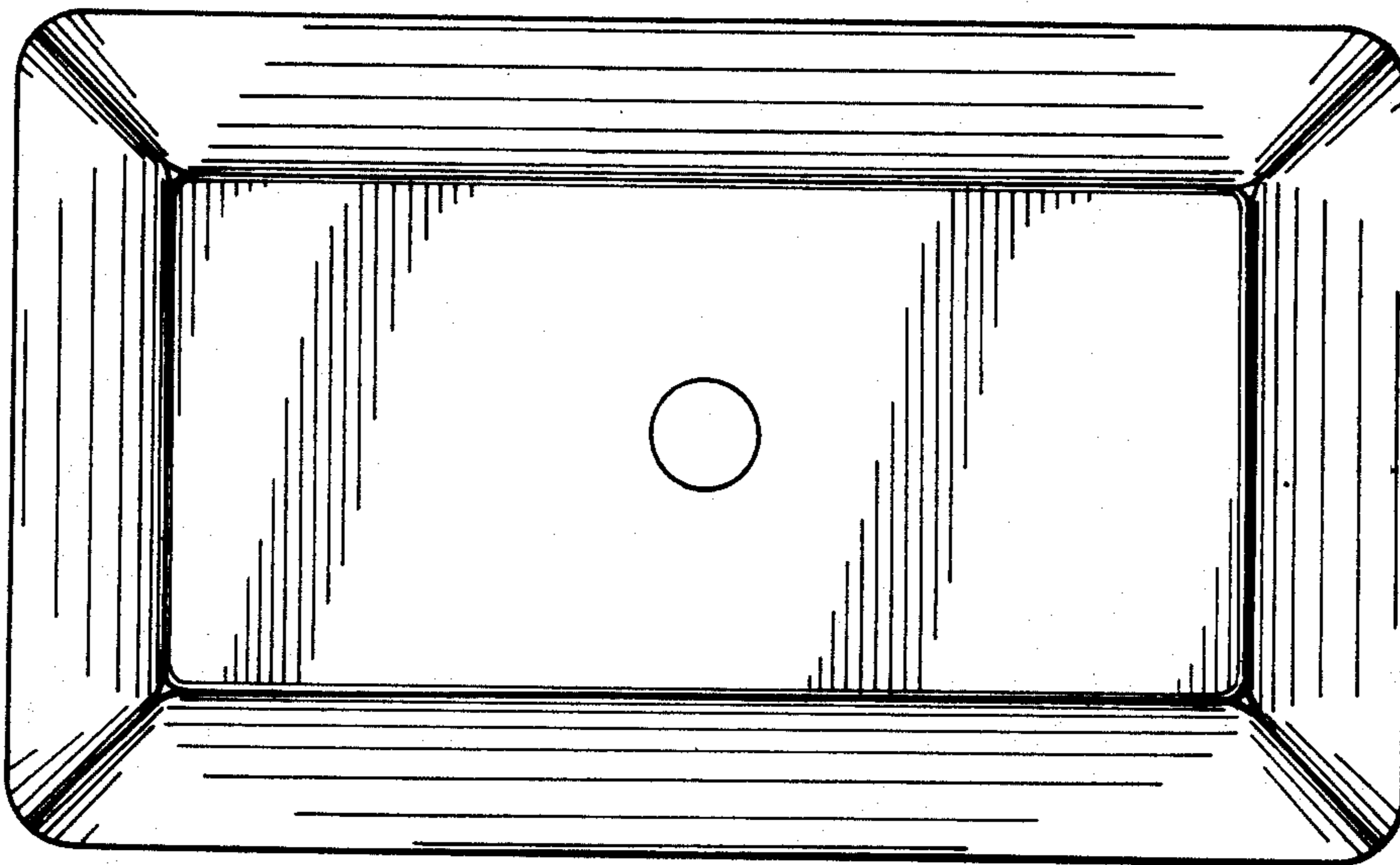


FIG. 6

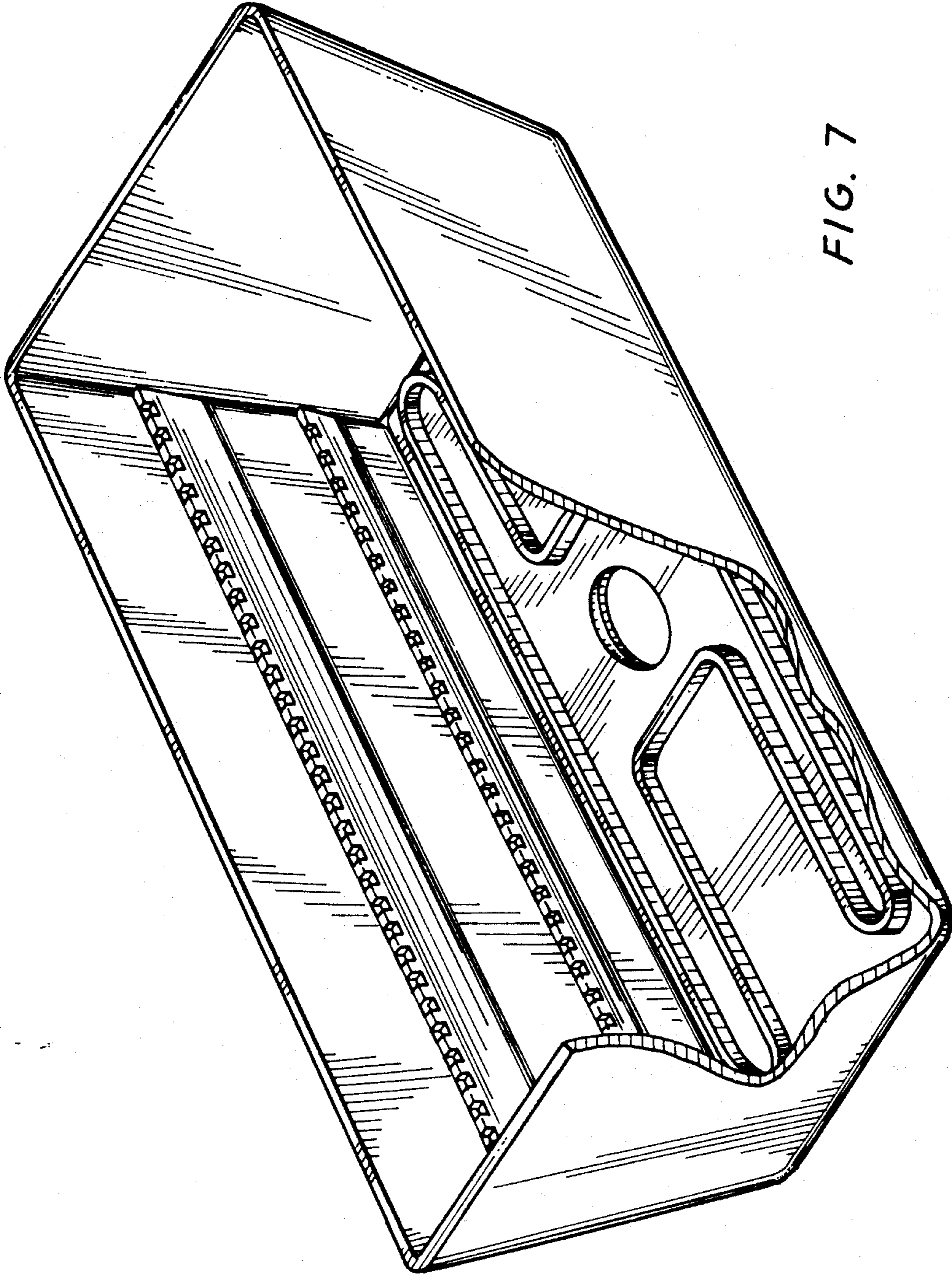


FIG. 7