

[54] SWIVEL POSTURE CHAIR CONTROL

[75] Inventor: Vincent G. Bowman, Baden, Canada

[73] Assignee: Doerner Products Co. Limited,  
Waterloo, Canada

[\*\*] Term: 14 Years

[21] Appl. No.: 835,769

[22] Filed: Sep. 22, 1977

[30] Foreign Application Priority Data

Mar. 30, 1977 [CA] Canada ..... 3003773

[51] Int. Cl. .... D6-06

[52] U.S. Cl. .... D6/191

[58] Field of Search ..... D6/26, 30, 22, 31, 191,  
D6/194, 197; 248/378, 381

[56] References Cited

U.S. PATENT DOCUMENTS

D. 212,689	11/1968	Doerner	.....	D6/191
D. 213,494	3/1969	Speicher et al.	.....	D6/191
D. 246,217	11/1977	Doerner	.....	D6/191
D. 246,558	12/1977	Doerner	.....	D6/191

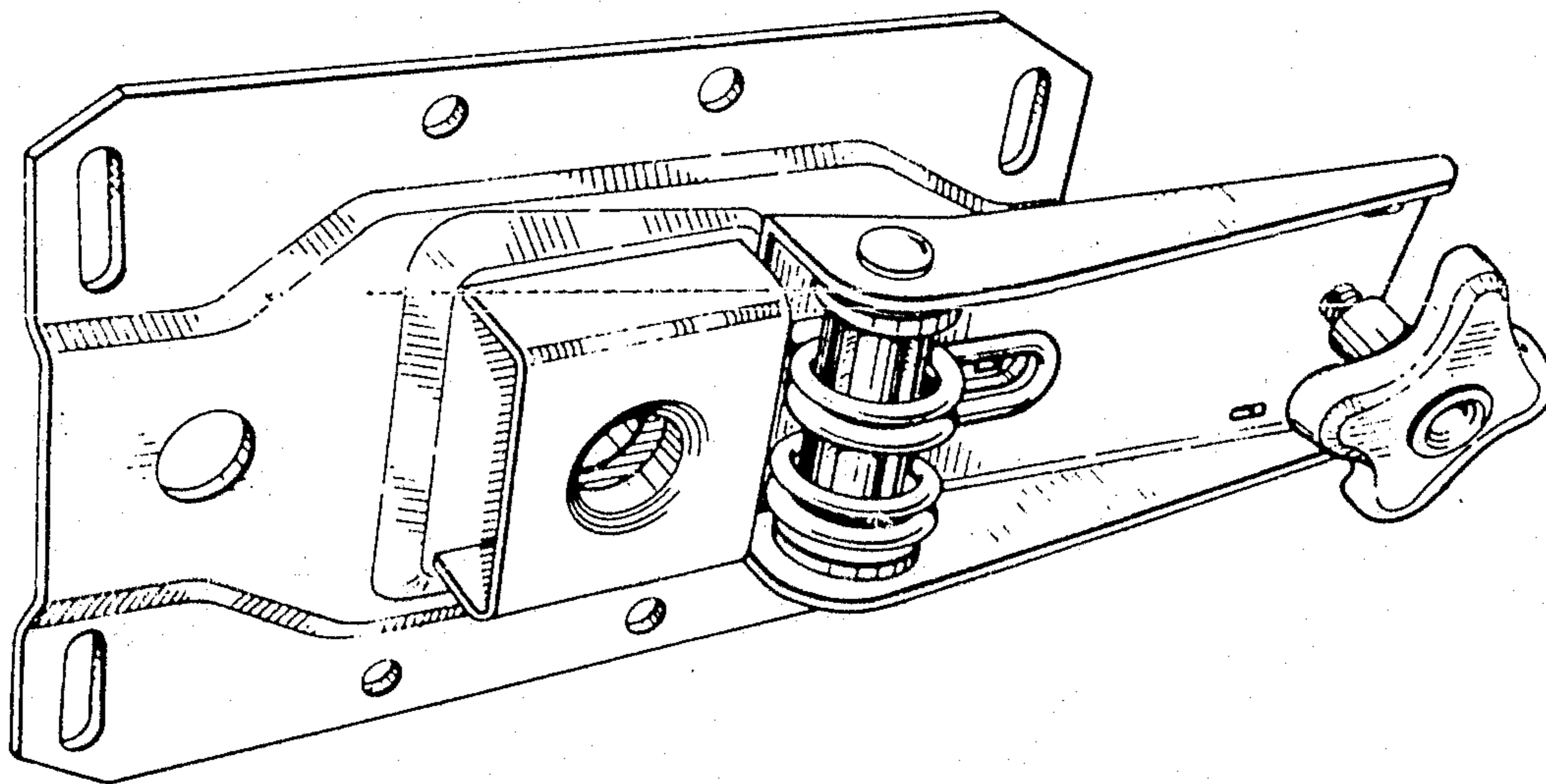
Primary Examiner—Bruce W. Dunkins  
Attorney, Agent, or Firm—David M. Rogers

[57] CLAIM

The ornamental design for a swivel posture chair control, as shown.

DESCRIPTION

FIG. 1 is a bottom perspective view of a swivel posture chair control showing my new design;  
FIG. 2 is a bottom perspective view showing the side opposite that shown in FIG. 1;  
FIG. 3 is a top perspective view; and  
FIG. 4 is a bottom plan view thereof.



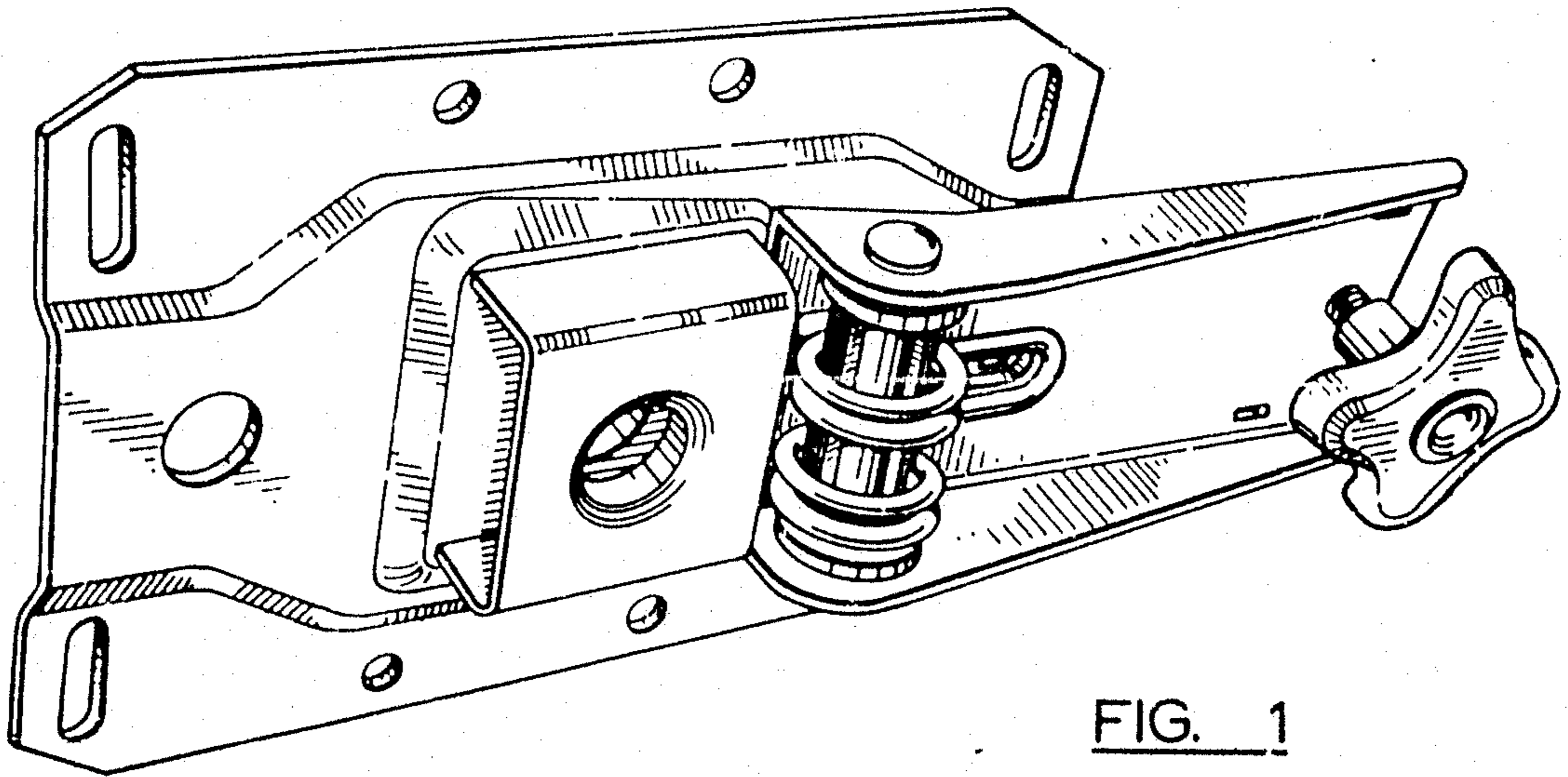


FIG. 1

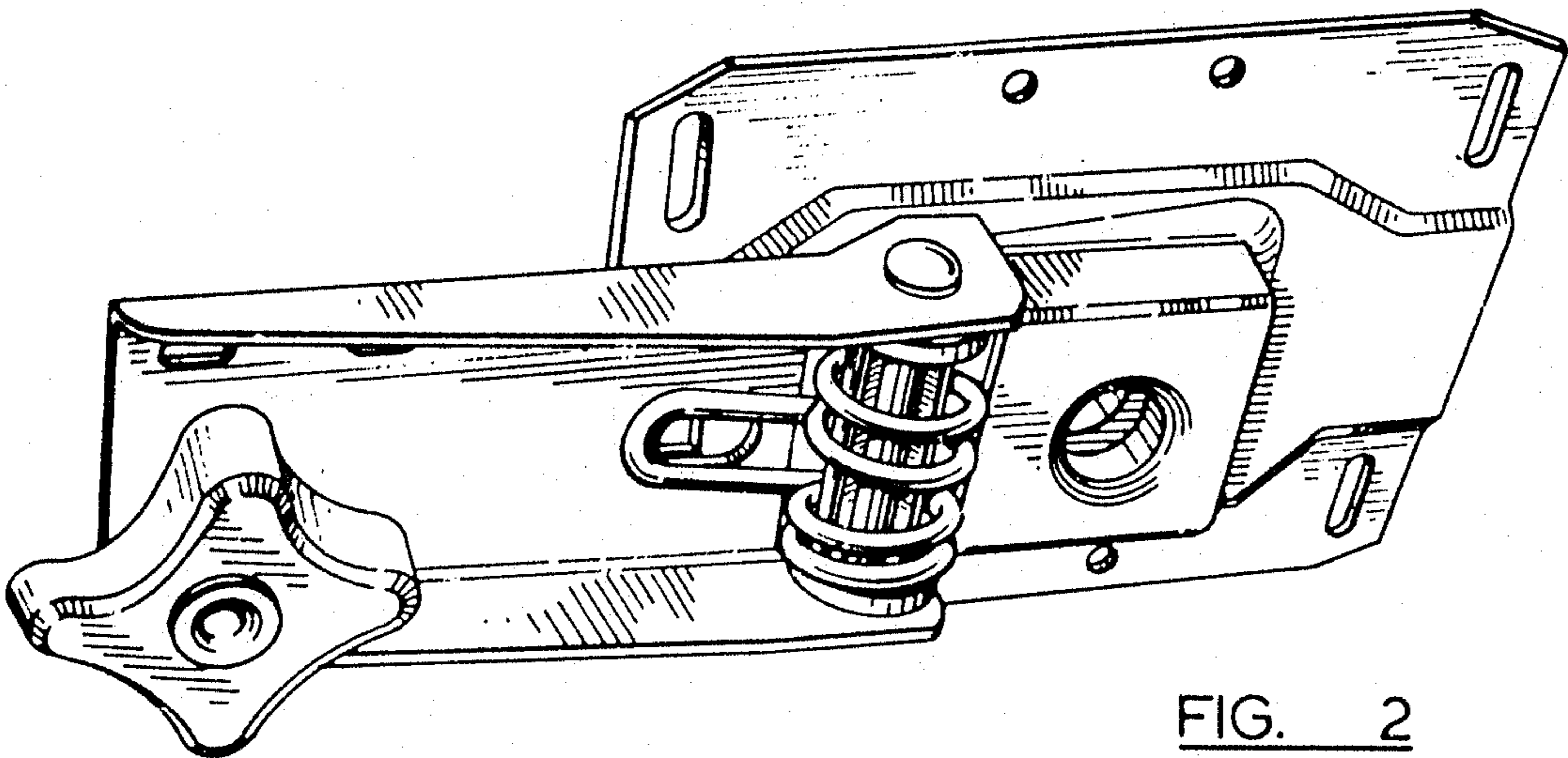


FIG. 2