

[54] PORTABLE FOLDABLE BAR

[76] Inventor: Harold Brickman, 2911 W. Catalpa, Chicago, Ill. 60625

[\*\*] Term: 14 Years

[21] Appl. No.: 813,083

[22] Filed: Jul. 5, 1977

[51] Int. Cl. .... D6-99

[52] U.S. Cl. .... D6/144; D6/157; D6/175; D6/178; D6/179; D6/188

[58] Field of Search ..... D7/71; D6/178, 179, D6/180, 146, 149

[56] References Cited

U.S. PATENT DOCUMENTS

D. 229,816 1/1974 Wynveen et al. .... D7/71

D. 232,286 8/1974 Galuten ..... D7/71 X  
D. 233,392 10/1974 Hutchison ..... D6/178  
3,244,125 4/1966 Mackey ..... D7/71 X

OTHER PUBLICATIONS

Telescope Catalog for 1971, p. E-2, Folding Stool.

Primary Examiner—Bruce W. Dunkins

Attorney, Agent, or Firm—Dugald S. McDougall

[57] CLAIM

The ornamental design for a portable foldable bar, as shown.

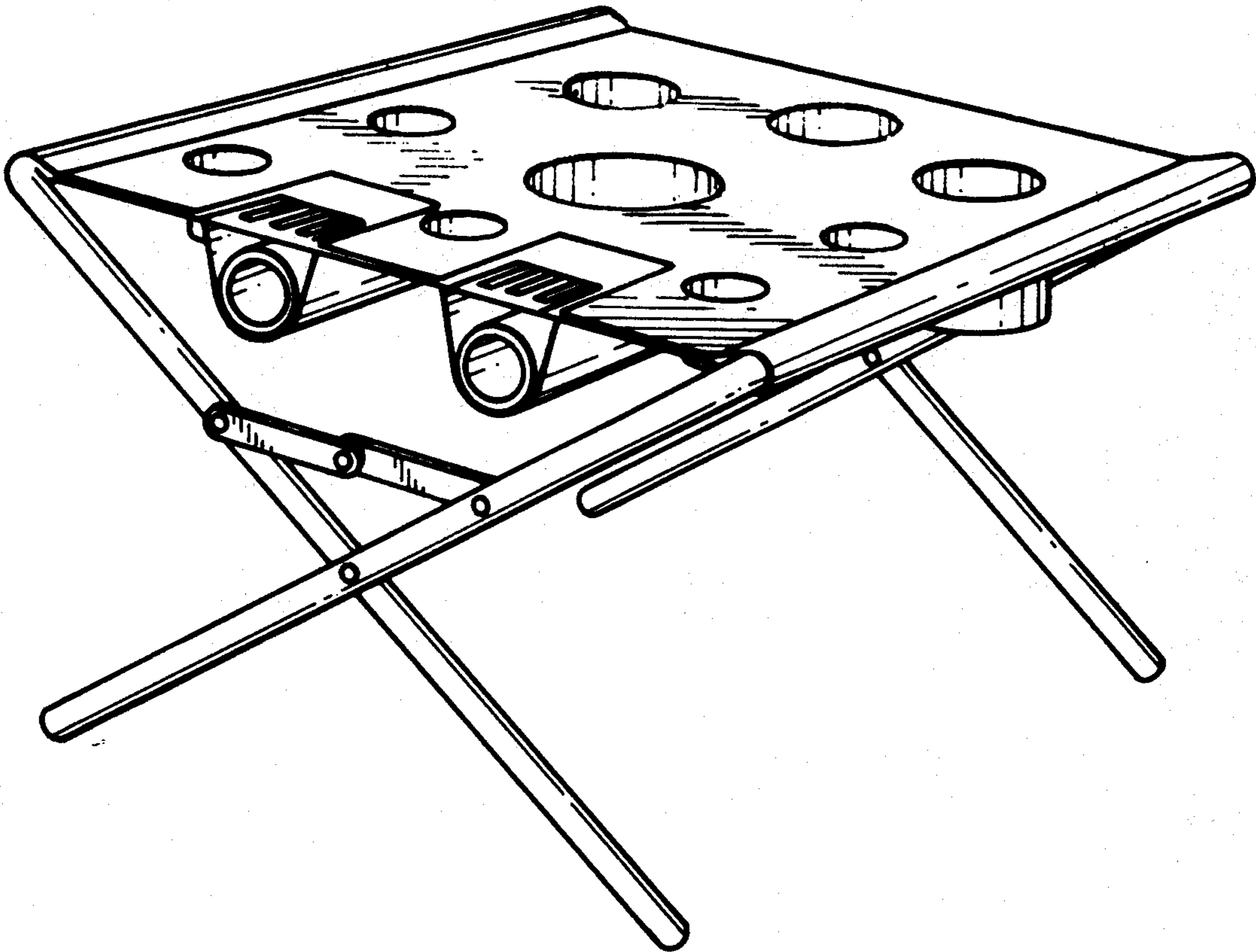
DESCRIPTION

FIG. 1 is a perspective view of a portable foldable bar showing my new design;

FIG. 2 is an end elevational view thereof;

FIG. 3 is a side elevational view thereof; and

FIG. 4 is a top plan view thereof.



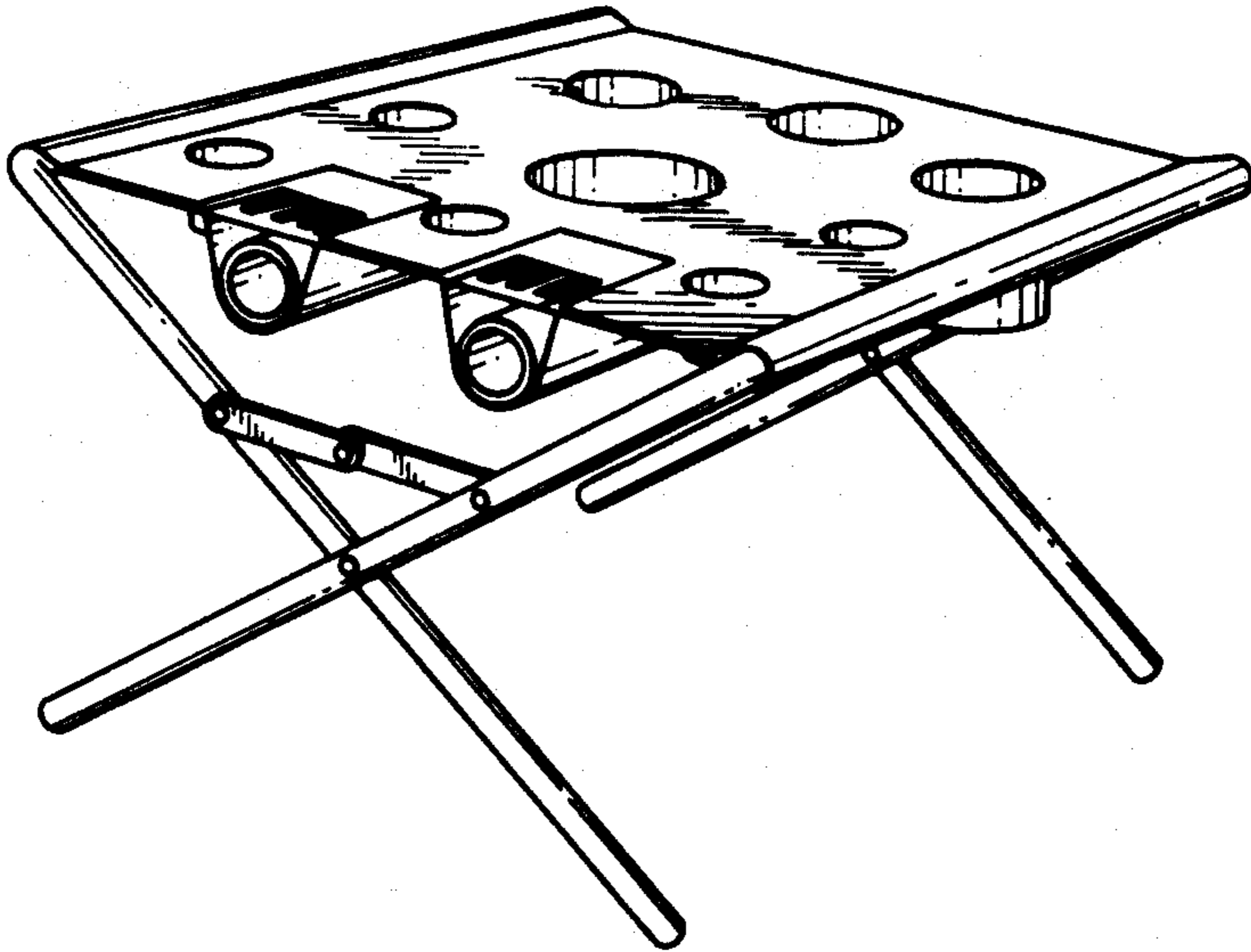


FIG. 1

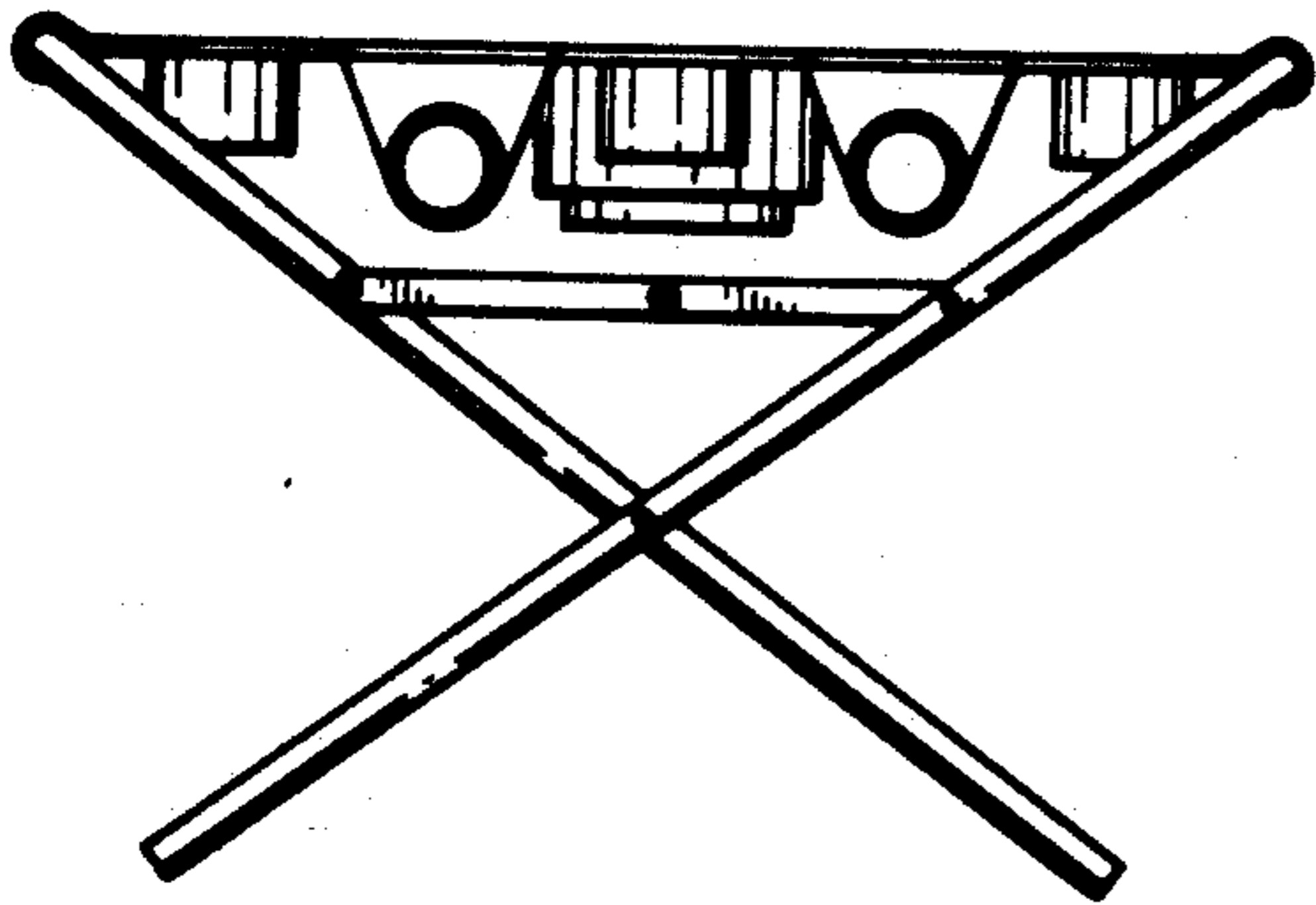


FIG. 2

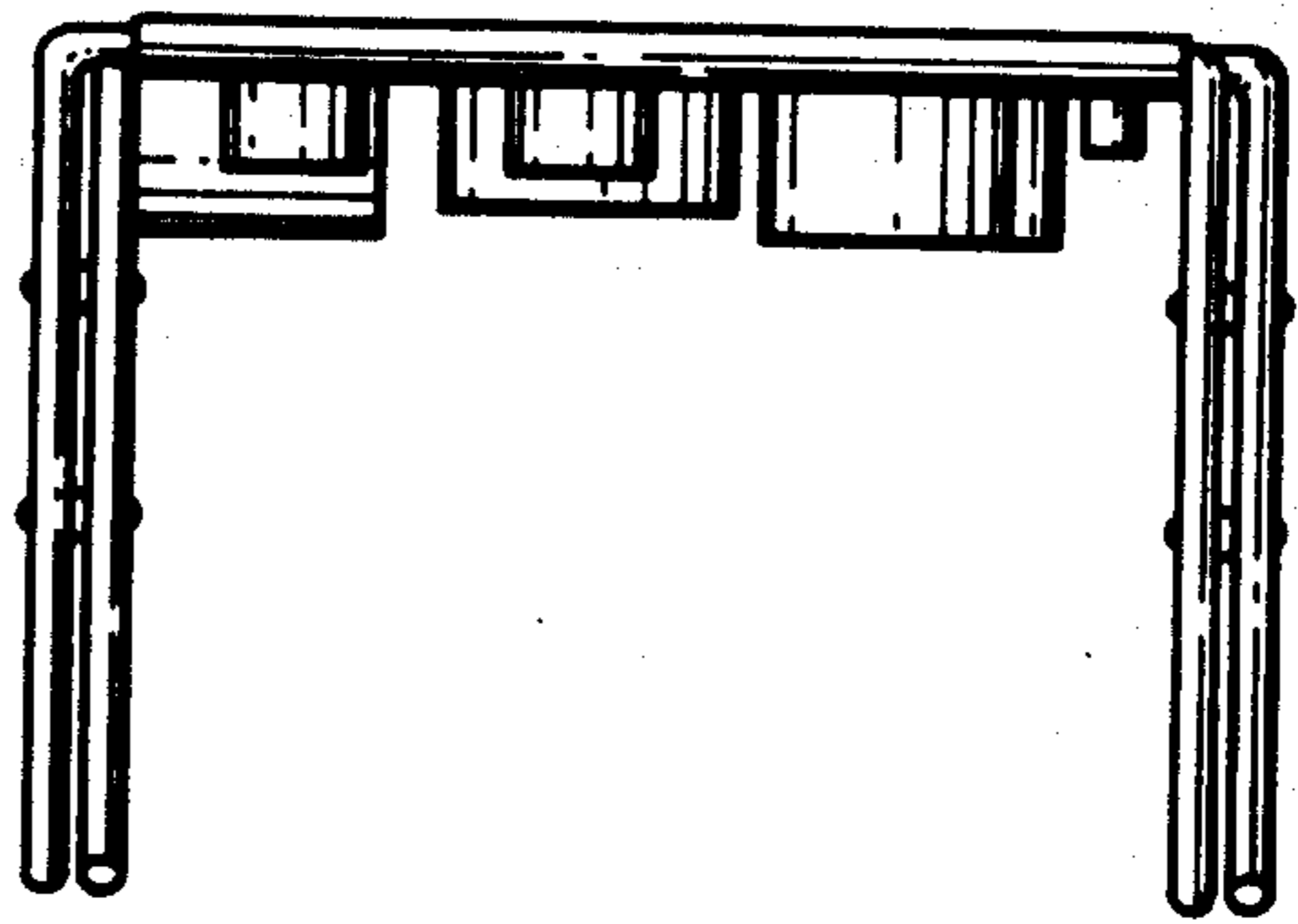


FIG. 3

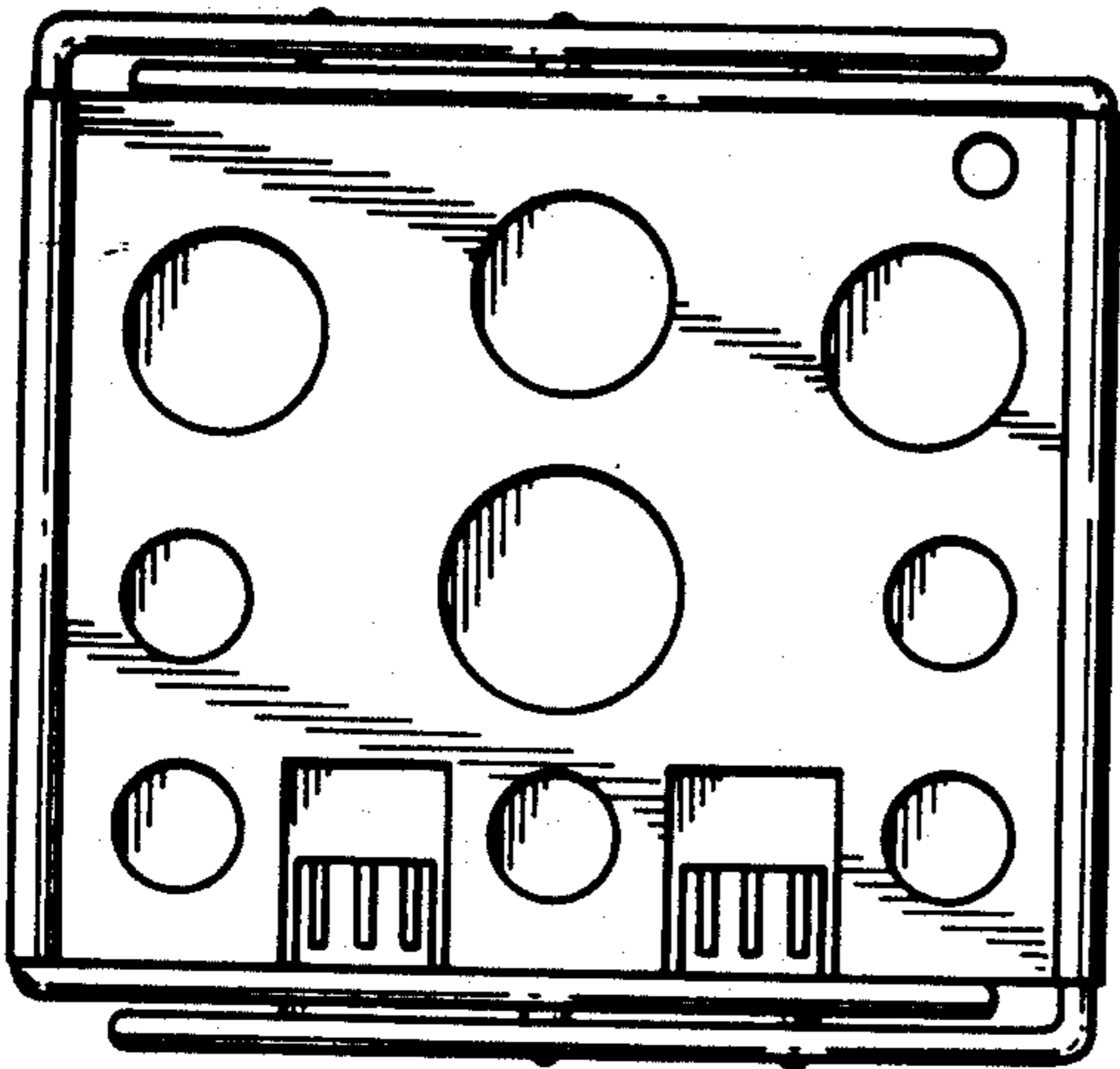


FIG. 4