

[54] TOY RAMP

[75] Inventor: Michael C. Cartabiano, Mamaroneck, N.Y.

[73] Assignee: Child Guidance Playthings, Inc.

[**] Term: 14 Years

[21] Appl. No.: 720,223

[22] Filed: Sep. 2, 1976

[51] Int. Cl. D21-01

[52] U.S. Cl. D21/91; D21/143

[58] Field of Search D34/15 AJ, 15 R, 15 K, D34/5 L, 15 AT; D12/112, 113; 46/1 R, 39, 40, 43, 248, 201, 210

[56] References Cited

PUBLICATIONS

J. C. Penny, Xmas Catalog, 1972, p. 408, Lap Timer & Competition Drag Strip.

Ward Xmas Catalog, 1973, p. 329, Drive Game at top of page.

Playthings, 2-1975, p. 166, U-Fly-It Game. Best Catalog, 1976, p. 446, item M: Tower.

Primary Examiner—Joel Stearman

Assistant Examiner—Charles A. Rademaker

Attorney, Agent, or Firm—Arthur H. Seidel

[57] CLAIM

The ornamental design for a toy ramp, as shown and described.

DESCRIPTION

FIG. 1 is a top plan view of a toy ramp showing my new design;

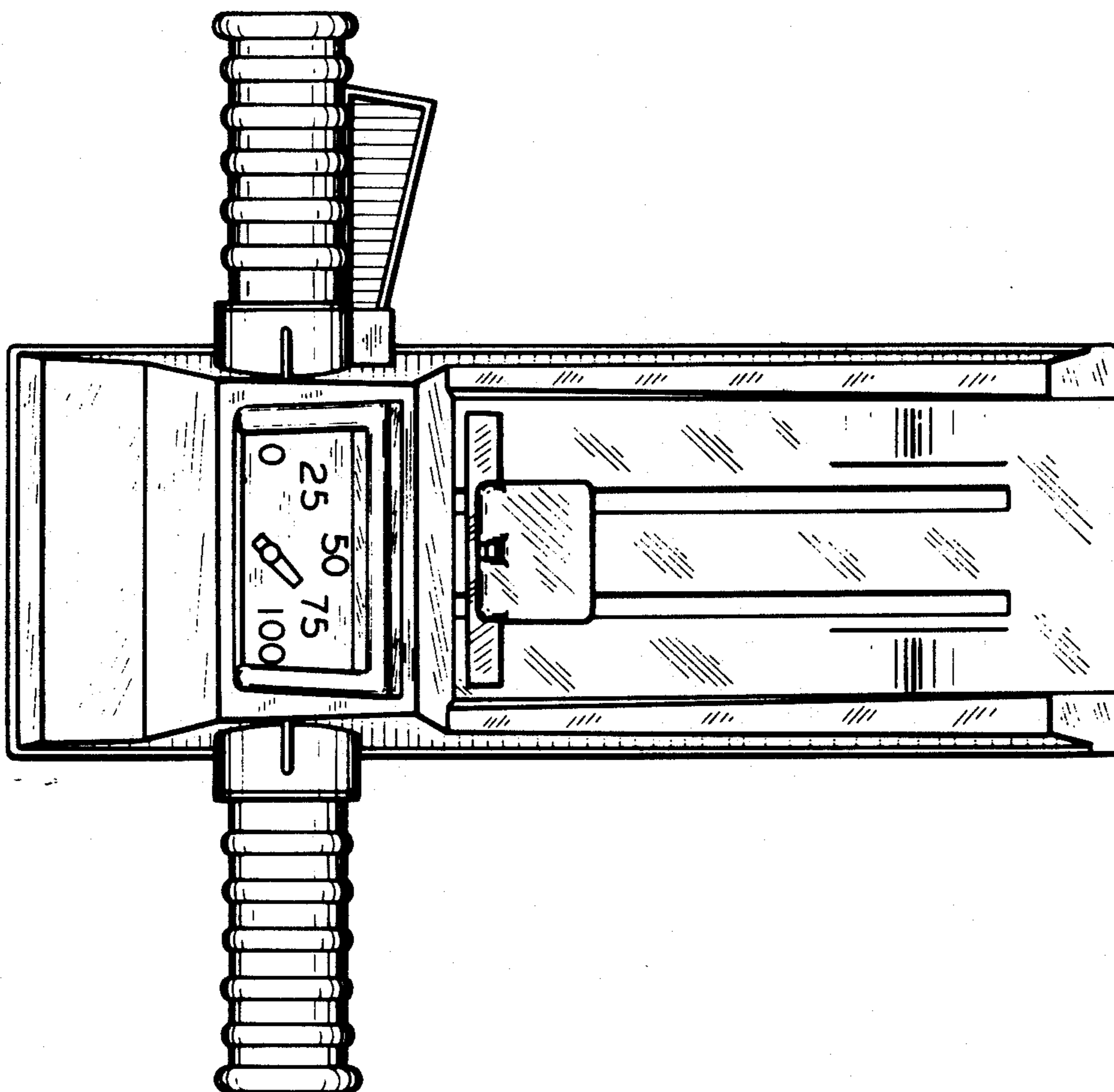
FIG. 2 is a right side elevational view thereof;

FIG. 3 is a left side elevational view thereof;

FIG. 4 is a bottom plan view thereof;

FIG. 5 is a front elevational view thereof; and,

FIG. 6 is a rear elevational view thereof.



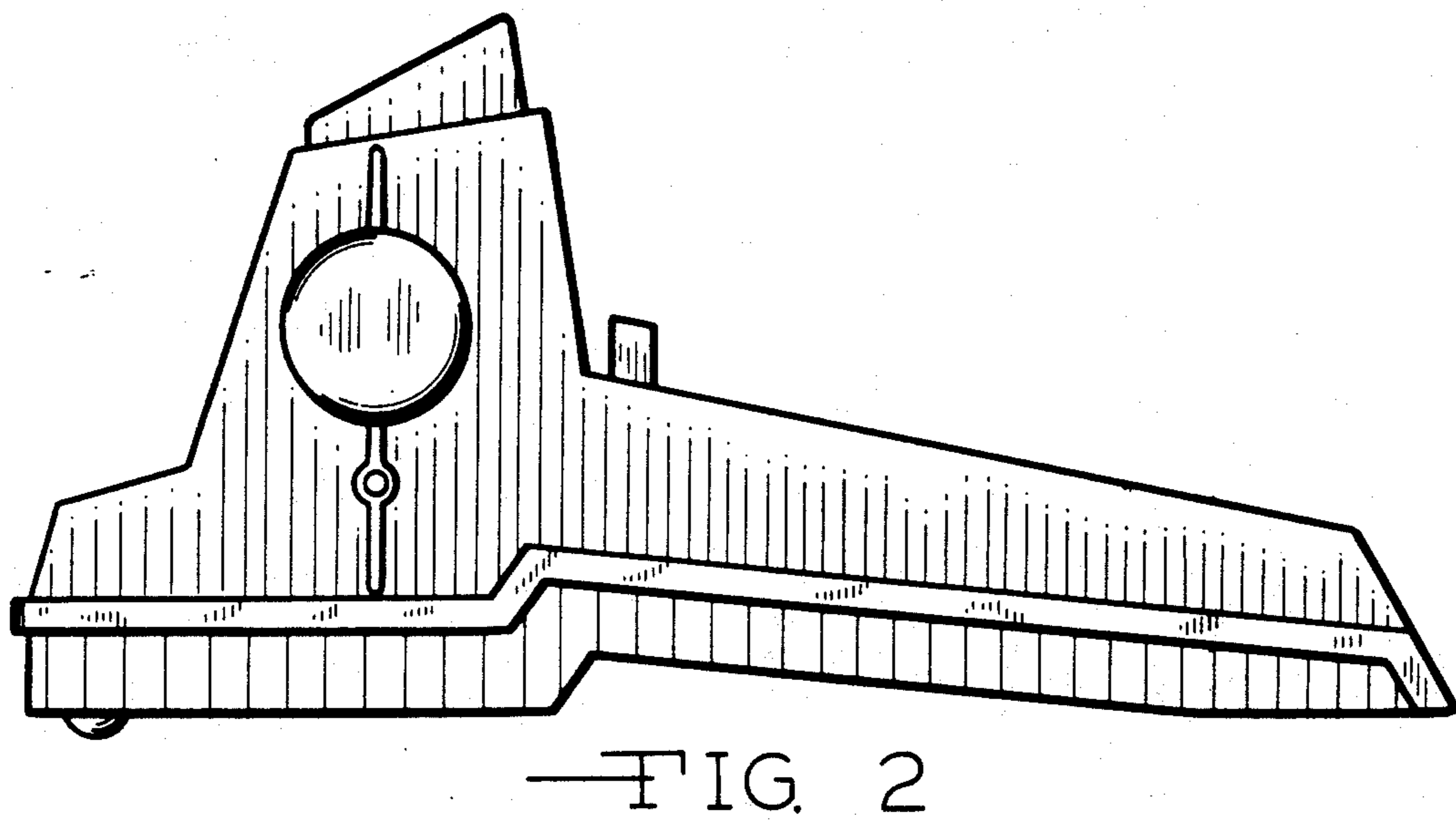
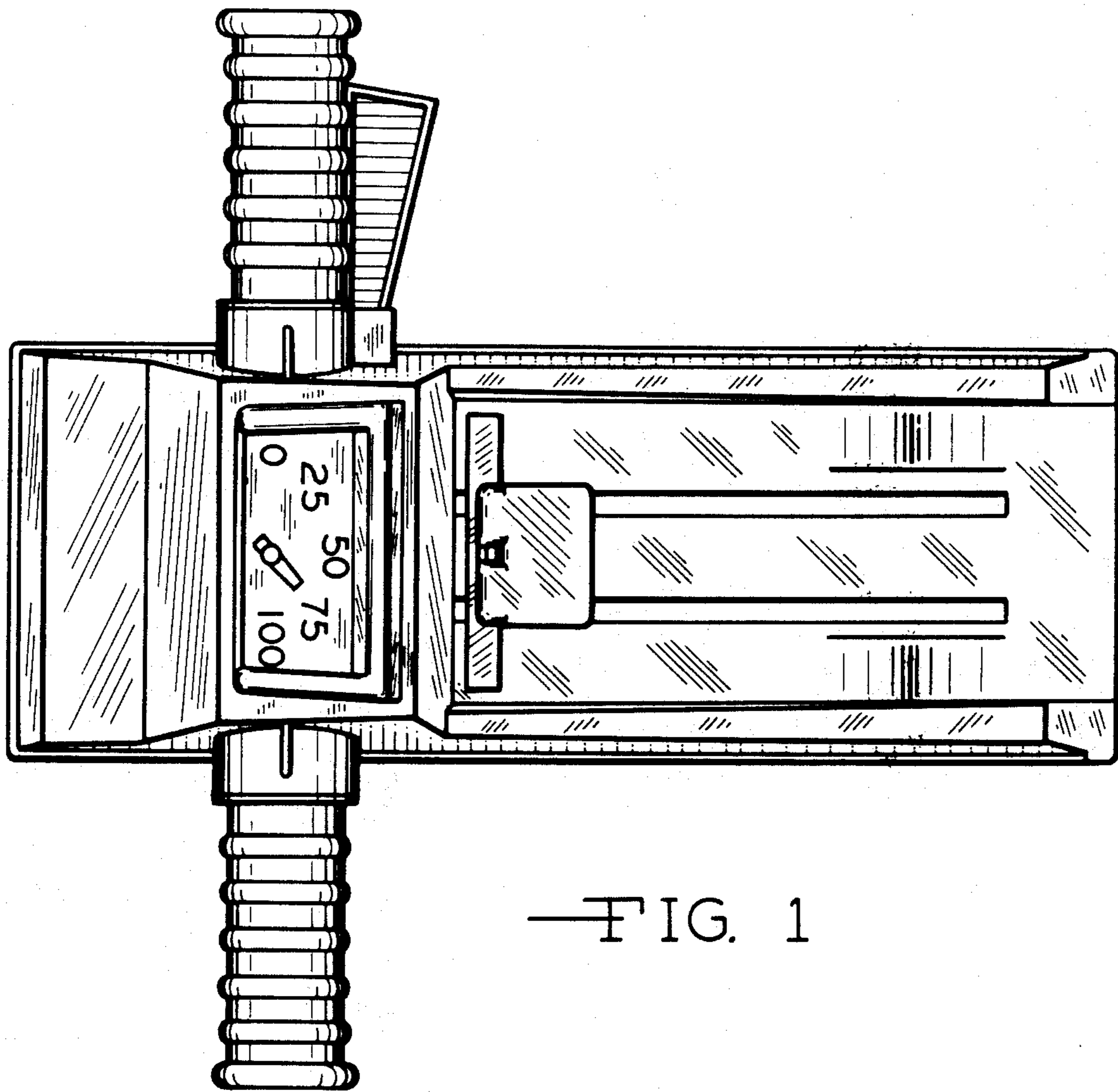


FIG. 3

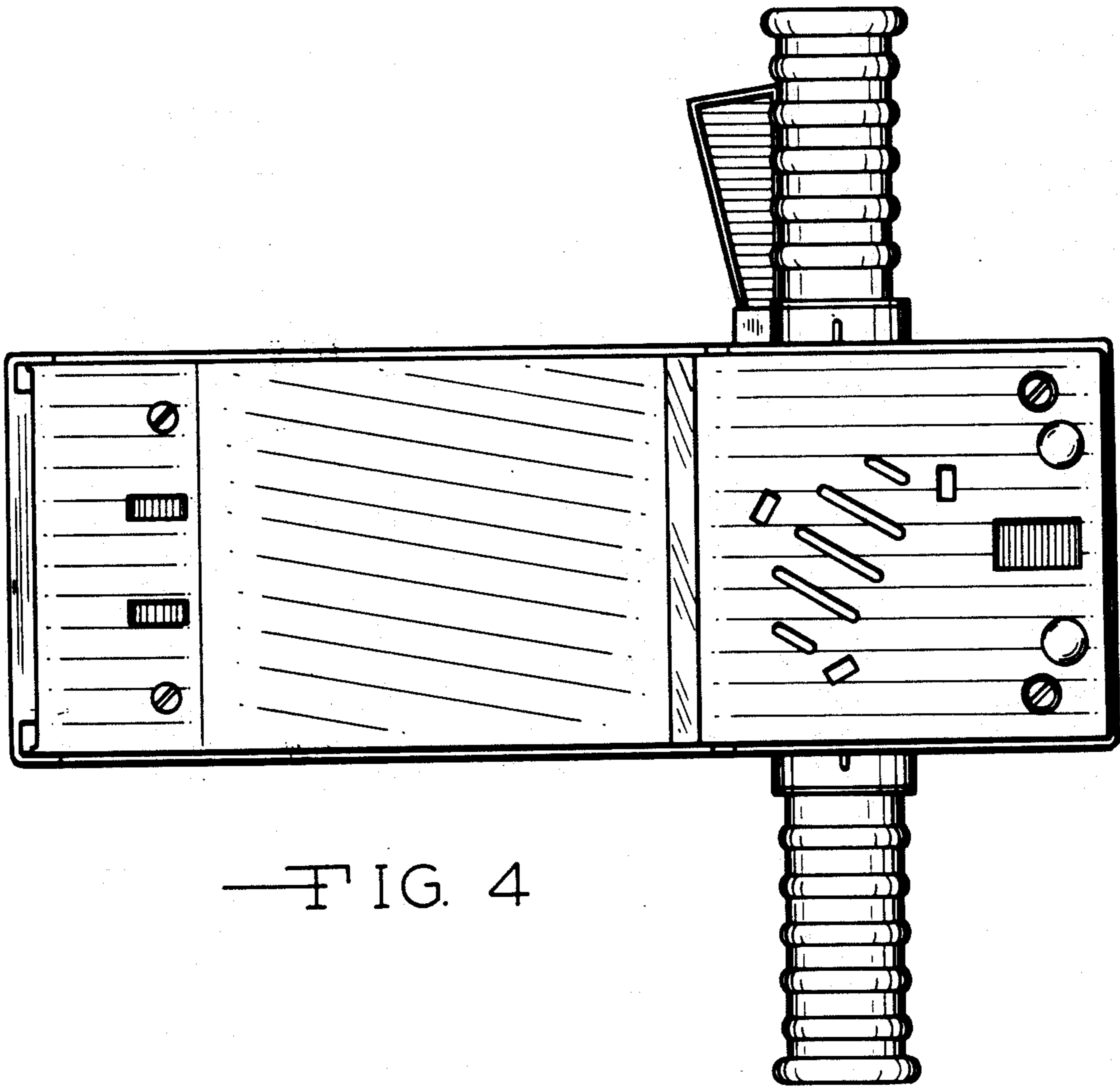
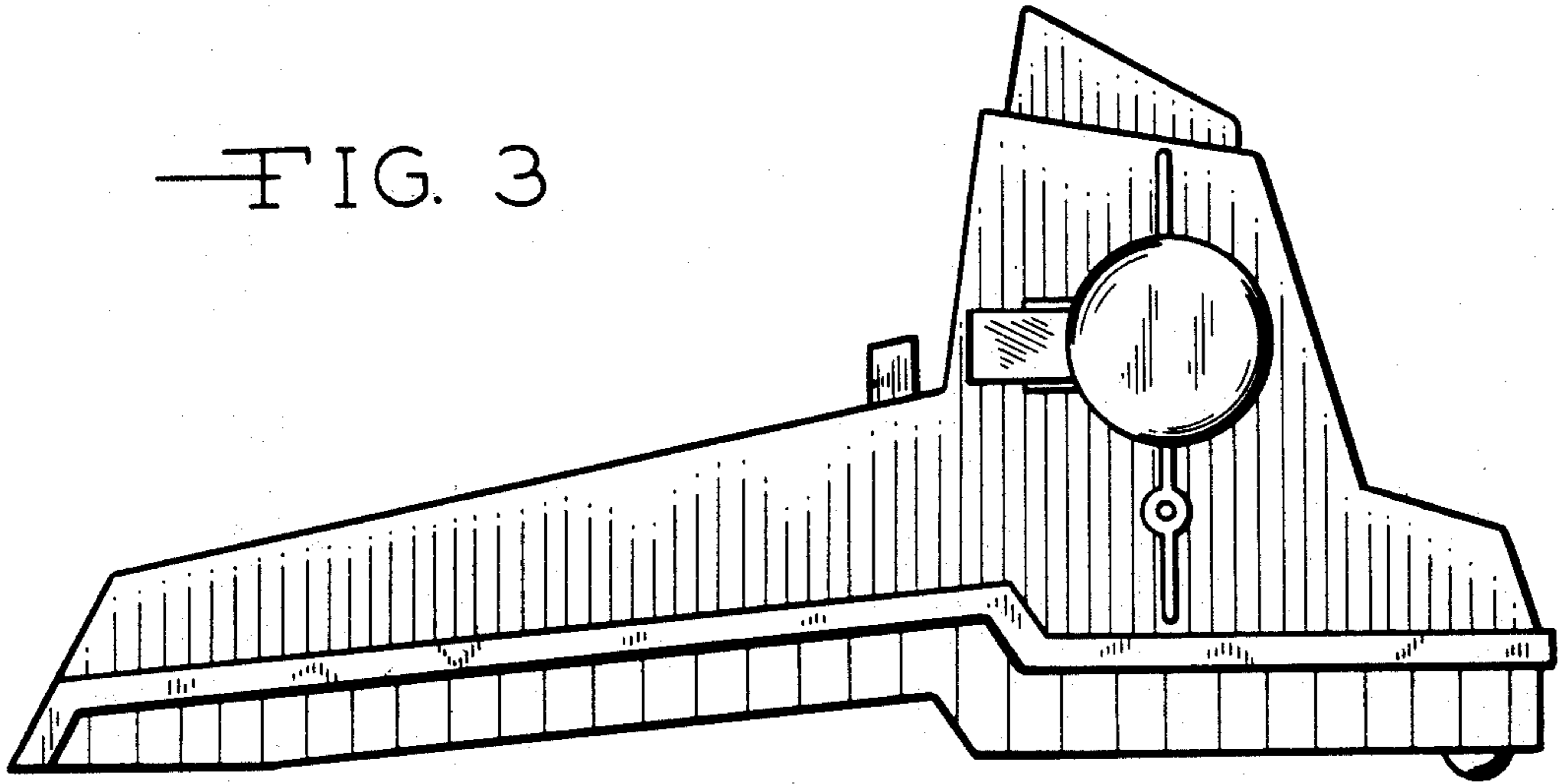
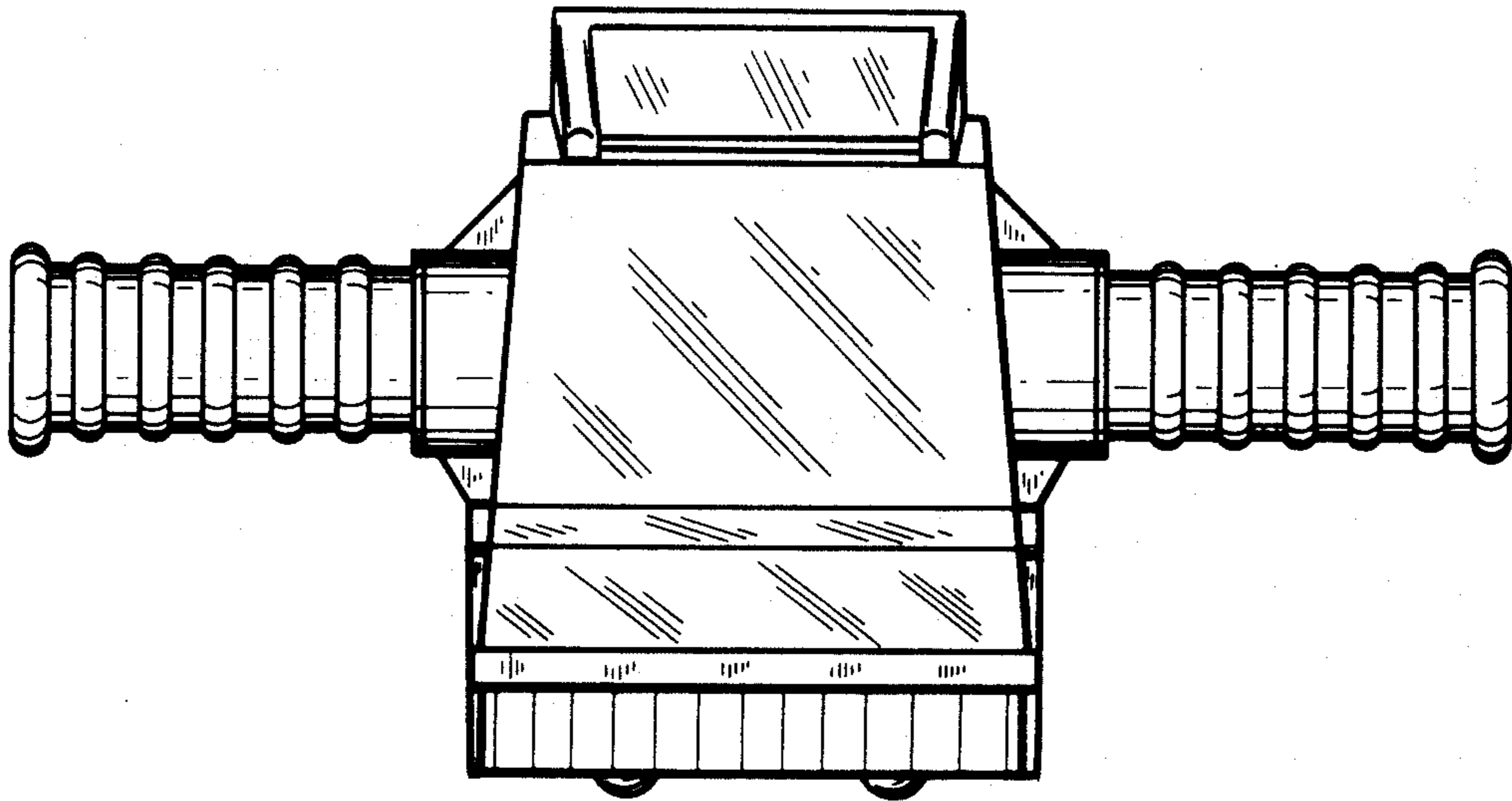
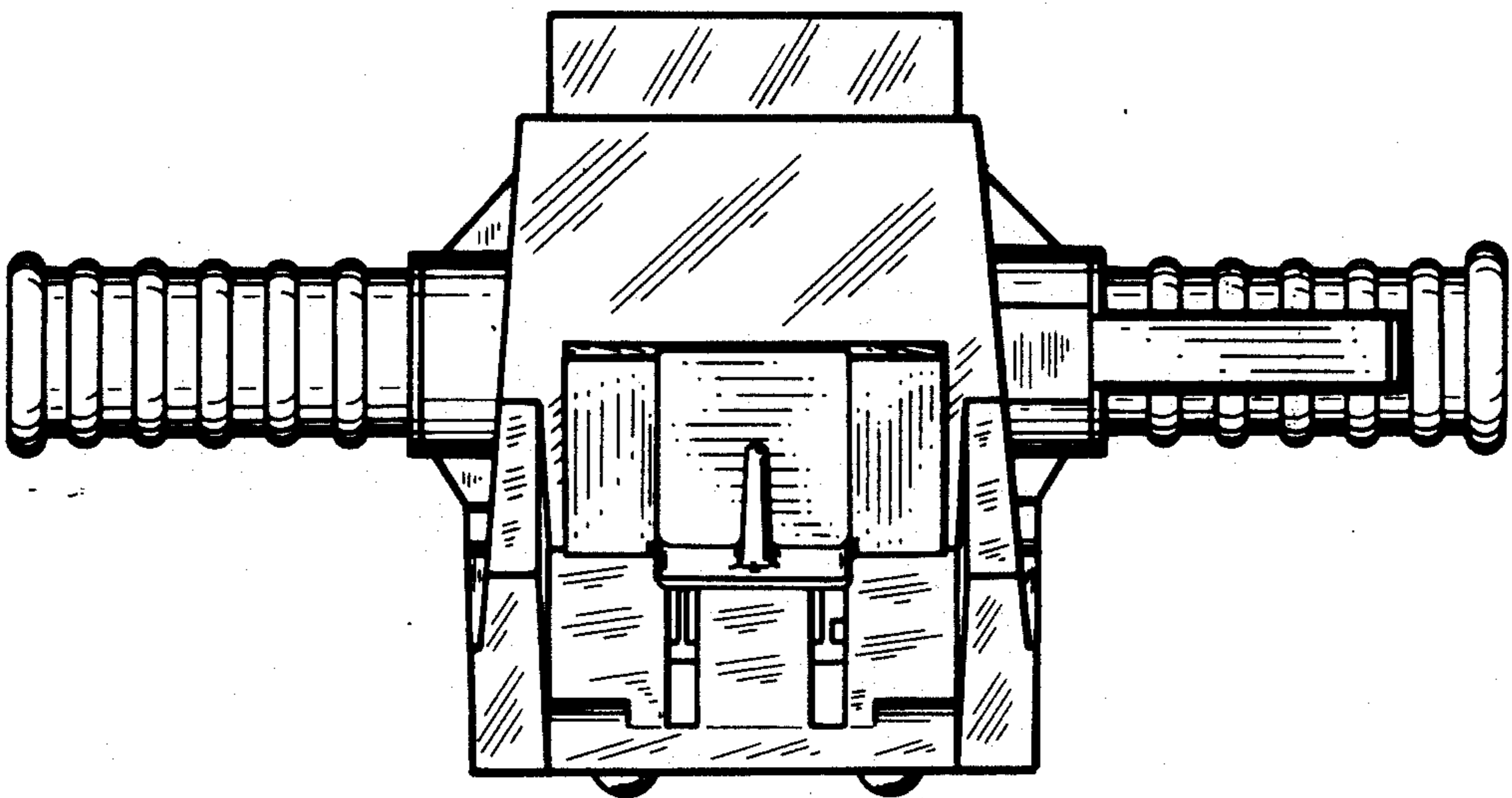


FIG. 4



—FIG. 5



—FIG. 6