

[54] COMBINED SLIDE AND TUNNEL TOY

[76] Inventor: John A. Gale, 185 W. Lake St.,
Excelsior, Minn. 55331

[**] Term: 14 Years

[21] Appl. No.: 802,244

[22] Filed: May 31, 1977

[51] Int. Cl. D21-04
[52] U.S. Cl. D21/244
[58] Field of Search D34/5 E, 5 K, 15 R;
272/56.5, 1 R

[56] References Cited
U.S. PATENT DOCUMENTS

D. 213,271	1/1969	Gale	D34/5 E
D. 217,172	4/1970	Schumm	D34/5 E
3,755,878	9/1973	Henning	D34/5 E

OTHER PUBLICATIONS

J. C. Penney Catalog, 1975, p. 379, item 6, "Step 'N' Slide".

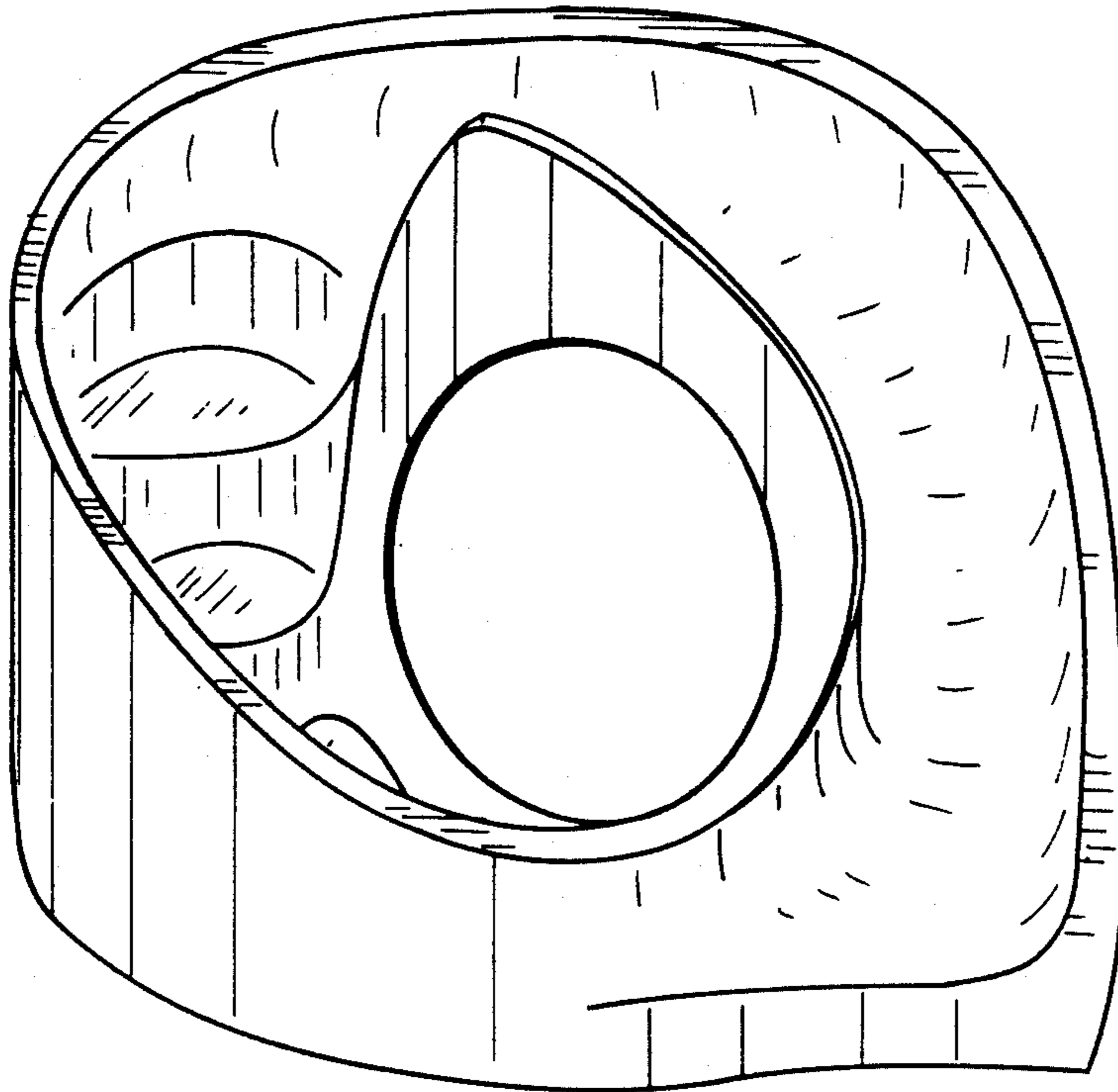
Primary Examiner—Joel Stearman
Assistant Examiner—Charles A. Rademaker
Attorney, Agent, or Firm—James R. Cwayna

[57] CLAIM

The ornamental design for a combined slide and tunnel toy, as shown.

DESCRIPTION

FIG. 1 is a perspective view of a combined slide and tunnel toy showing my new design;
FIG. 2 is a perspective view of the side opposite that shown in FIG. 1;
FIG. 3 is a front elevational view thereof, shown on a slightly reduced scale;
FIG. 4 is a left side elevational view thereof;
FIG. 5 is a right side elevational view thereof;
FIG. 6 is a rear elevational view thereof;
FIG. 7 is a top plan view thereof; and,
FIG. 8 is a bottom plan view thereof.



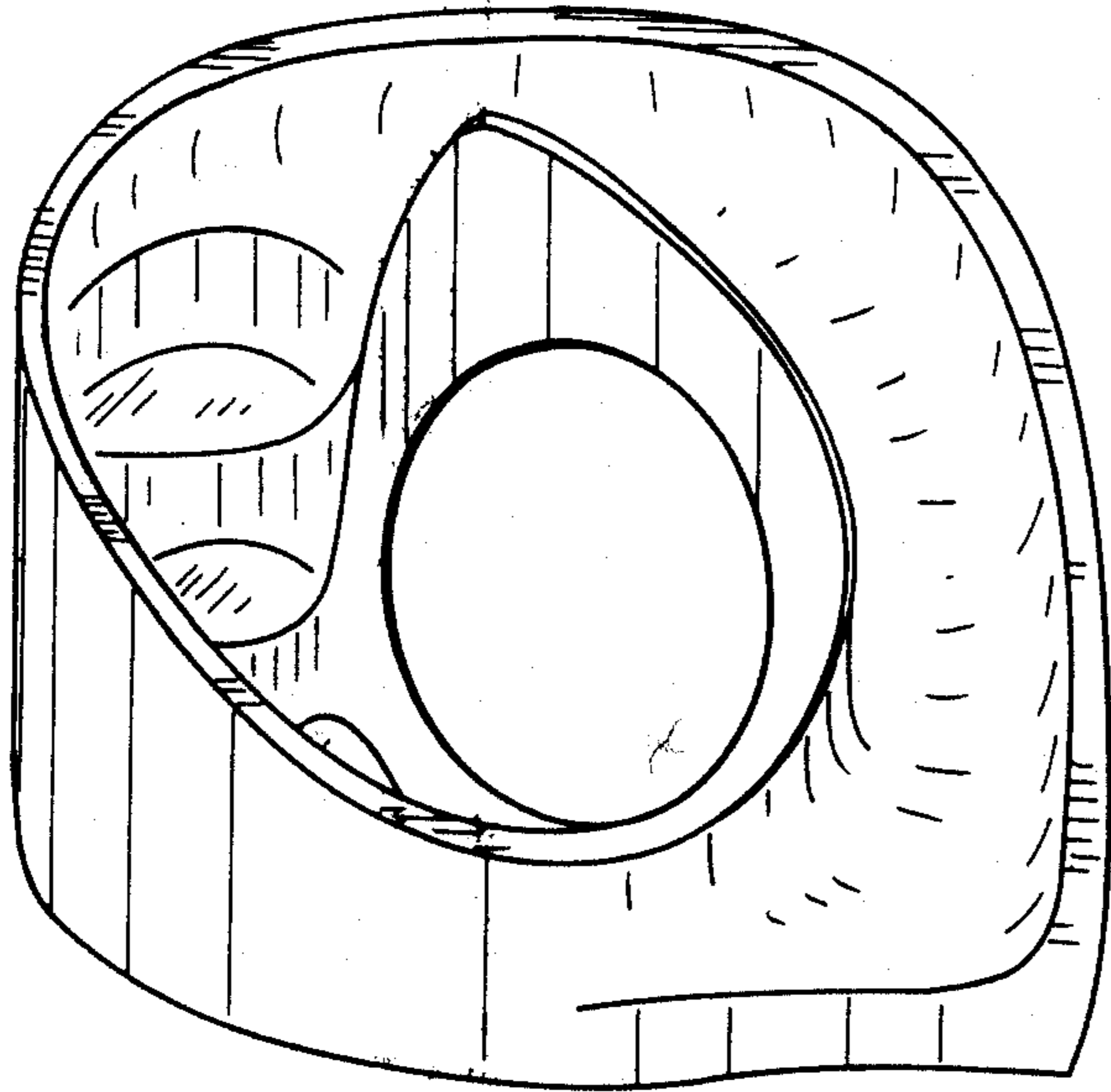


FIG. 1

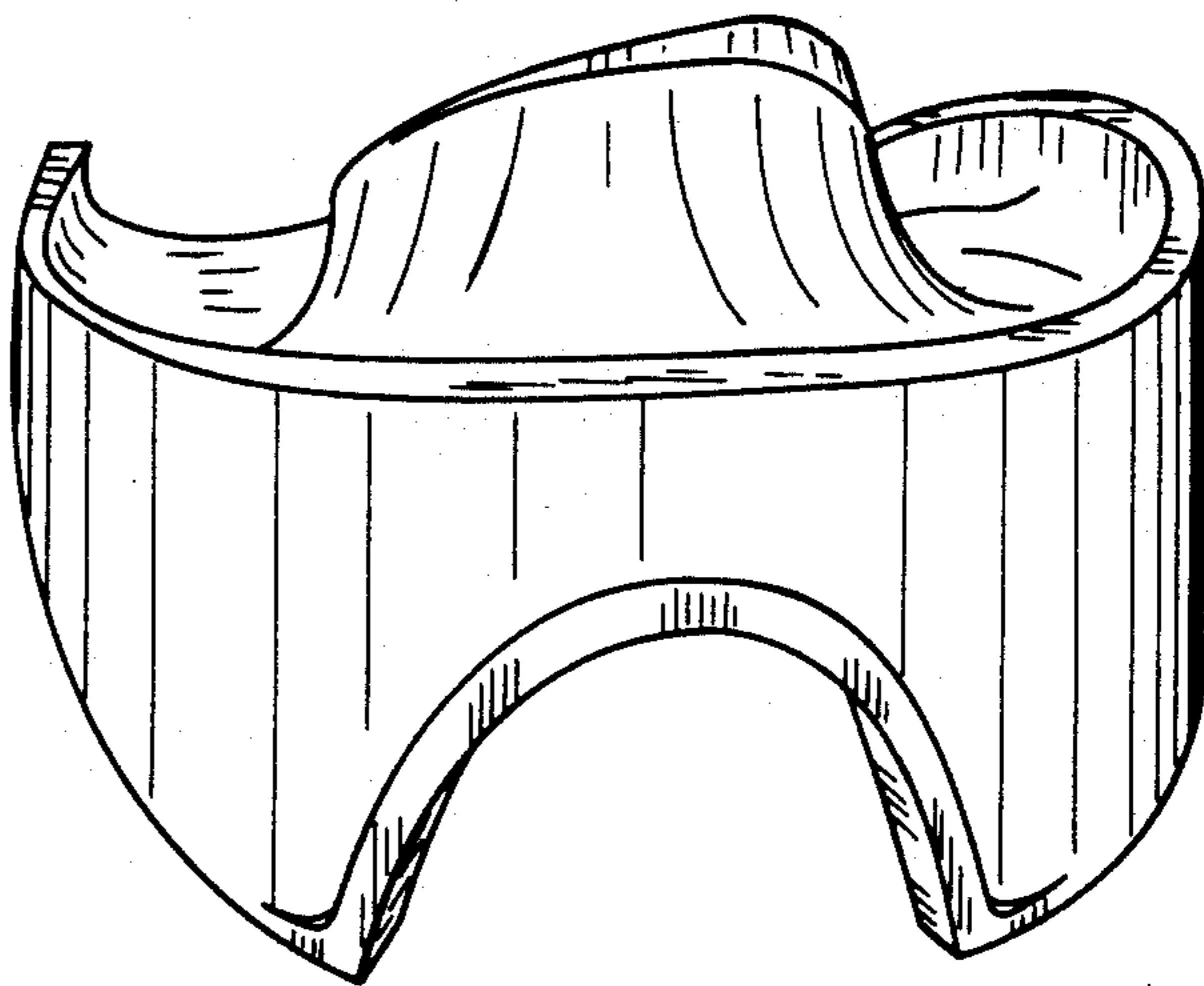


FIG. 2

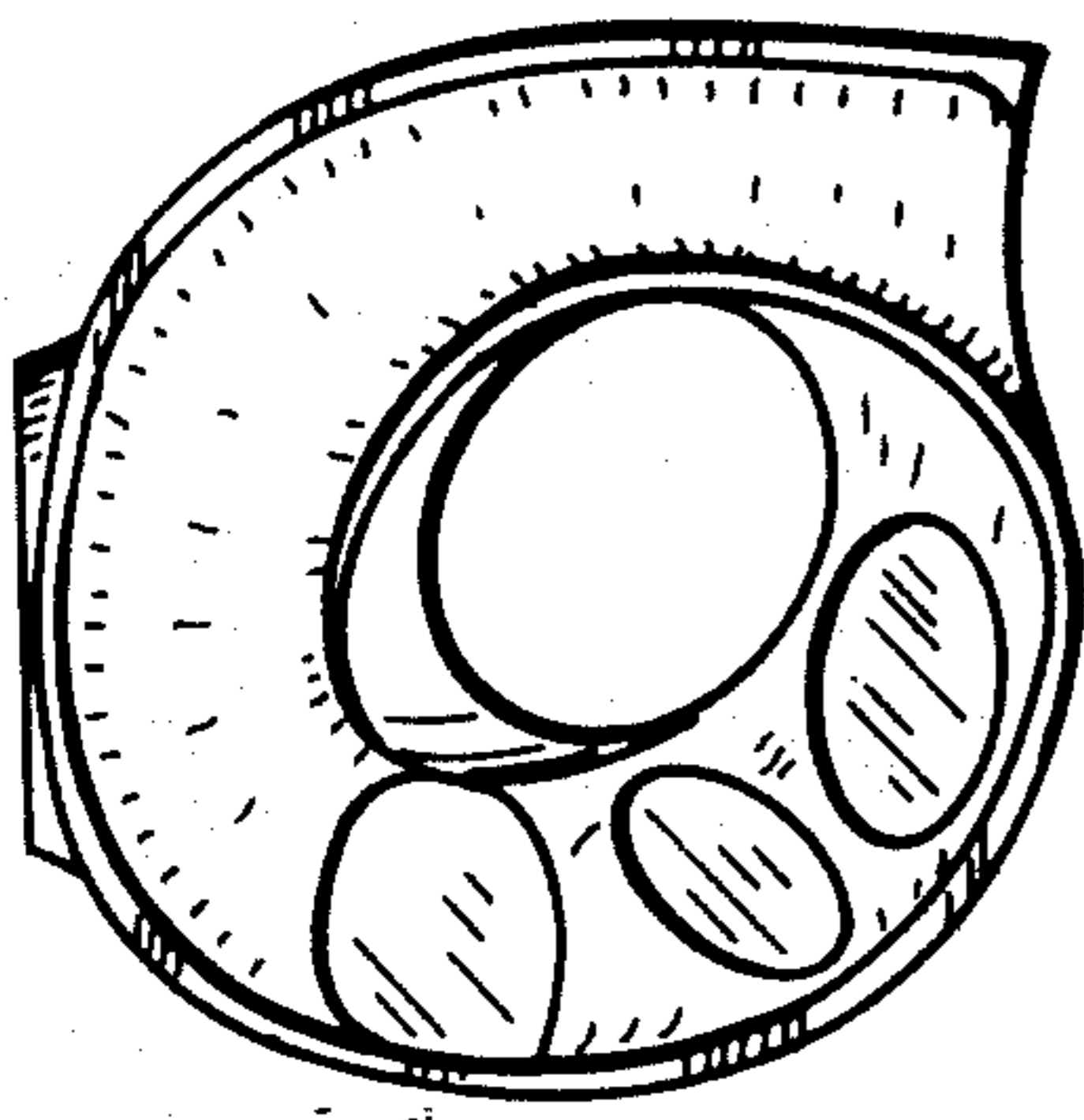


FIG. 7

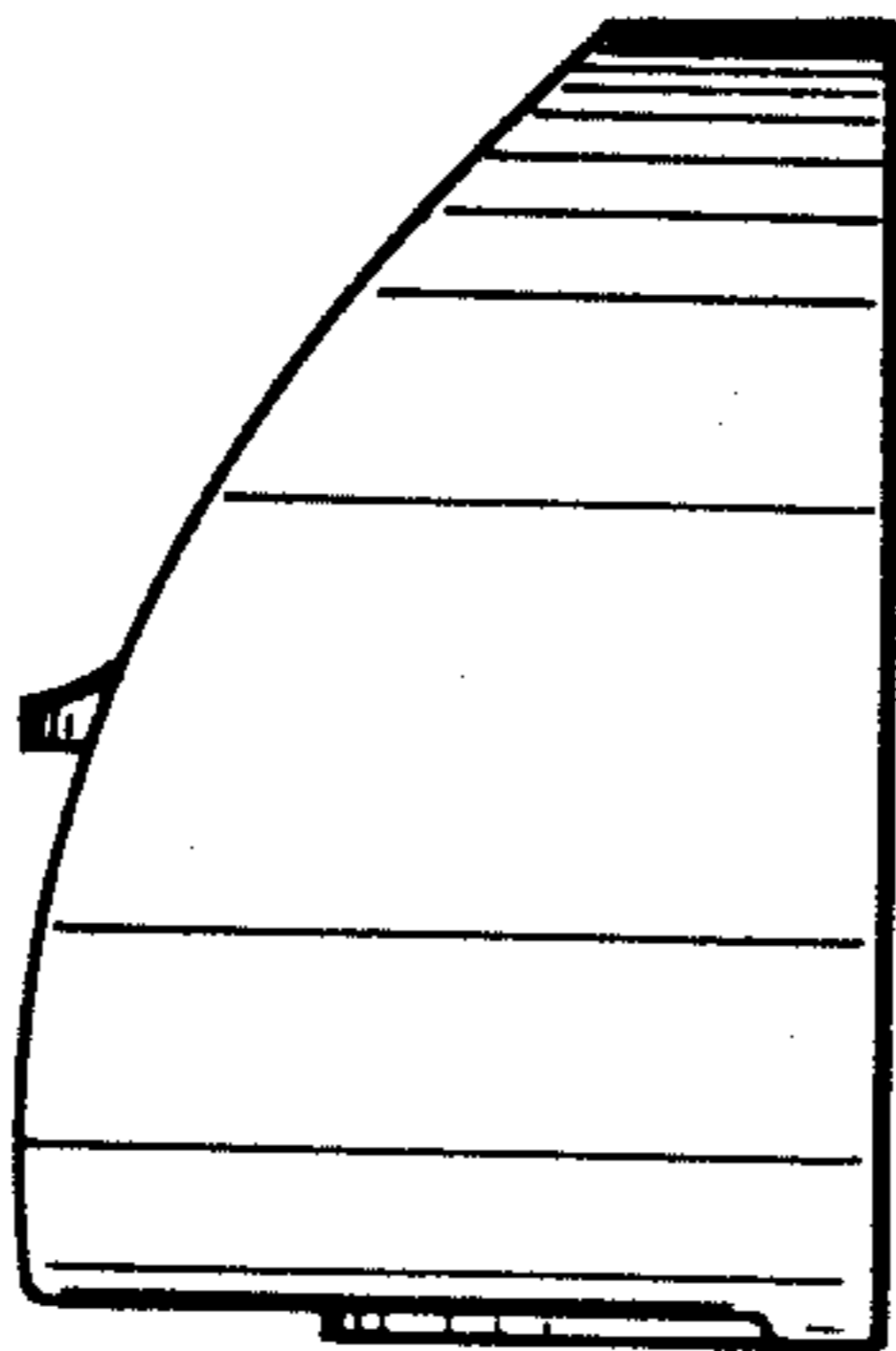


FIG. 4

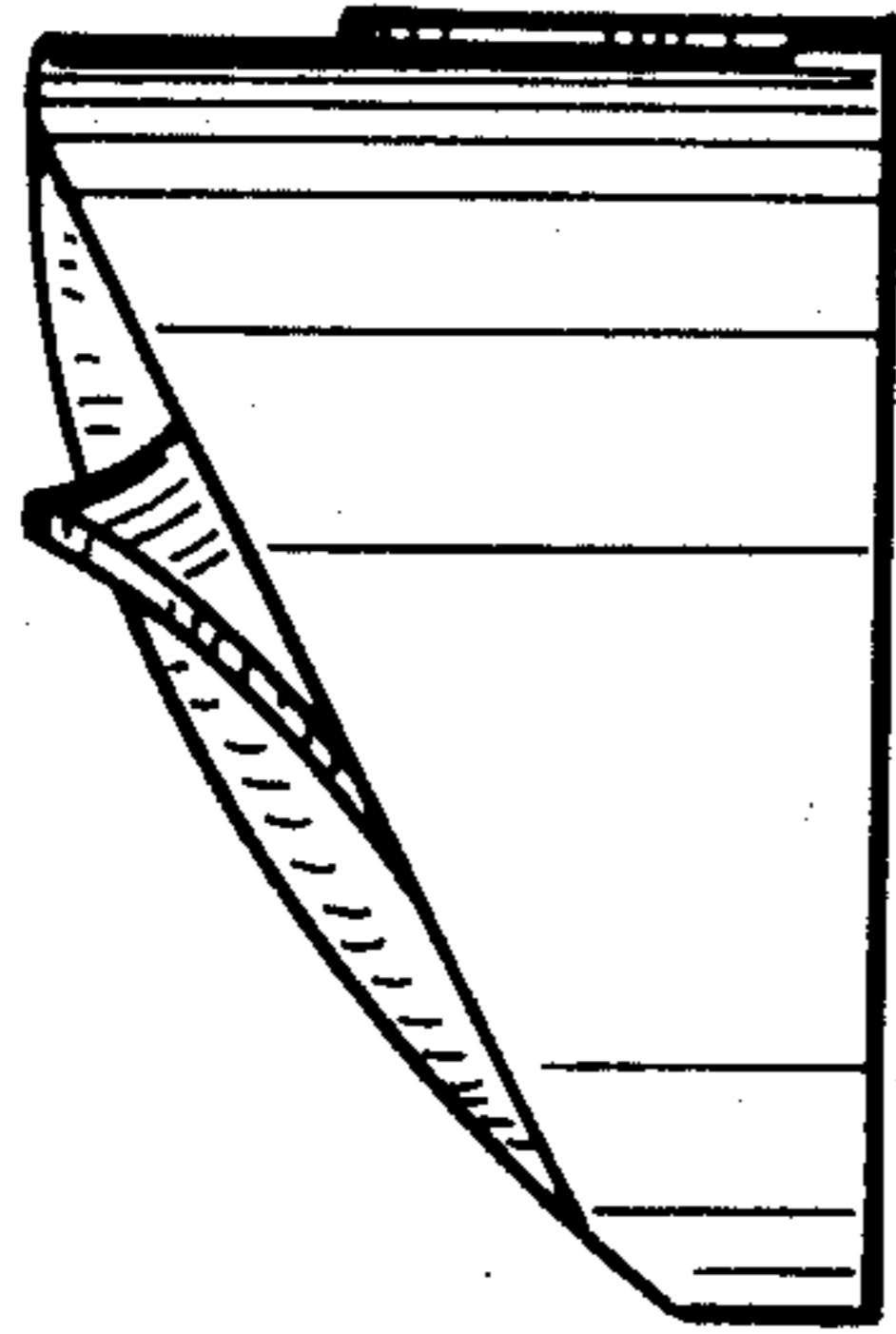


FIG. 5

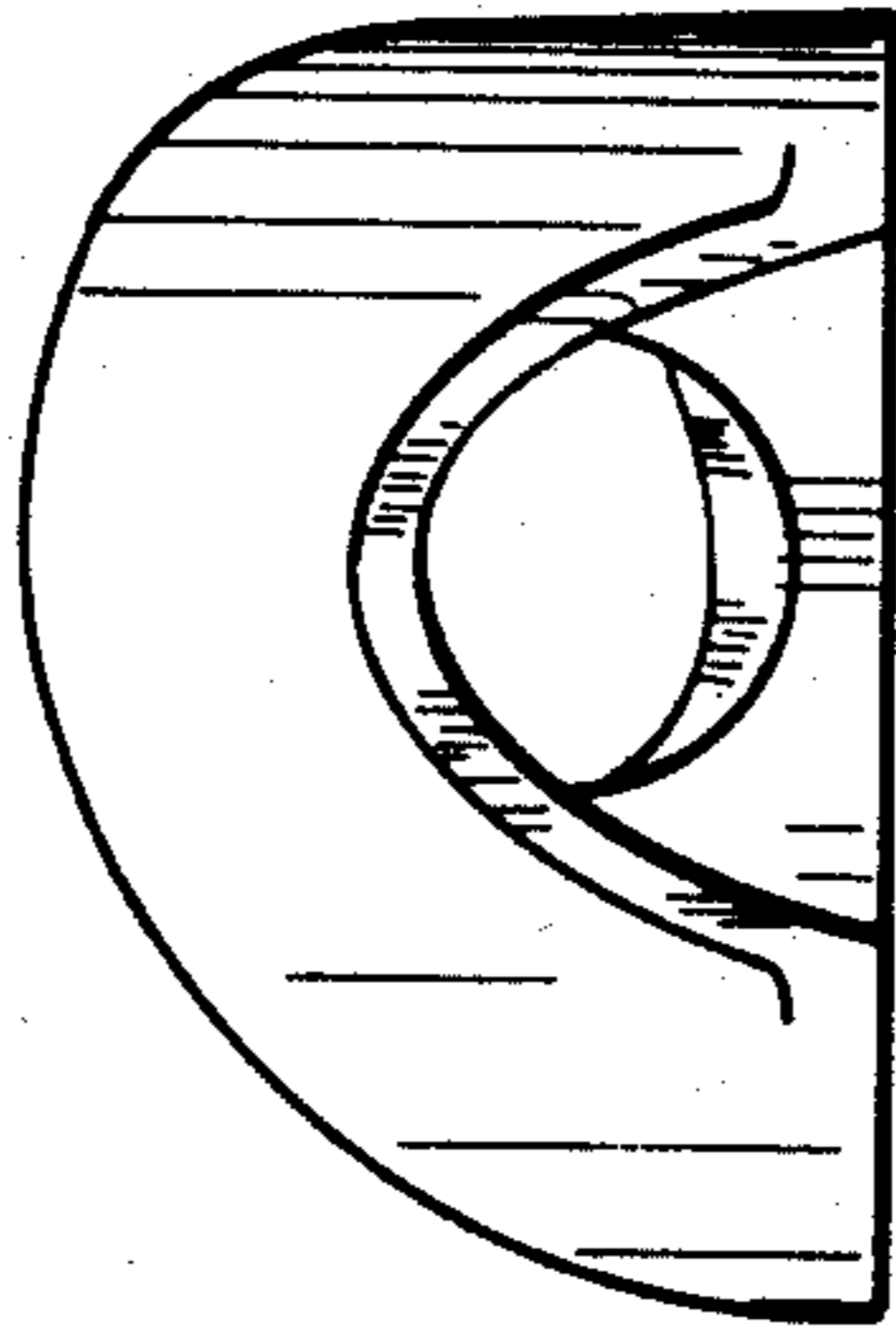


FIG. 6

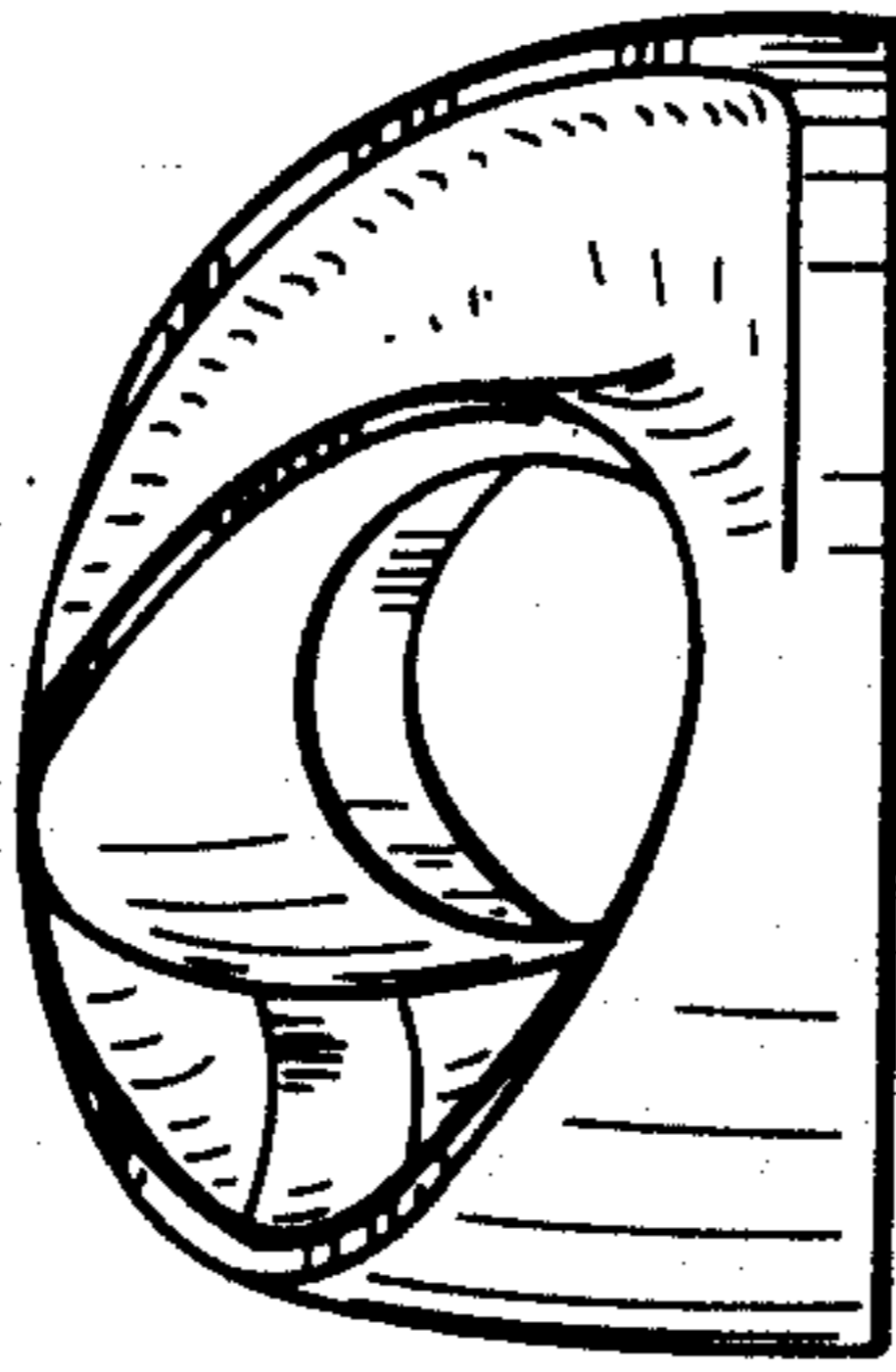


FIG. 3

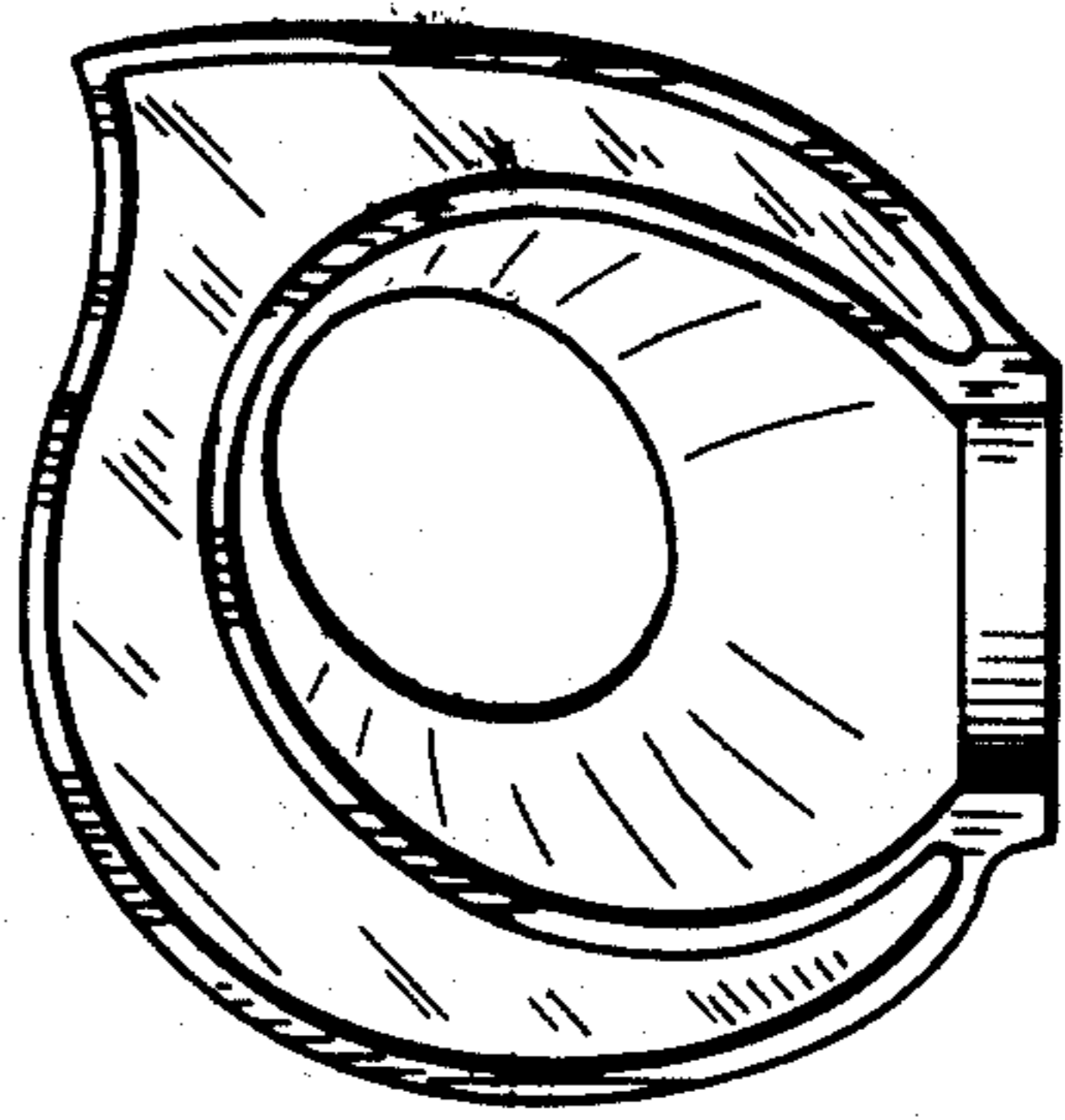


FIG. 8