

[54] AIR FILTER

[76] Inventor: Bill Nederman, Halalid 3, S-252 33 Helsingborg, Sweden

[**] Term: 14 Years

[21] Appl. No.: 722,212

[22] Filed: Sep. 10, 1976

[30] Foreign Application Priority Data

Mar. 12, 1976 [SE] Sweden 760564

[51] Int. Cl. D23-04

[52] U.S. Cl. D23/149; D15/54

[58] Field of Search D23/1-4, D23/149; 210/416 R; 55/467, 470-473; D15/52, 54

[56]

References Cited

U.S. PATENT DOCUMENTS

D. 151,464	10/1948	Olsen	D23/4 X
D. 174,841	5/1955	Trombley	D15/54
D. 178,322	7/1956	Kasper	D15/54
D. 187,065	1/1966	Chapman	D15/54
D. 235,547	6/1975	Schimanski	D23/149
2,810,451	10/1957	Crisp	D23/149 X
3,290,865	12/1966	Serou et al.	55/472 X
3,481,116	12/1969	Ferri	55/471 X

Primary Examiner—James R. Largen

Attorney, Agent, or Firm—John J. Dennemeyer

[57]

CLAIM

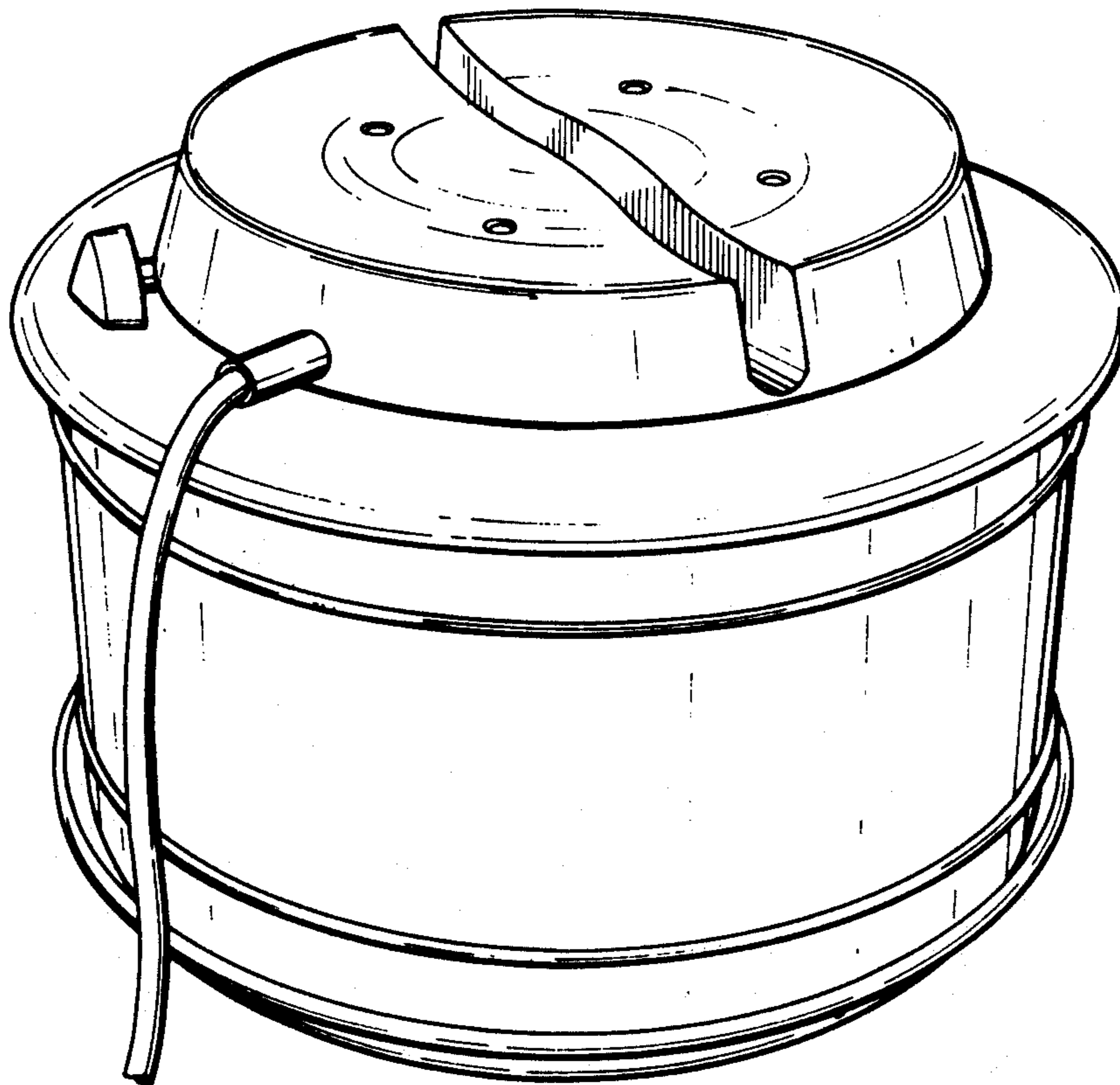
The ornamental design of an air filter, as shown and described.

DESCRIPTION

FIG. 1 is a top perspective view of an air filter showing my new design;

FIG. 2 is a bottom perspective view thereof; and

FIG. 3 is a side elevational view thereof.



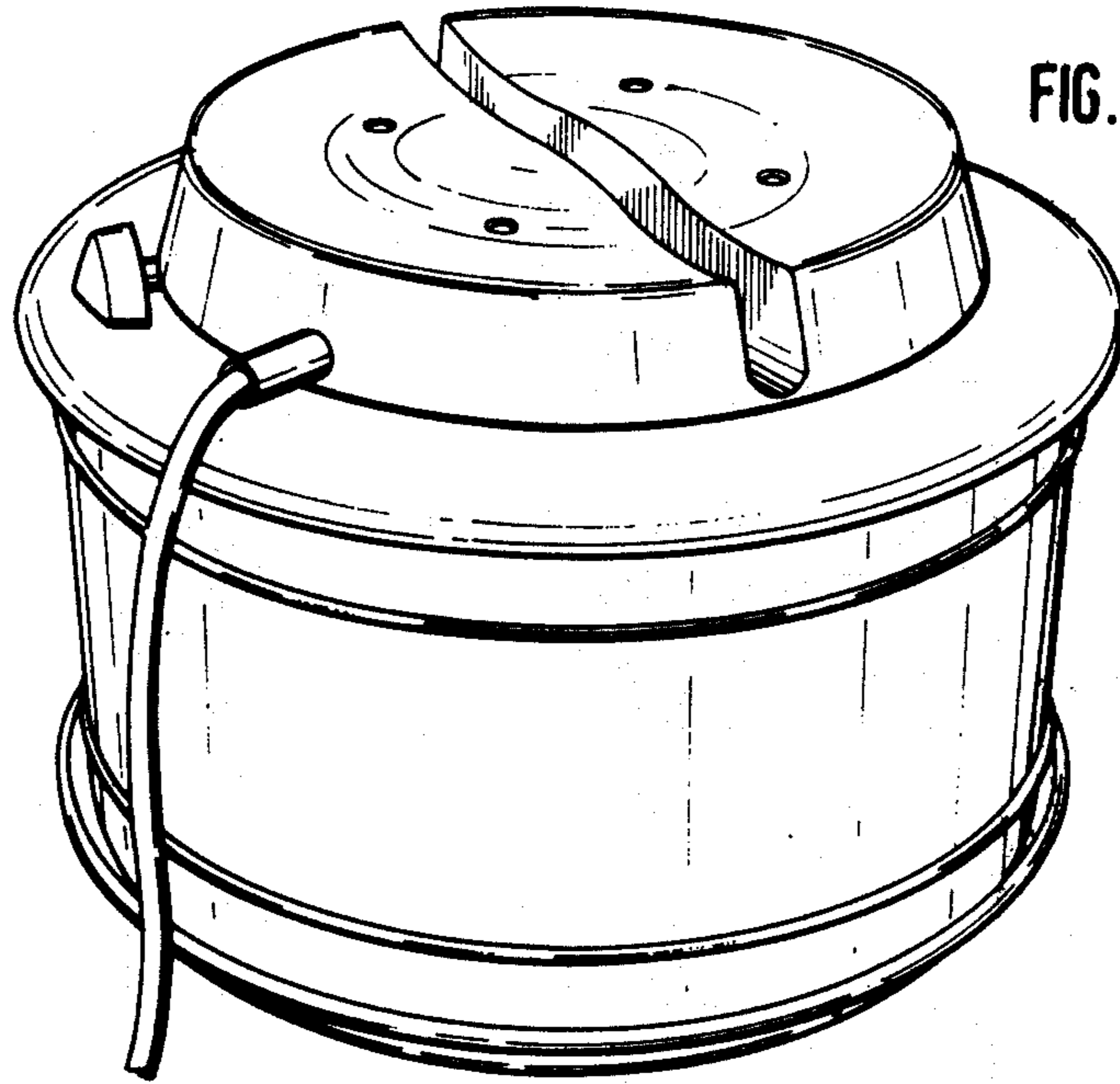


FIG. 1

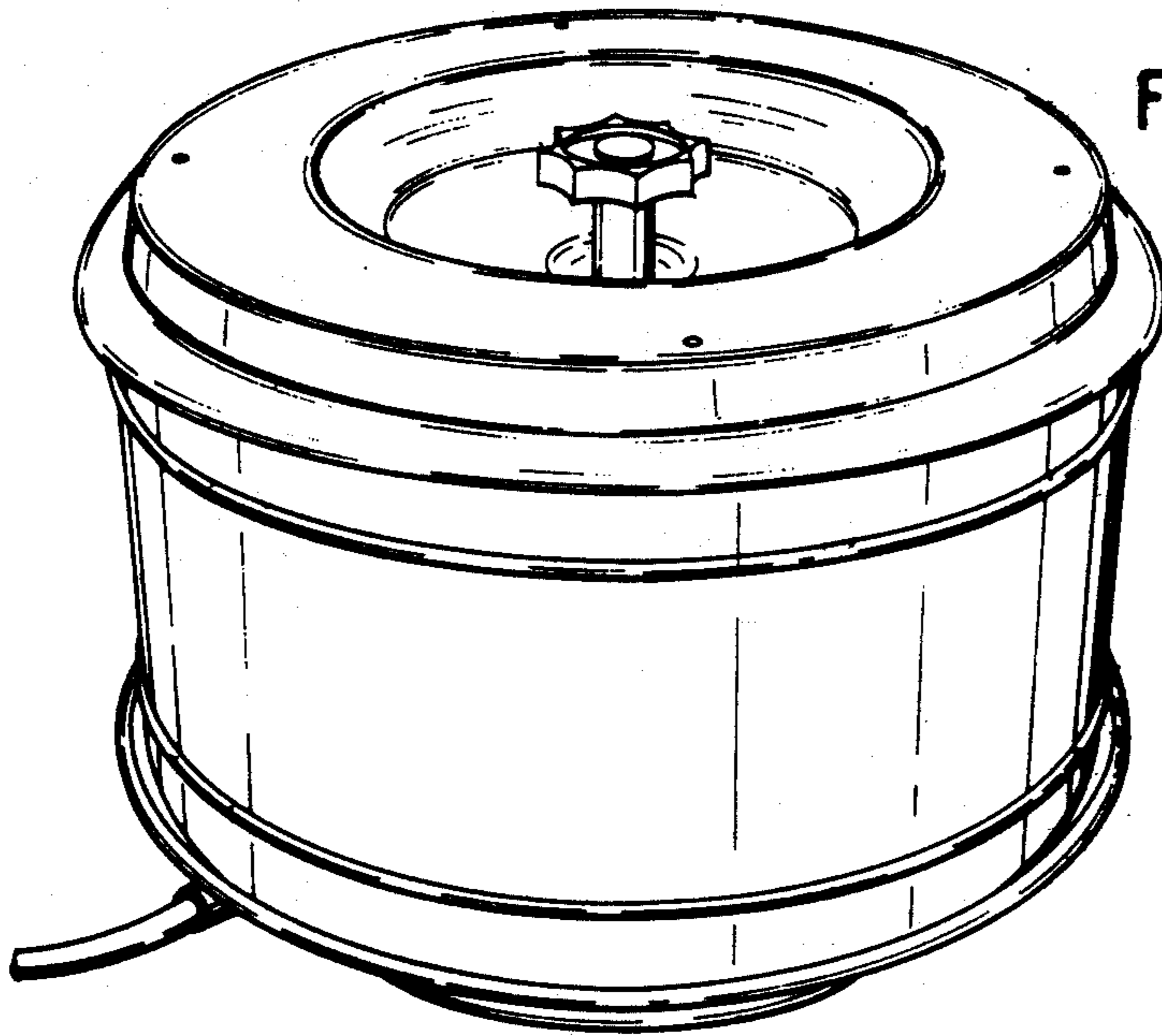


FIG. 2

FIG. 3

