

[54] PHONOGRAPH STYLUS

[75] Inventors: James Wellwood, Elmhurst; Robert L. Deschamps, Wheaton, both of Ill.

[73] Assignee: Shure Brothers Incorporated, Ill.

[\*\*] Term: 14 Years

[21] Appl. No.: 839,786

[22] Filed: Oct. 5, 1977

[51] Int. Cl. .... D14-01

[52] U.S. Cl. .... D14/29; 274/38

[58] Field of Search .... D14/28, 29; 274/37, 274/38; 179/100.4 R, 100.41 S

[56] References Cited

U.S. PATENT DOCUMENTS

D. 193,934	10/1962	Deschamps	.....	D14/29
D. 194,264	12/1962	Pritchard	.....	D14/29
D. 206,069	10/1966	Shaper	.....	D14/29
D. 222,479	10/1971	Litcher	.....	D14/29

D. 245,022	7/1977	Thomsen	.....	D14/28
3,964,751	3/1977	Vitale	.....	274/37
4,009,885	3/1977	Pritchard	.....	274/37

Primary Examiner—Bernard Ansher  
Attorney, Agent, or Firm—George B. Newitt

[57] CLAIM

The ornamental design for a phonograph stylus, as shown and described.

DESCRIPTION

FIG. 1 is a perspective view of a phonograph stylus as shown in an inoperative position;  
 FIG. 2 is a perspective view of a phonograph stylus as shown in an operative position;  
 FIG. 3 is one side view thereof, the other side being substantially identical;  
 FIG. 4 is a front view thereof;  
 FIG. 5 is a top plan view thereof;  
 FIG. 6 is a rear view thereof; and  
 FIG. 7 is a bottom plan view thereof.

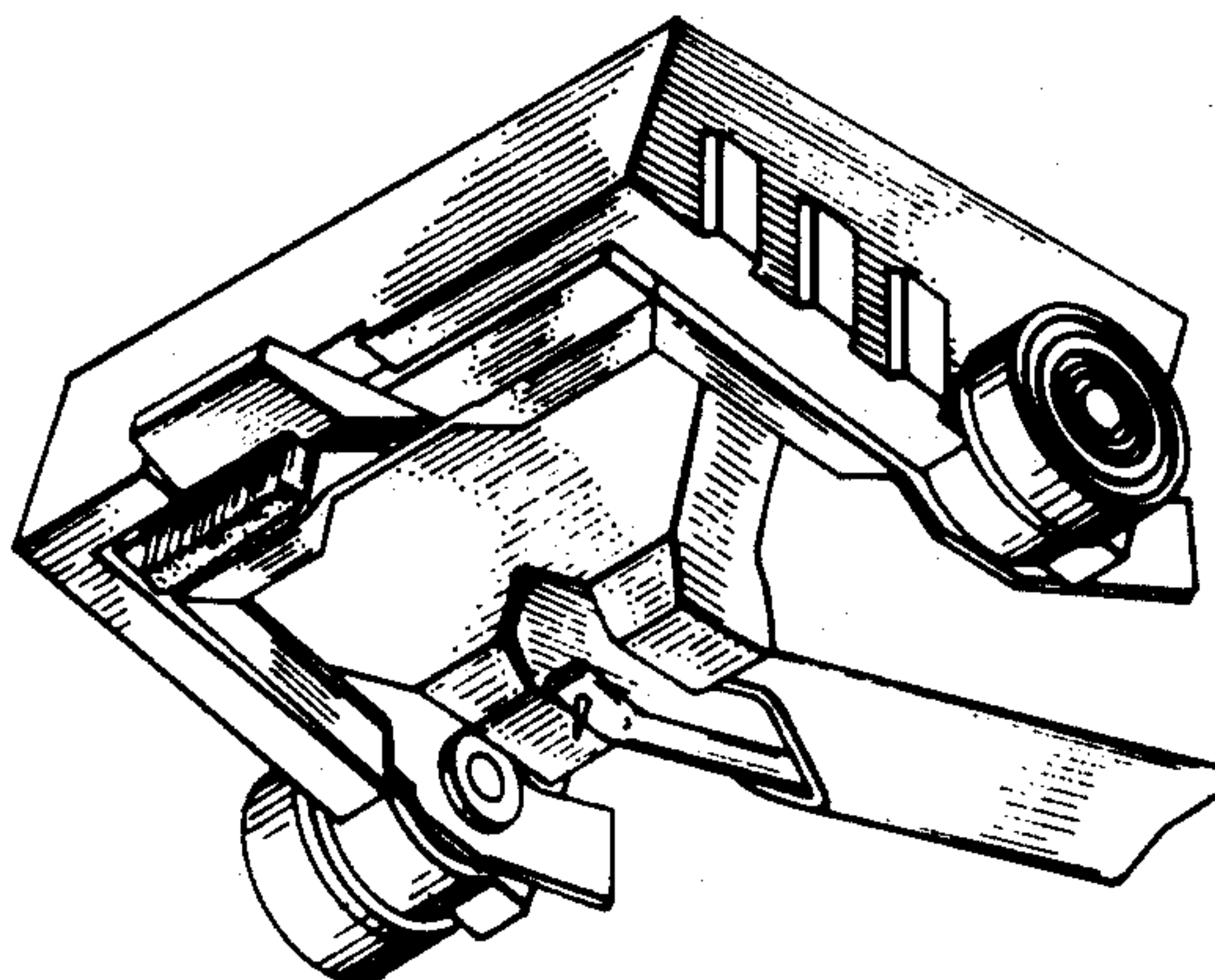
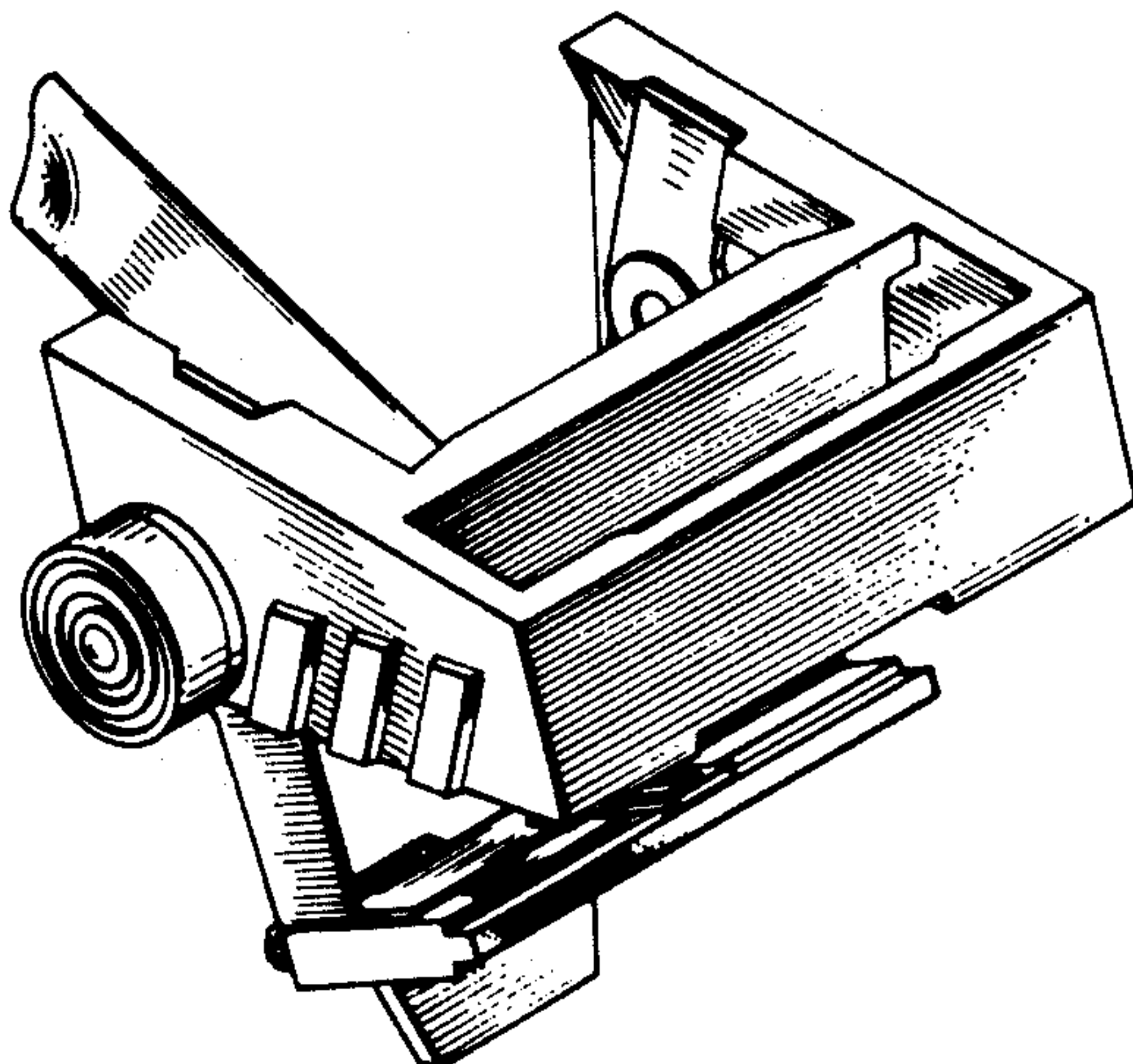


Fig. 1

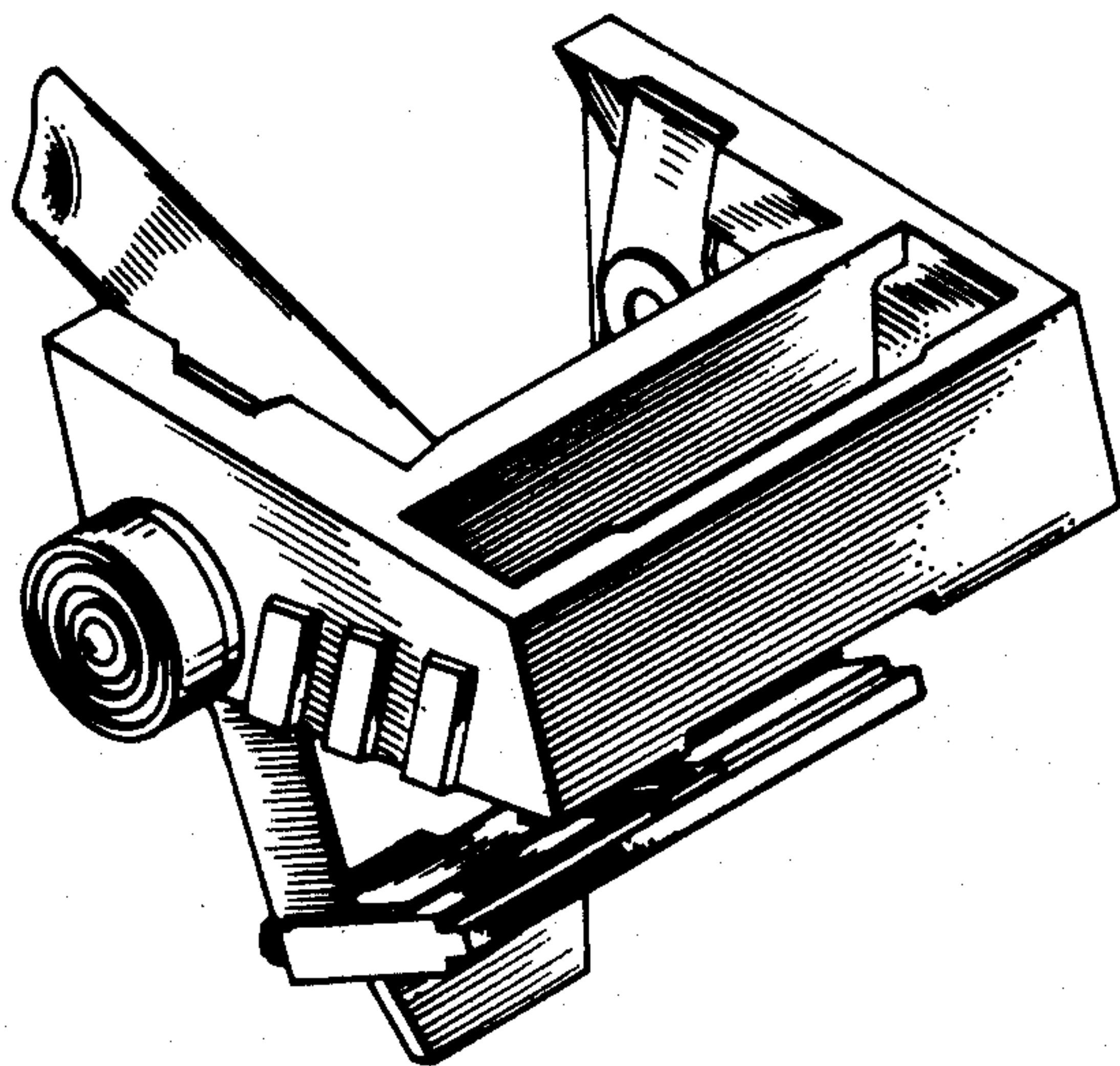


Fig. 2

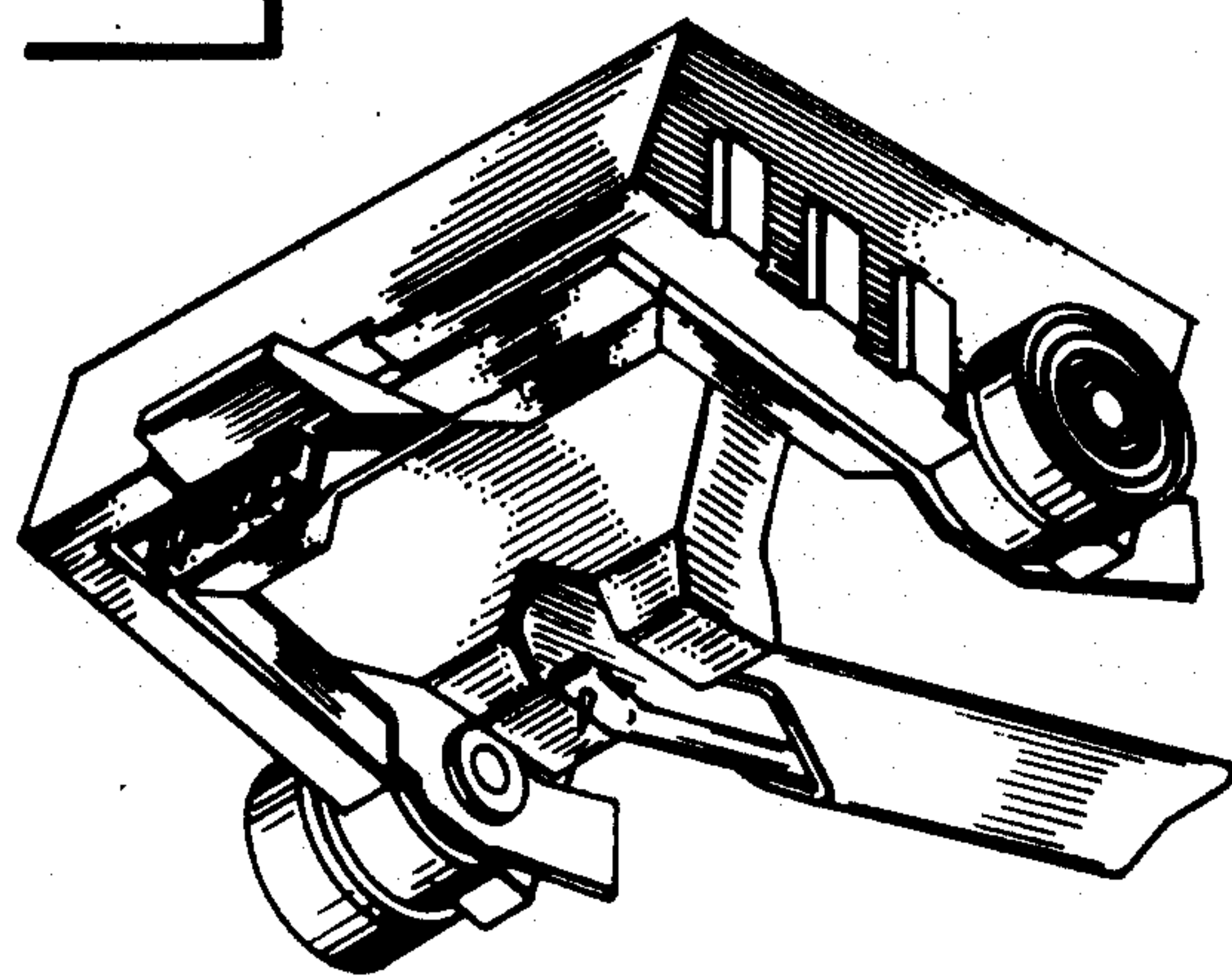


Fig. 3

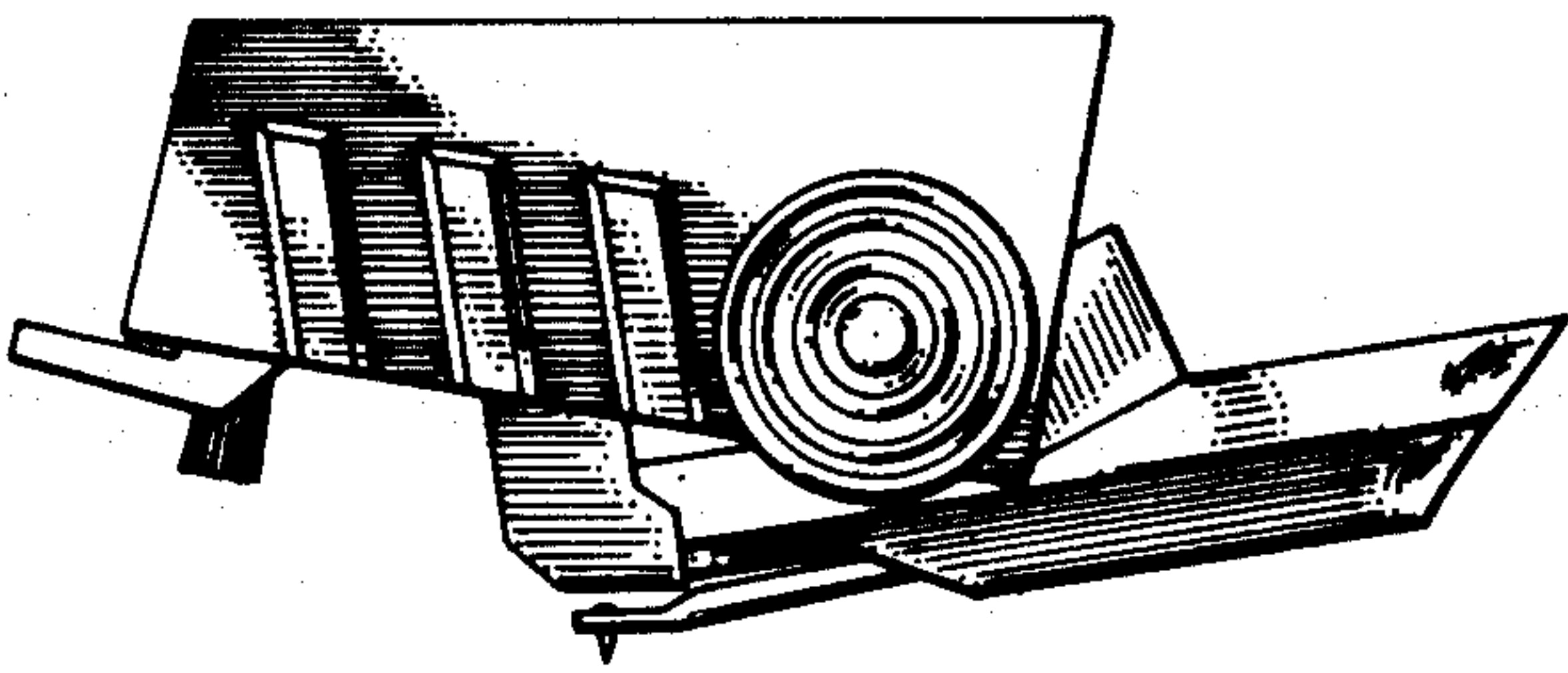


Fig. 4

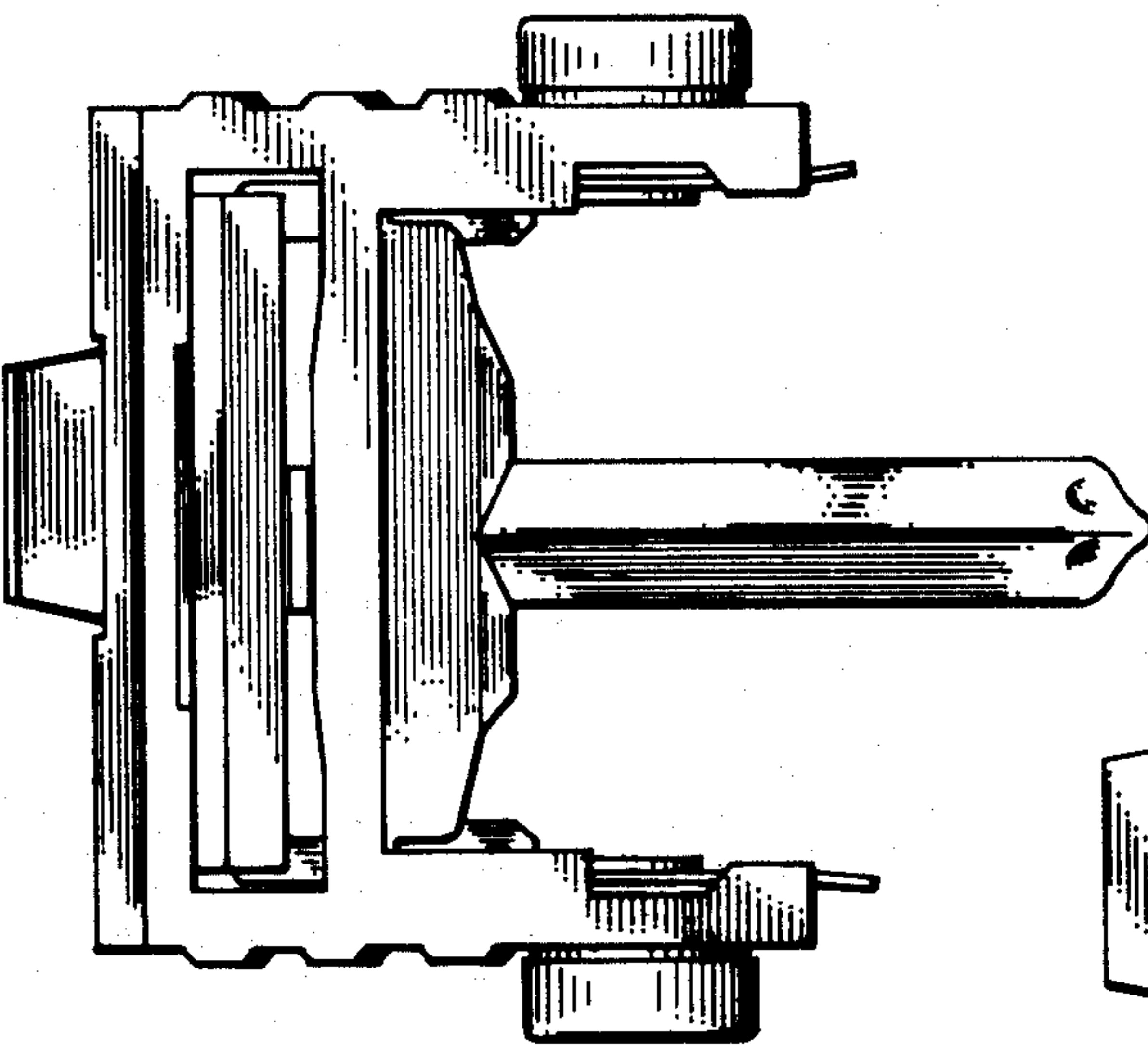
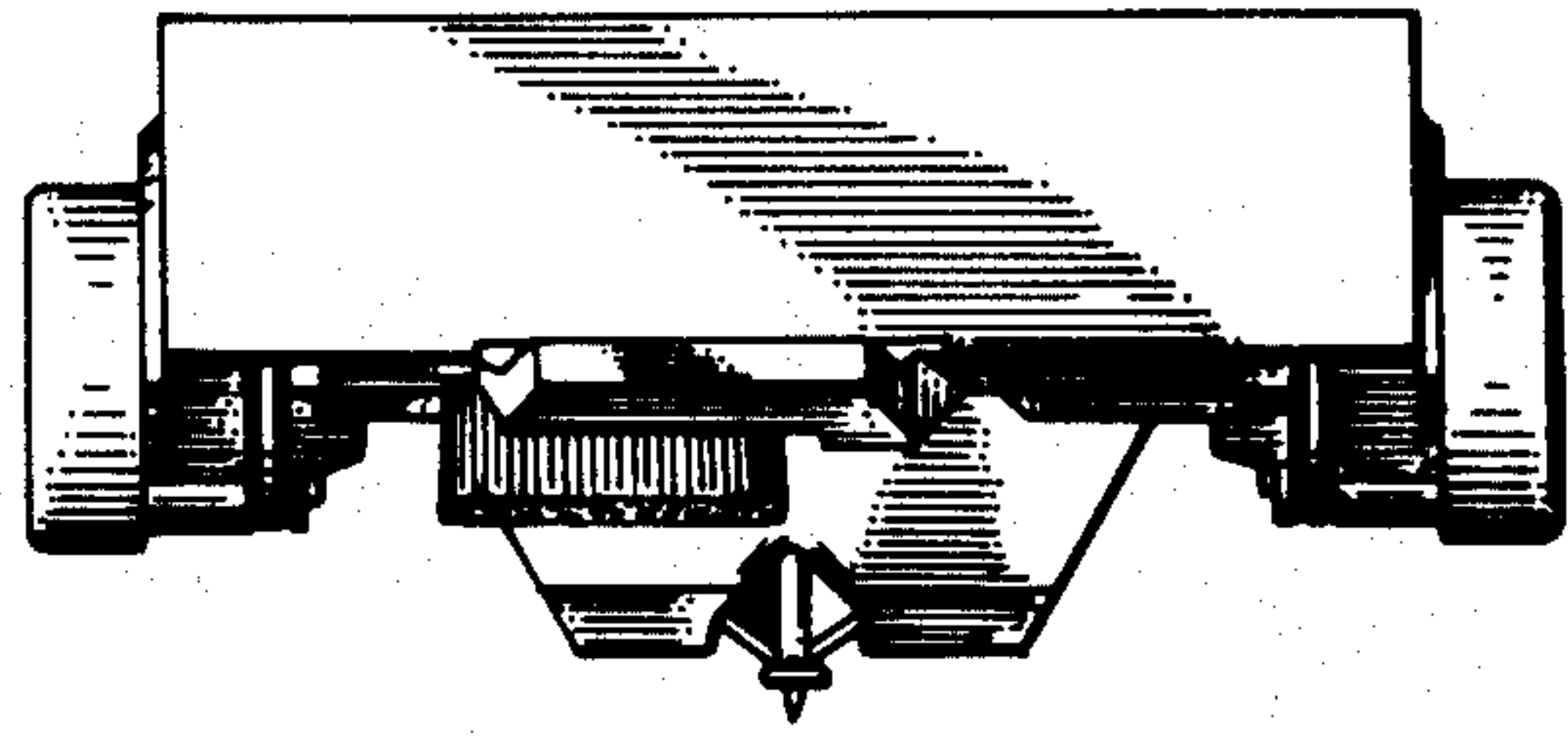


Fig. 5

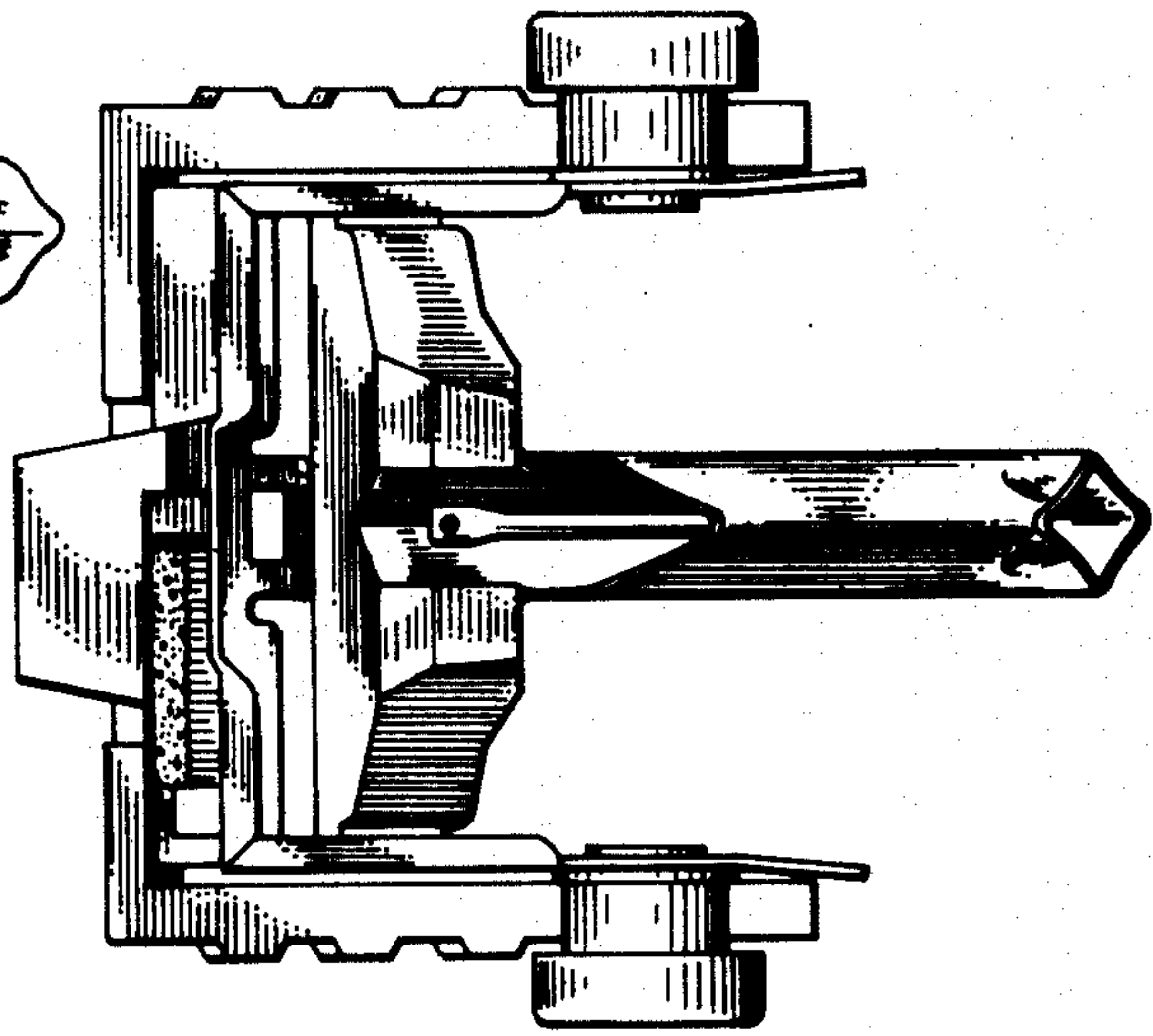


Fig. 6

Fig. 7

