

[54] **COMBINED PROTRACTOR, TRIANGLE, COMPASS AND BEAM COMPASS**

[76] Inventor: **Gilbert T. Lopez, Boulder, Colo.**

[\*\*] Term: **14 Years**

[21] Appl. No.: **779,943**

[22] Filed: **Mar. 21, 1977**

[51] Int. Cl. .... **D10-04**

[52] U.S. Cl. .... **D10/62; D10/65**

[58] Field of Search ..... **D10/61-65; 33/75, 116, 115**

[56] **References Cited**

**U.S. PATENT DOCUMENTS**

D. 194,242	12/1962	Robbins	.....	D10/62
843,459	2/1907	Humes	.....	33/115
932,281	8/1909	Humes	.....	33/116

1,121,303	12/1914	Smith	.....	33/116
2,178,796	11/1939	Kormann	.....	33/115
2,292,094	8/1942	Thomas	.....	33/75 R
2,495,558	1/1950	Walton	.....	33/75 R
3,321,835	5/1967	Curtis	.....	33/75 R

*Primary Examiner*—Nelson C. Holtje  
*Attorney, Agent, or Firm*—Max L. Wymore

[57] **CLAIM**

The ornamental design for a combined protractor, triangle, compass and beam compass, as shown.

**DESCRIPTION**

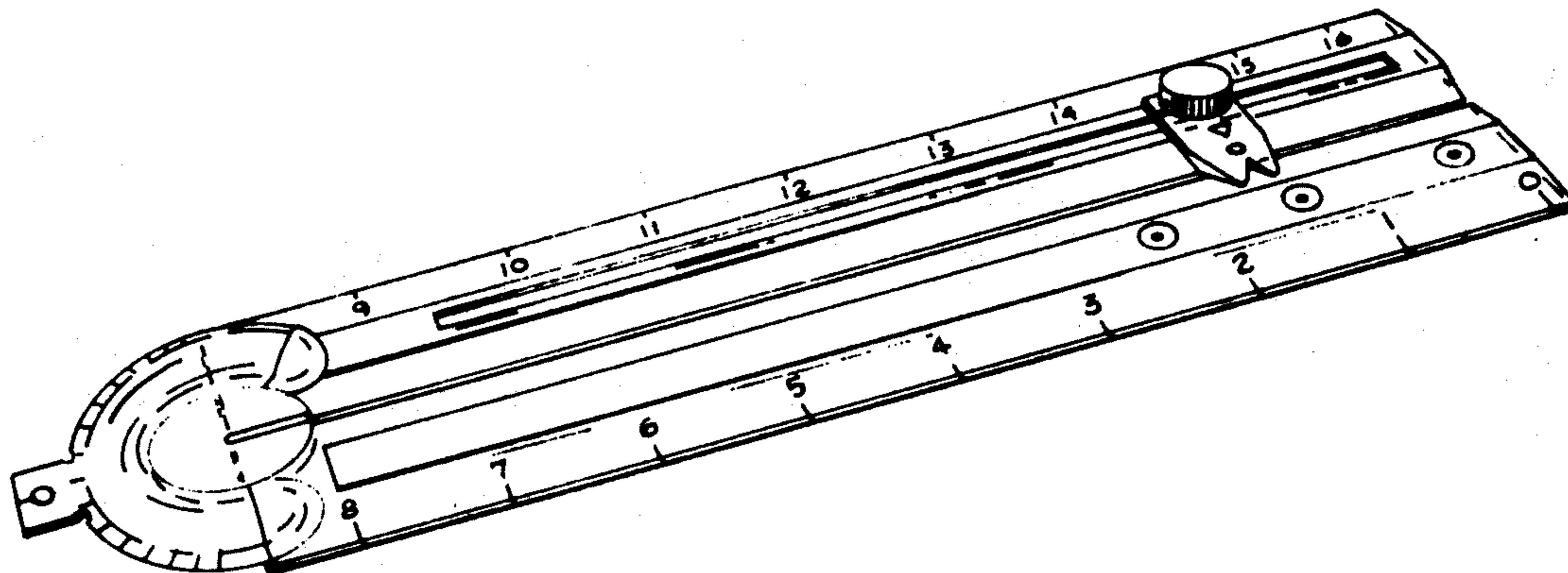
FIG. 1 is a top plan view of the combined protractor, triangle, compass and beam compass showing my new design;

FIG. 2 is a perspective view thereof;

FIG. 3 is a bottom plan view thereof;

FIG. 4 is an end elevation view thereof; and,

FIG. 5 is the other end elevation thereof.



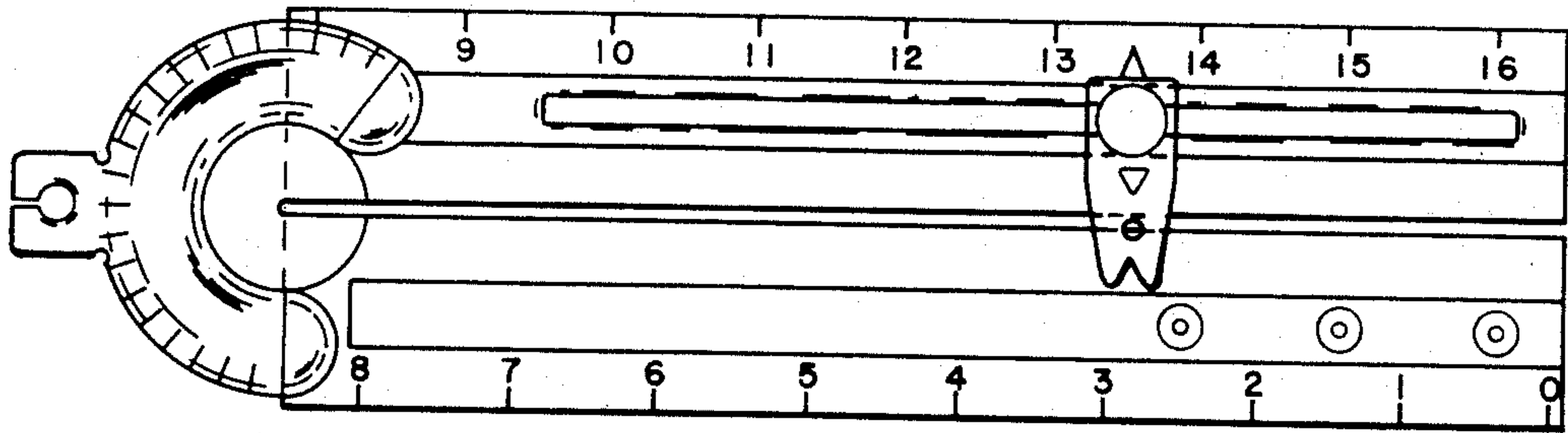


FIG 1

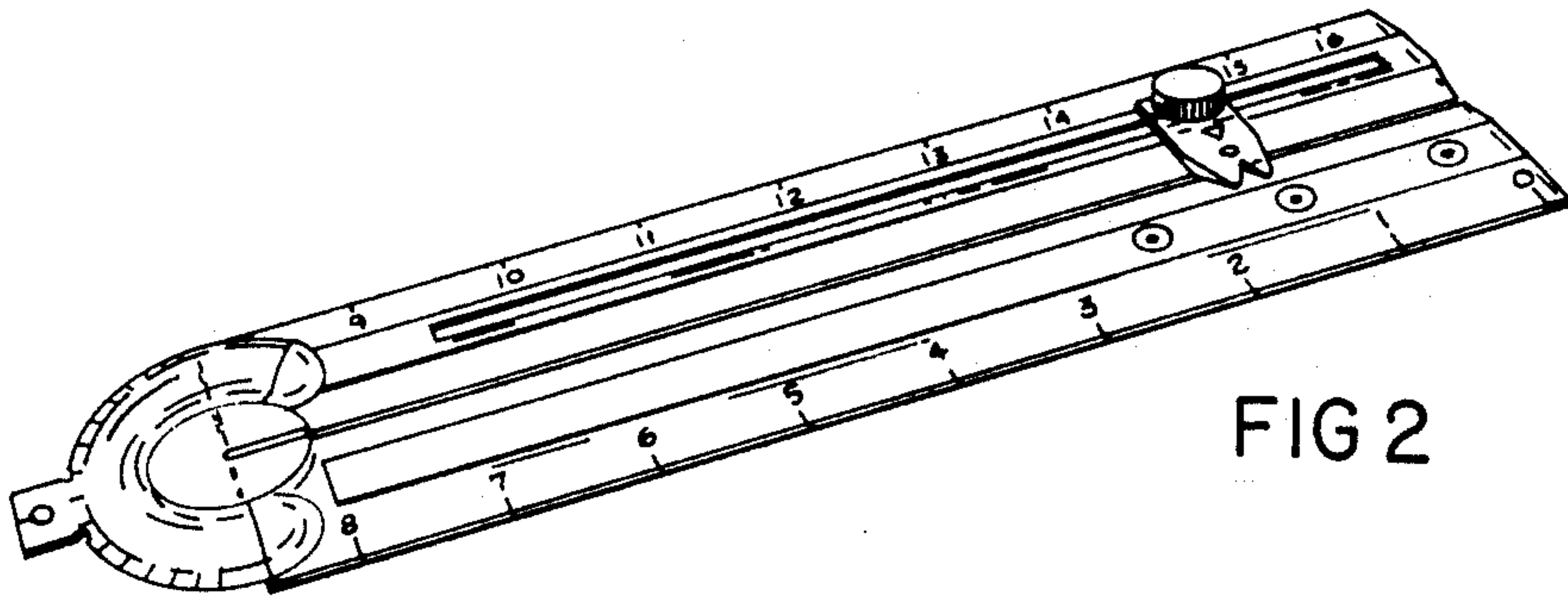


FIG 2

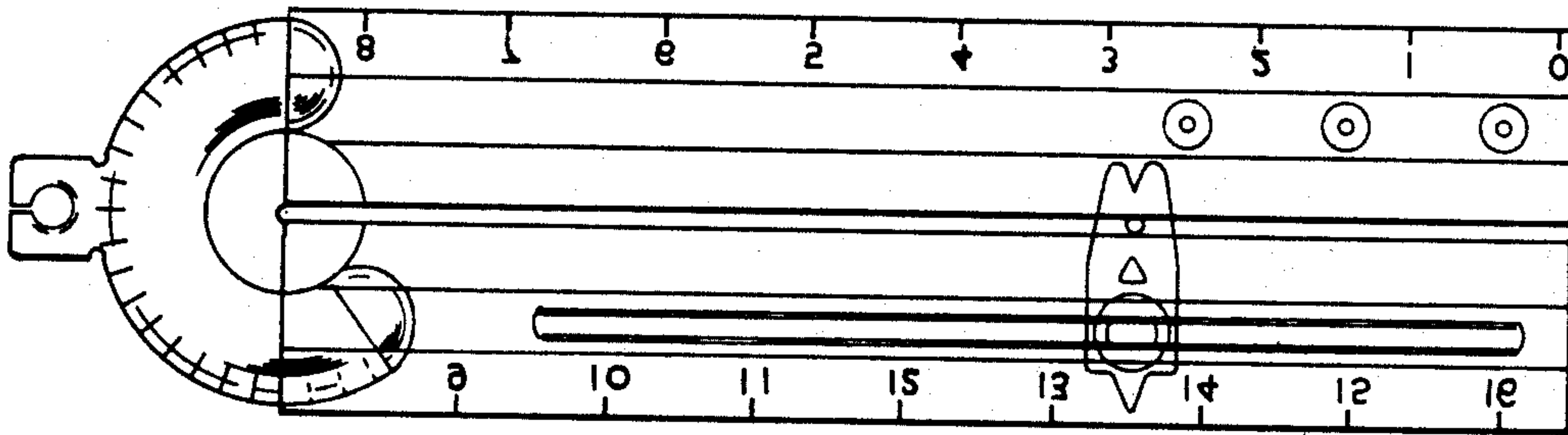


FIG 3



FIG 4

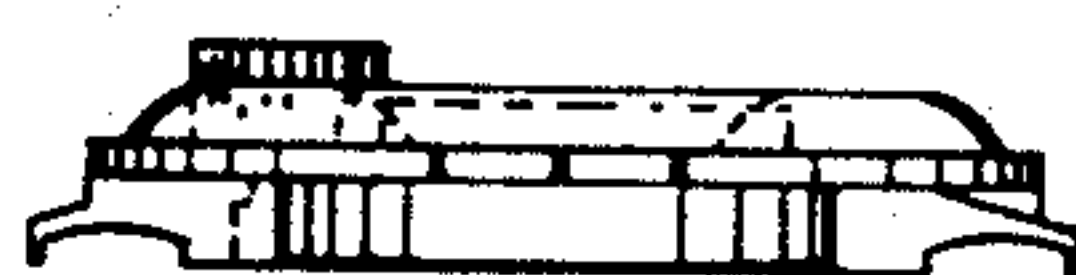


FIG 5