

[54] **PORTABLE TEMPERATURE CONTROLLED CONTAINER**

[75] Inventor: **Louis J. Corini**, Philadelphia, Pa.

[73] Assignee: **Fogel Commercial Refrigerator Company**, Philadelphia, Pa.

[**] Term: **14 Years**

[21] Appl. No.: **883,045**

[22] Filed: **Mar. 2, 1978**

[51] Int. Cl. **D7-07**

[52] U.S. Cl. **D7/77; D15/83; D3/30**

[58] Field of Search **D15/81, 79, 83; D9/219, D9/240, 246; D87/1 R; D7/77, 76; 312/236; 62/440, 457; 220/1 R; 206/527**

[56] **References Cited**

U.S. PATENT DOCUMENTS

D. 170,002 7/1953 Budlong D15/83

D. 194,638 2/1963 Szantay D7/77
D. 239,249 3/1976 Branscum D7/77
3,351,229 11/1967 Bridenstine D87/1 R

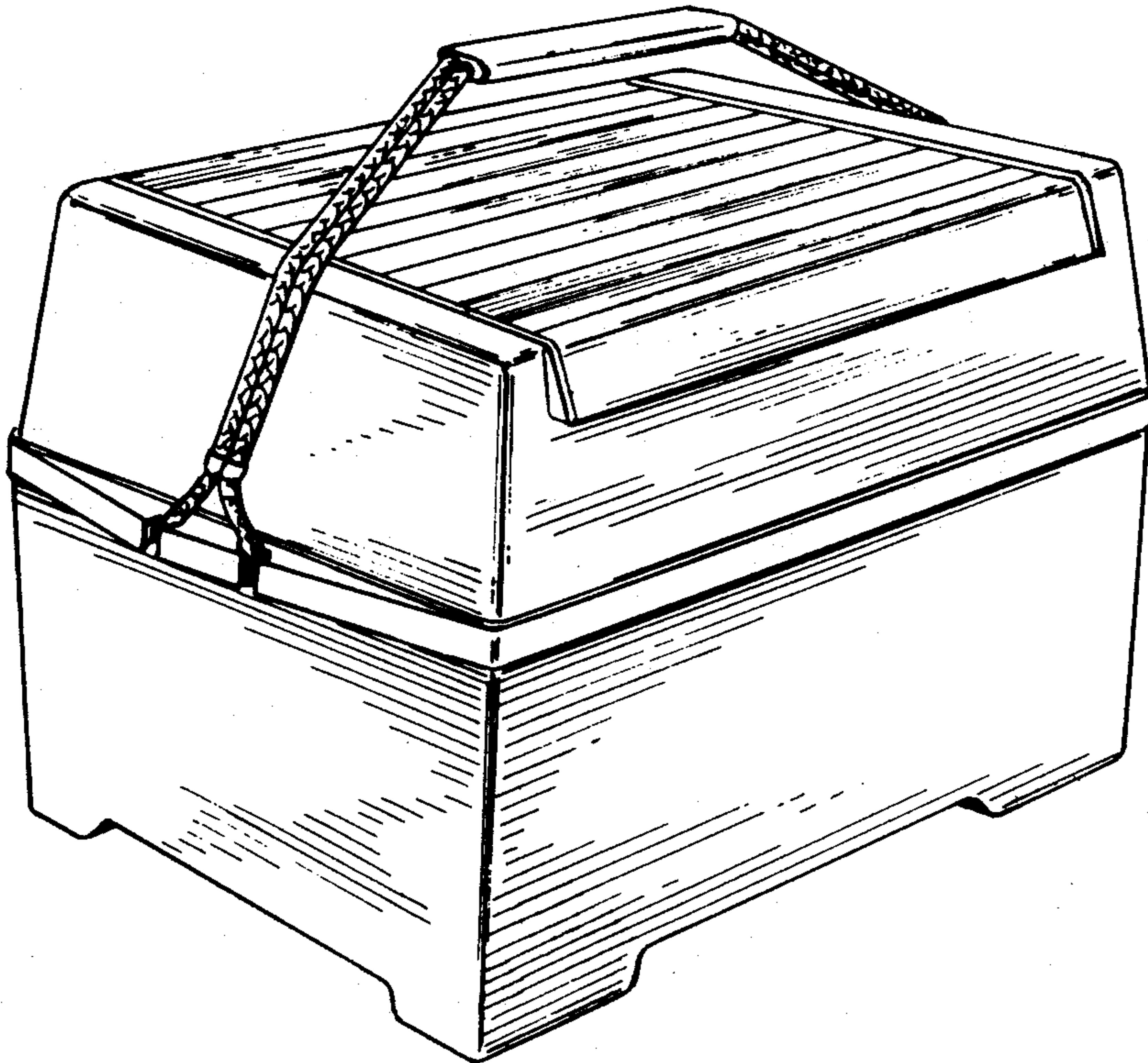
Primary Examiner—James M. Gandy
Attorney, Agent, or Firm—Frank J. Benasutti

[57] **CLAIM**

The ornamental design for portable temperature controlled container, as shown and described.

DESCRIPTION

FIG. 1 is a perspective view of a portable temperature controlled container showing my new design; FIG. 2 is an enlarged top plan view thereof; FIG. 3 is a greatly enlarged fragmentary sectional view taken along the line 3—3 in FIG. 2 to show surface characteristics of the lid of the container; FIG. 4 is an enlarged front elevational view thereof; FIG. 5 is an enlarged right side elevational view thereof; FIG. 6 is an enlarged rear elevational view thereof; and FIG. 7 is an enlarged bottom plan view thereof.



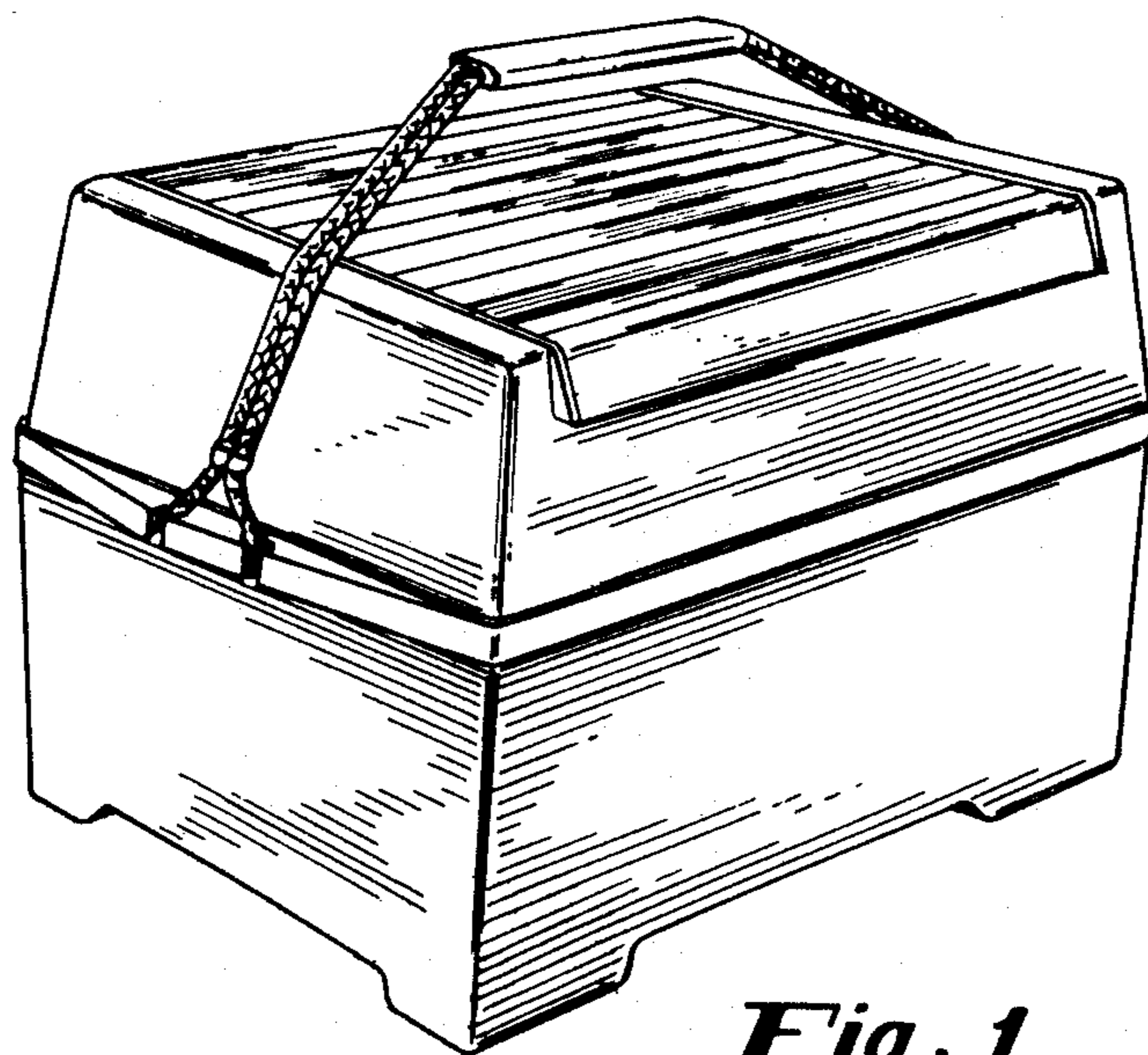


Fig. 1

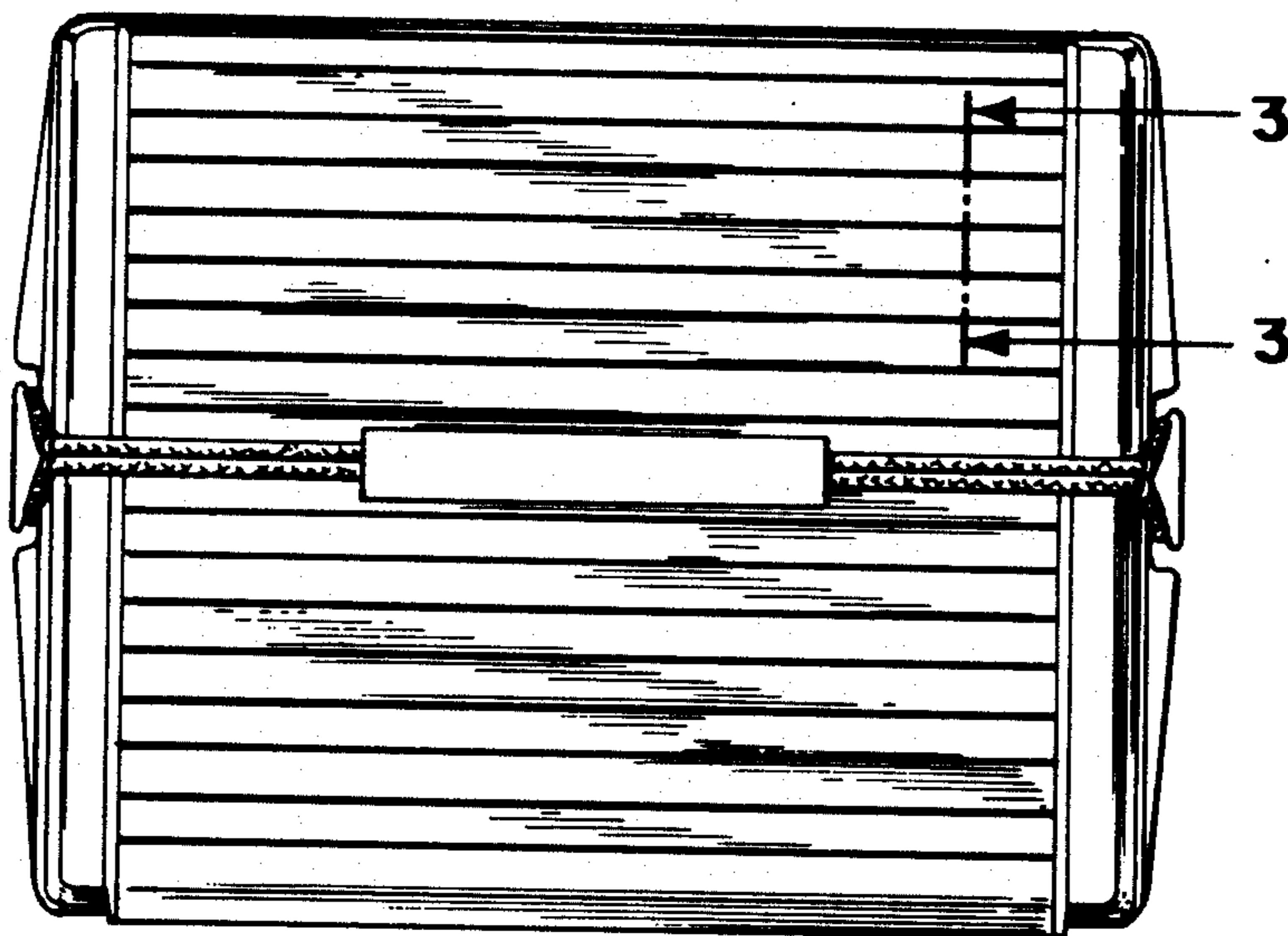


Fig. 2

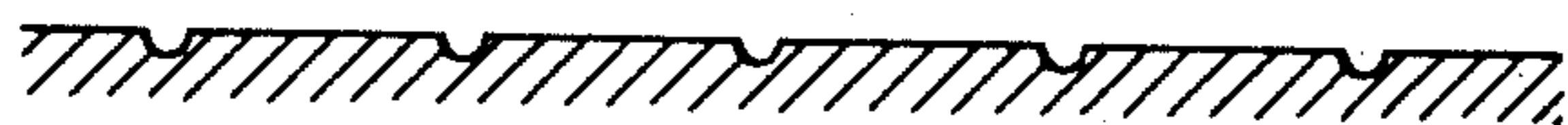


Fig. 3

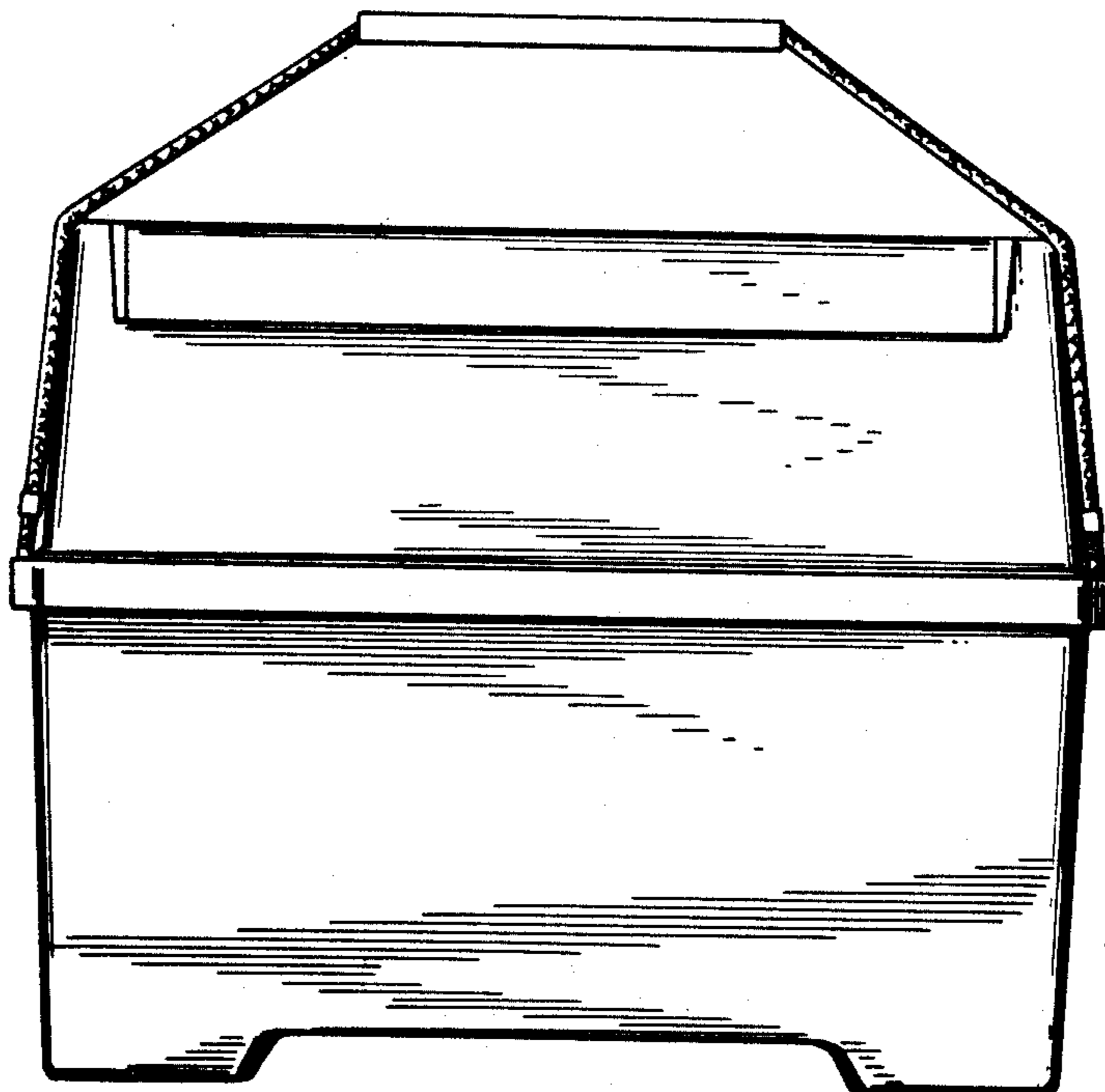


Fig. 4

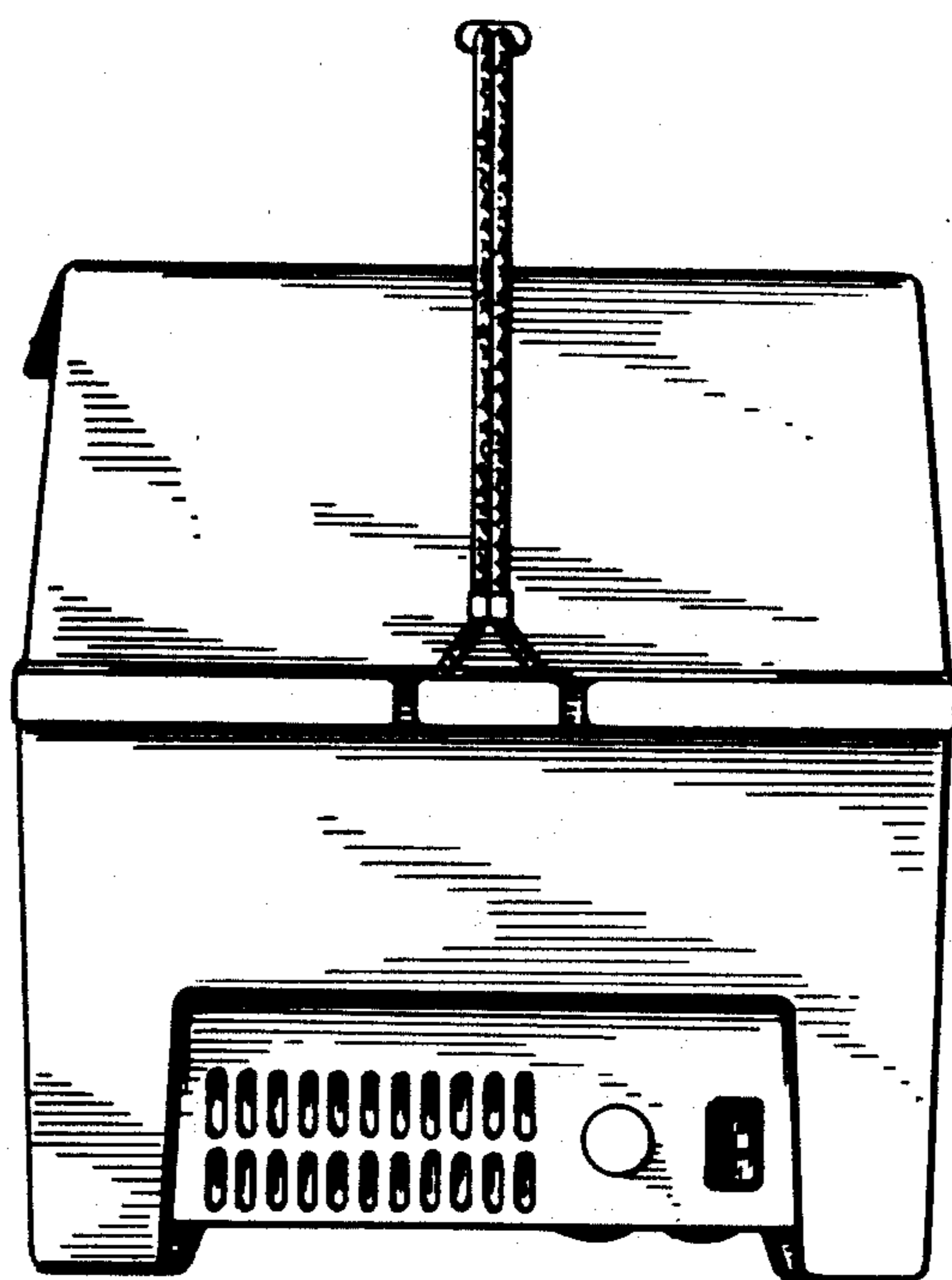


Fig. 5

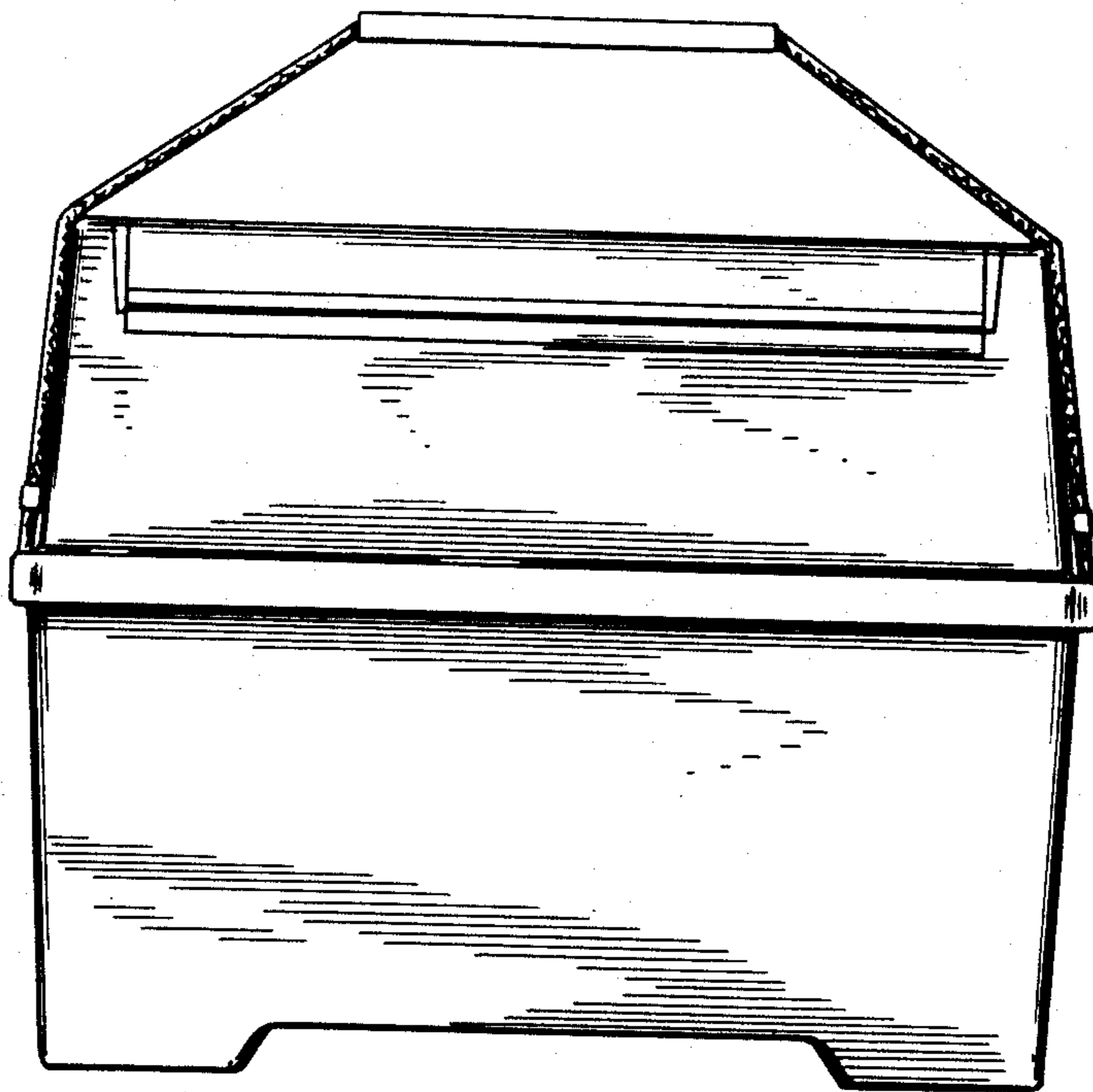


Fig. 6

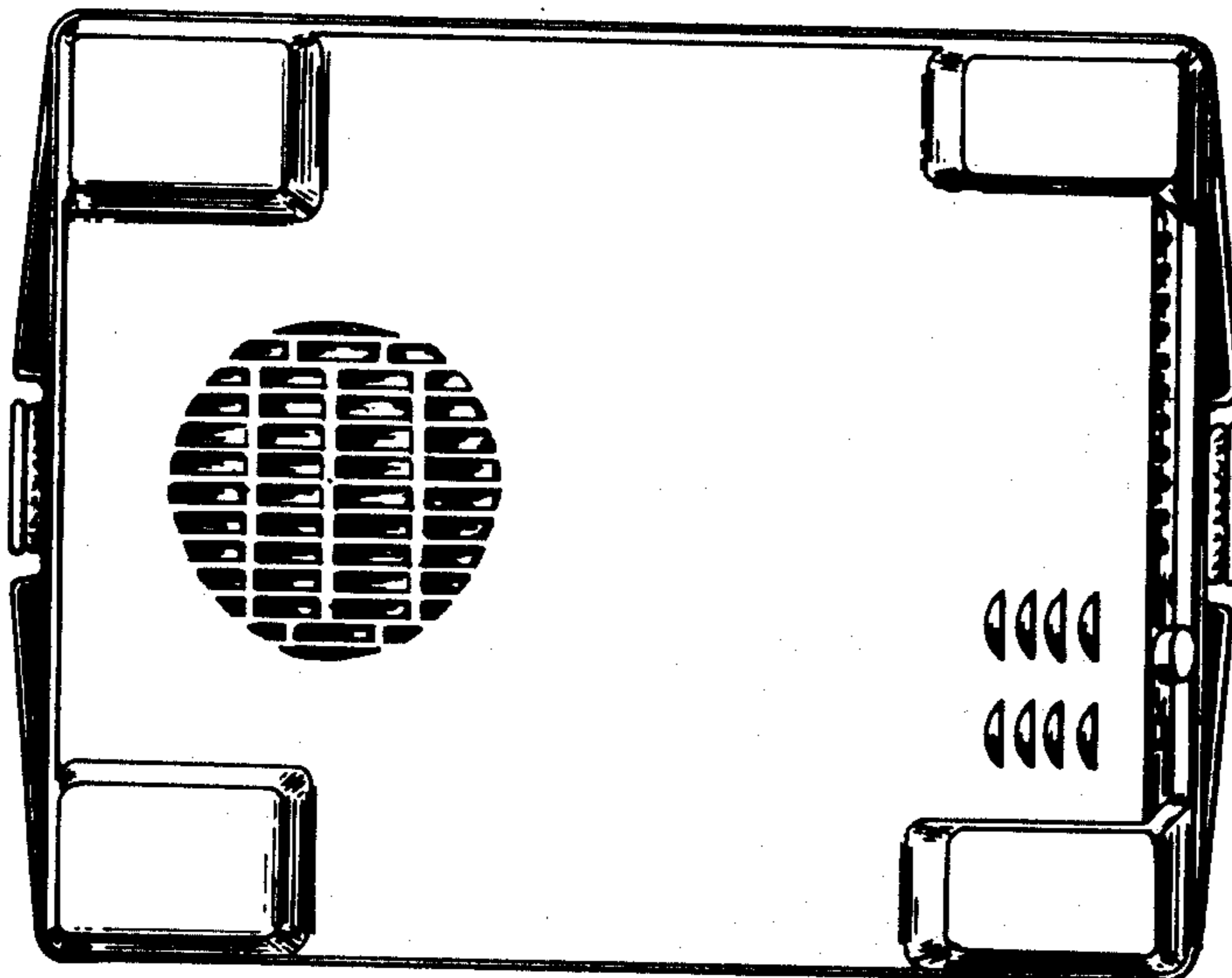


Fig. 7