

[54] AUTOMOBILE TIRE DISPLAY STAND

[75] Inventor: John Gibson, Long Island, N.Y.

[73] Assignee: Central States Diversified, Inc., New York, N.Y.

[**] Term: 14 Years

[21] Appl. No.: 925,439

[22] Filed: Jul. 17, 1978

[51] Int. Cl. D20-02

[52] U.S. Cl. D6/23; D6/28;
D6/29

[58] Field of Search D6/20, 23, 24, 25, 27-29,
D6/85, 157; 211/13, 23, 24, 181, 182, 163

[56]

References Cited

U.S. PATENT DOCUMENTS

D. 171,160	12/1953	Lampman	D6/181
D. 185,752	7/1959	Harper	D6/23
3,335,871	8/1967	Crisman	211/24
3,435,955	4/1969	Brunette	211/24

Primary Examiner—Wallace R. Burke
Assistant Examiner—B. J. Bullock
Attorney, Agent, or Firm—John J. Hart

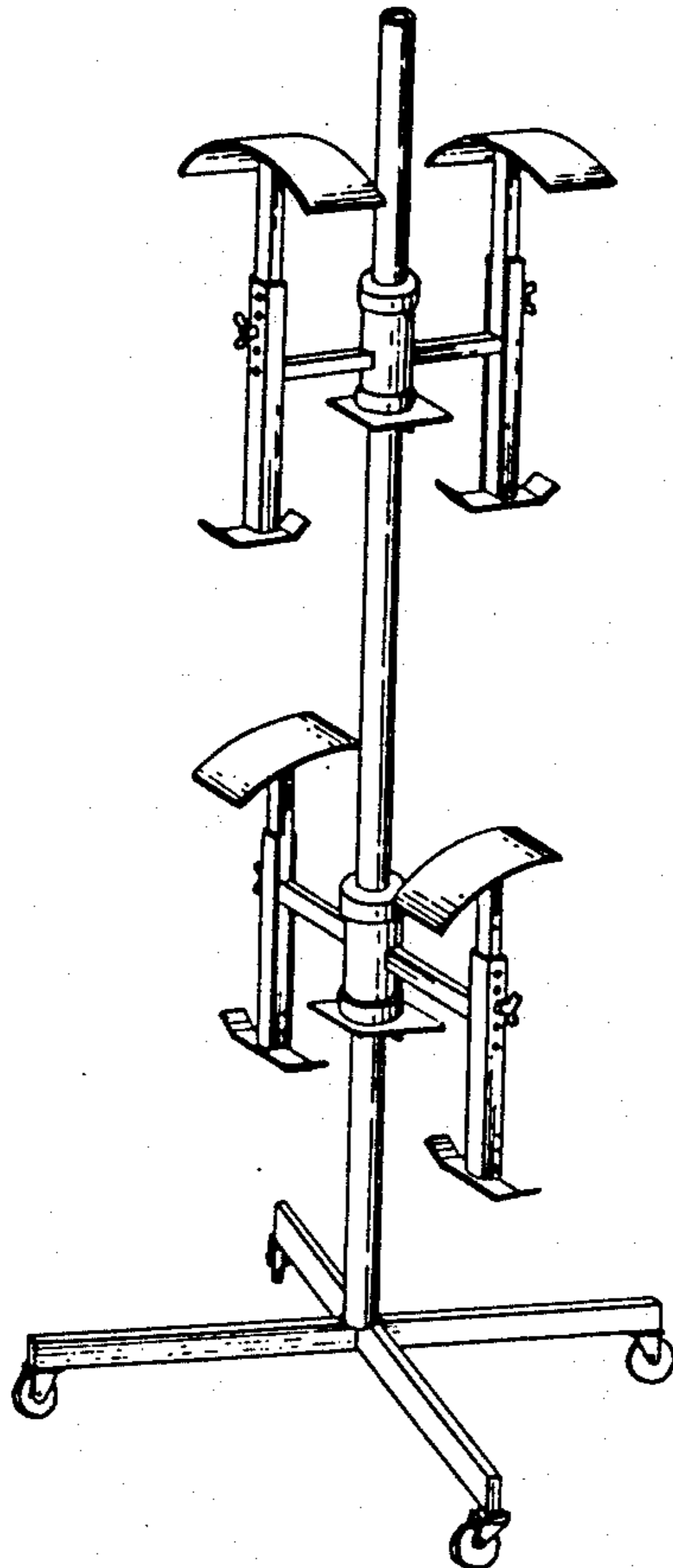
[57]

CLAIM

The ornamental design for an automobile tire display stand, as shown.

DESCRIPTION

FIG. 1 is a front elevational view of an automobile tire display stand showing my new design;
FIG. 2 is a side elevational view thereof;
FIG. 3 is a top plan view thereof;
FIG. 4 is a bottom plan view thereof;
FIG. 5 is an enlarged perspective view thereof.



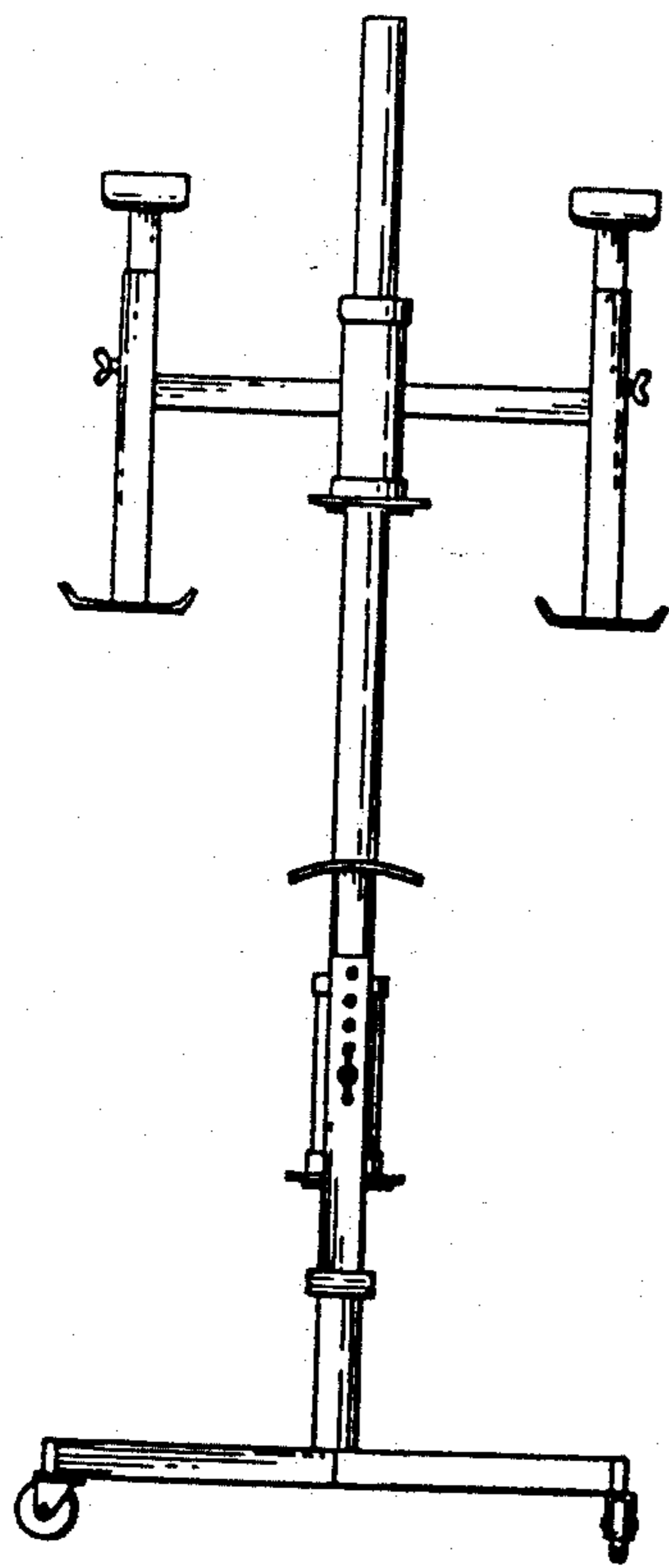


FIG. 1

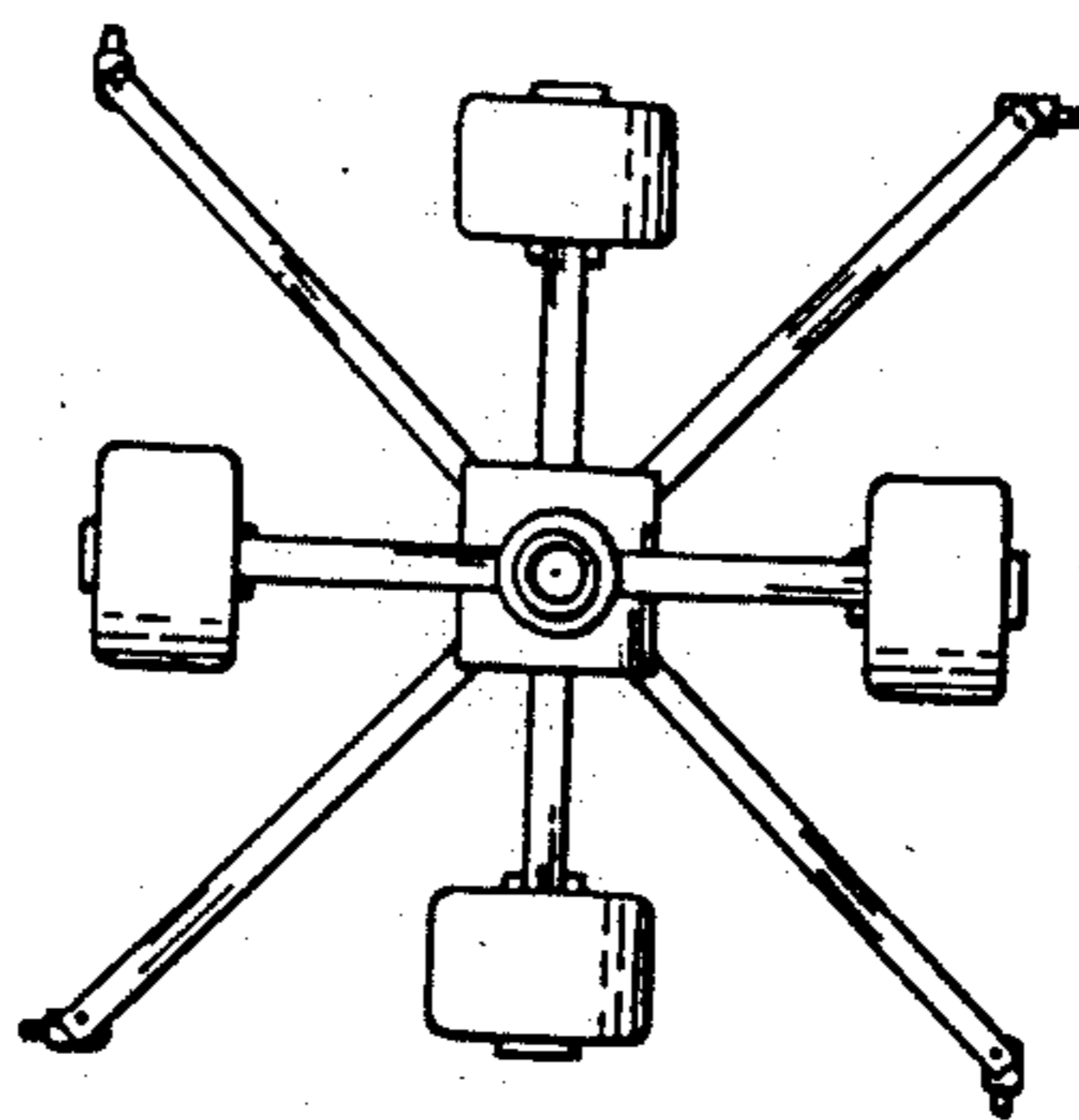


FIG. 3

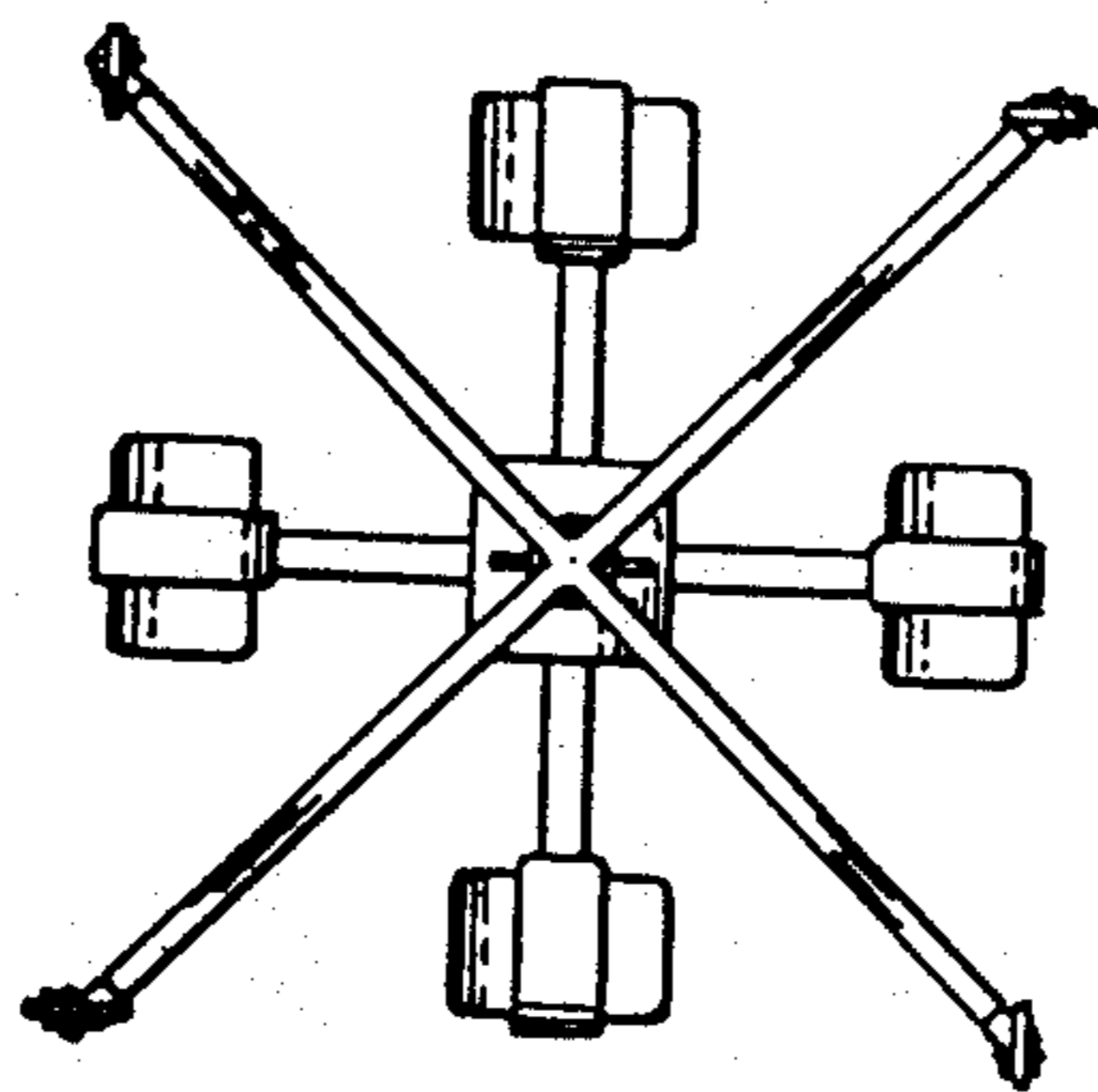


FIG. 4

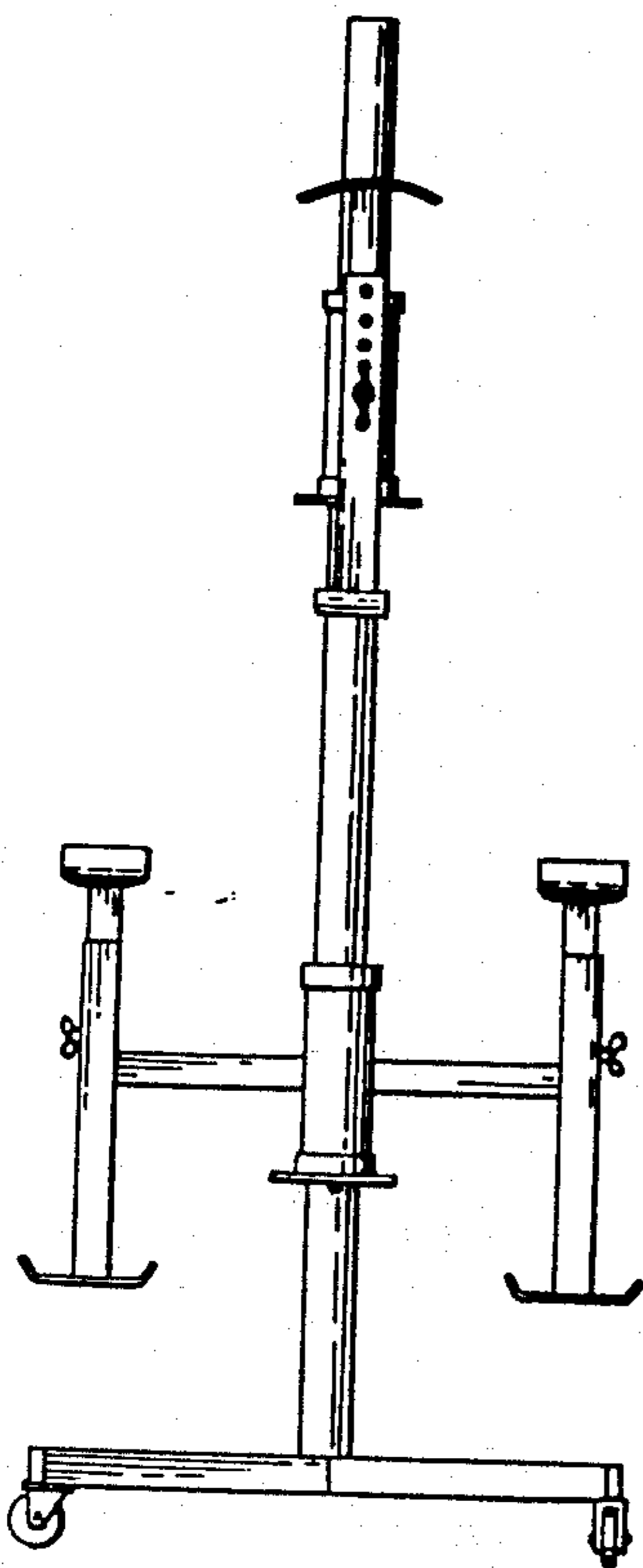


FIG. 2

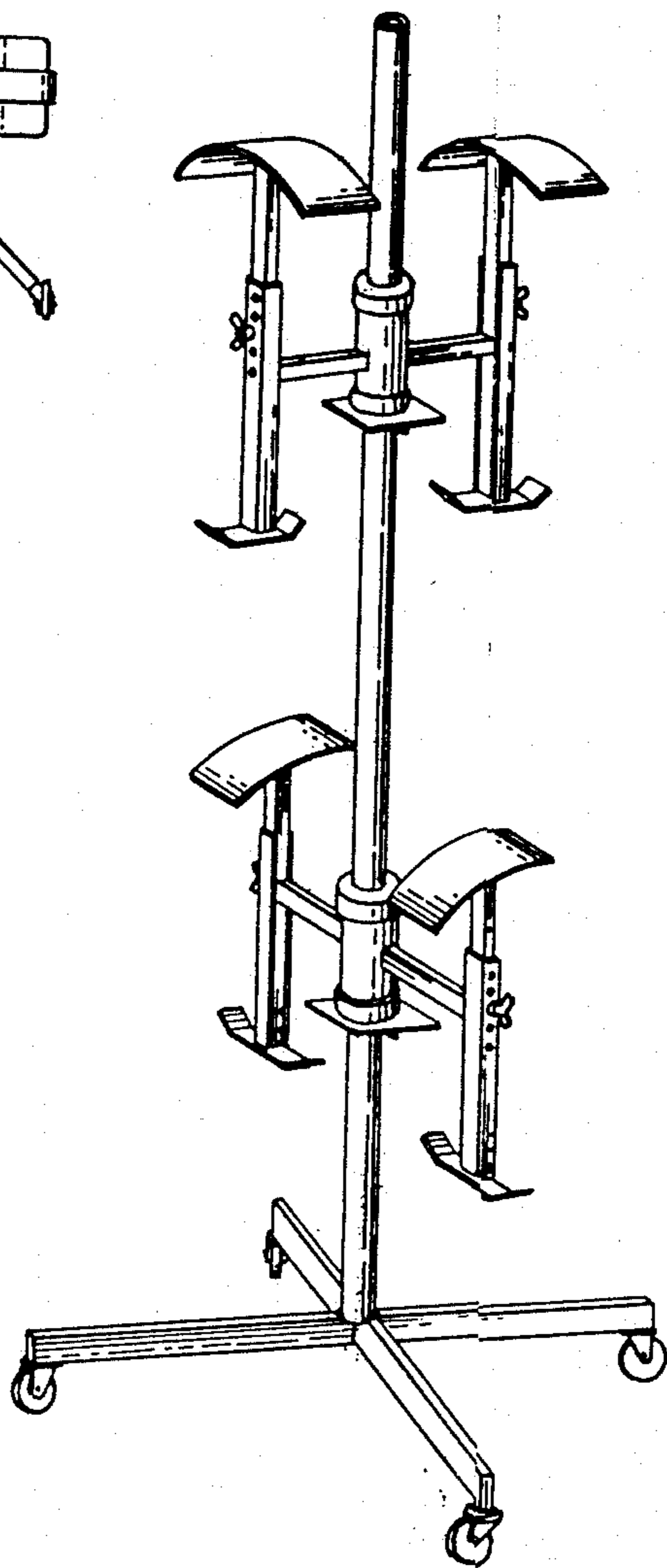


FIG. 5