

[54] COMPACTOR

3,800,694 4/1974 Miller et al. .... 100/45  
4,007,677 2/1977 Fox ..... 100/45

[76] Inventor: Kurt H. Weger, Box 3621, Lawrence,  
Kans. 66044

OTHER PUBLICATIONS

In-Sink-Erator Brochure Form, No. HC 122-73 A,  
Trash Compactor.

[\*\*] Term: 14 Years

Primary Examiner—Bernard Ansher  
Attorney, Agent, or Firm—Saul Leitner

[21] Appl. No.: 784,862

[22] Filed: Apr. 4, 1977

[57] CLAIM

[51] Int. Cl. .... D23-02; D15-99

The ornamental design for a compactor, as shown and  
described.

[52] U.S. Cl. .... D15/123

[58] Field of Search ..... D15/123; 100/45, 49,  
100/53, 229, 220, DIG. 2; 312/31, 29

DESCRIPTION

[56] References Cited

FIG. 1 is a perspective view of a compactor or the like  
showing my design;

U.S. PATENT DOCUMENTS

FIG. 2 is a front elevational view;

D. 191,179 8/1961 Podolske ..... D15/123

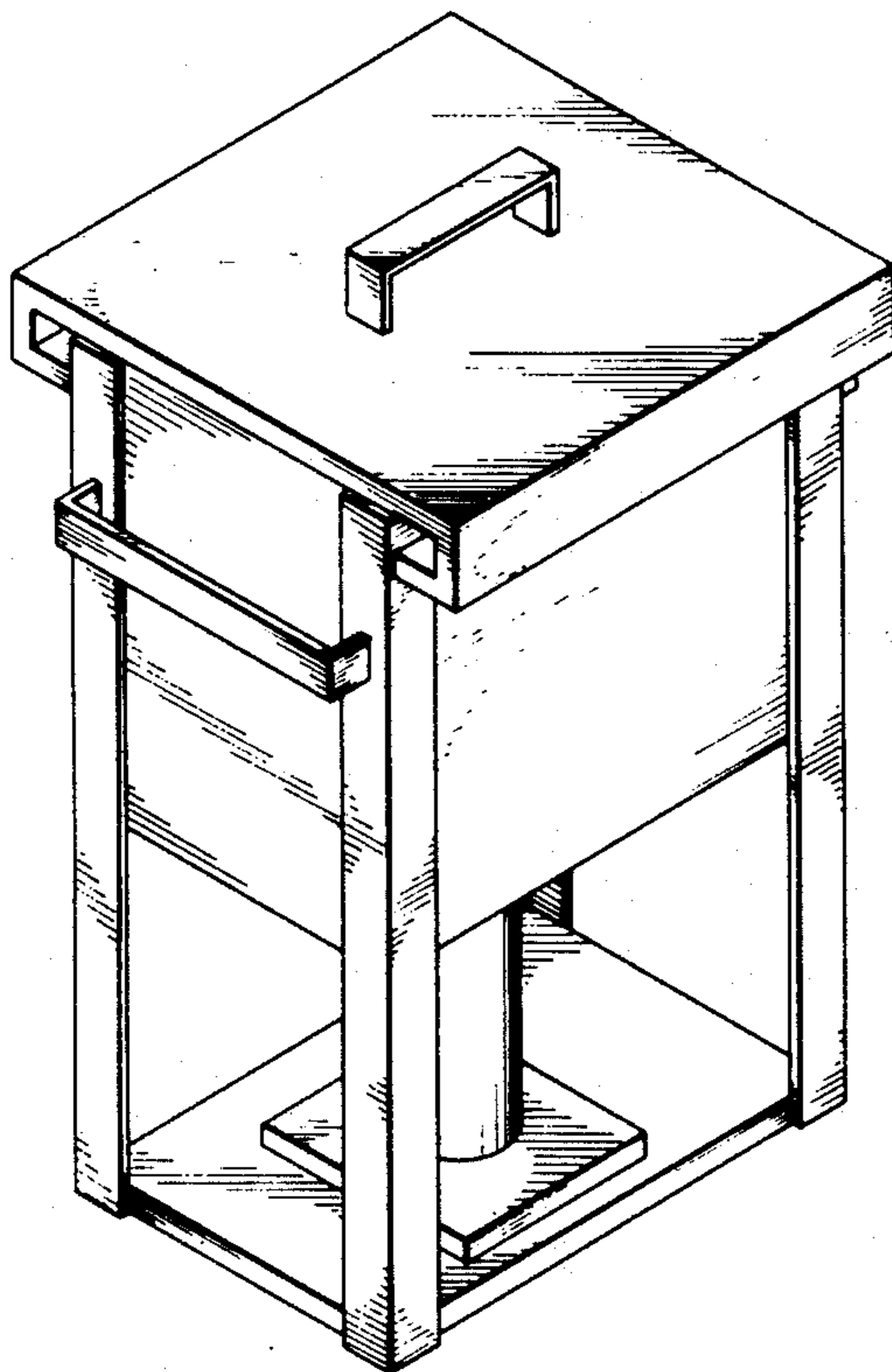
FIG. 3 is a side elevational view;

D. 232,764 9/1974 Turley ..... D15/123

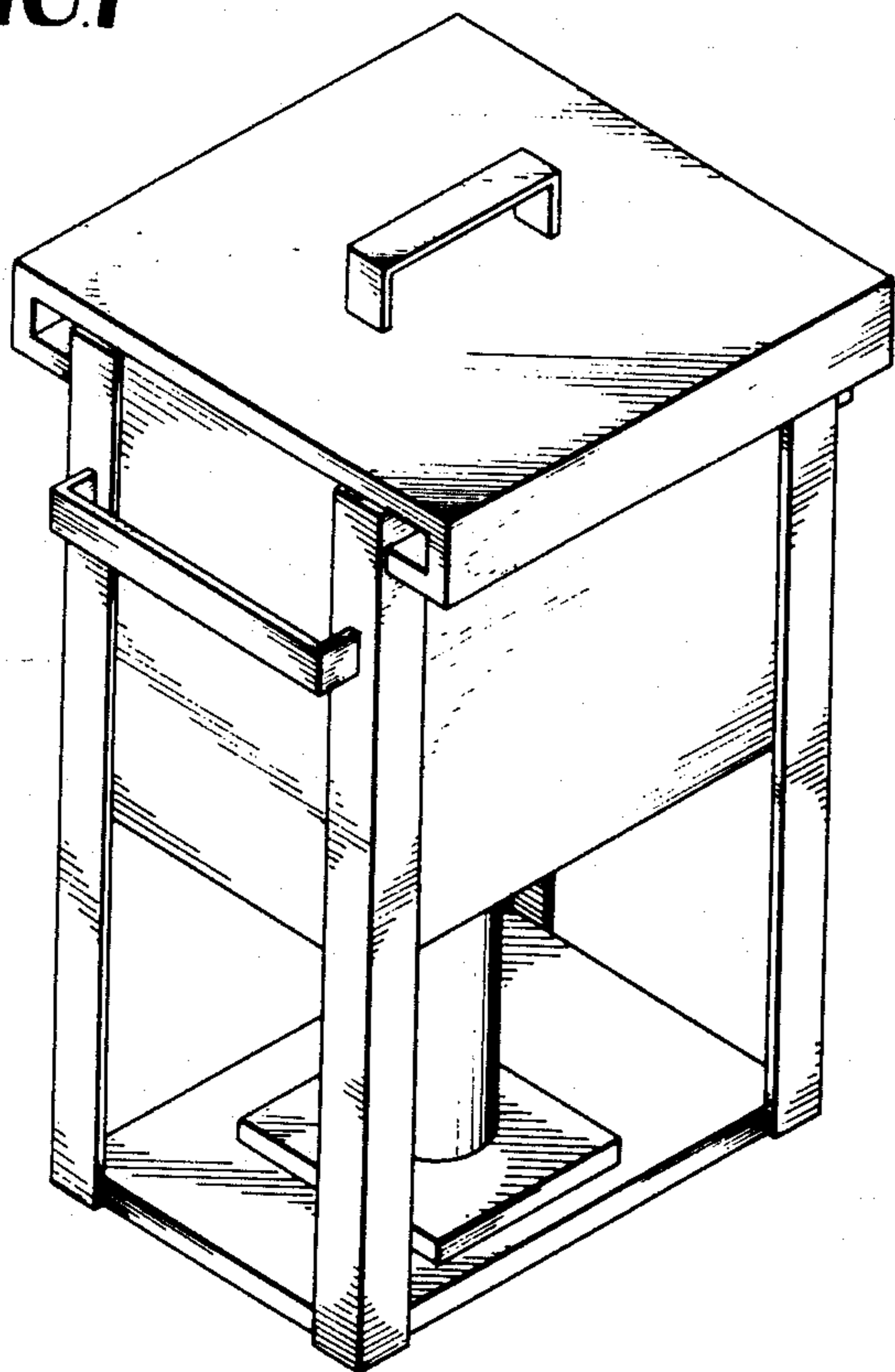
FIG. 4 is a top plan view; and

D. 237,738 11/1975 Necas ..... D15/123

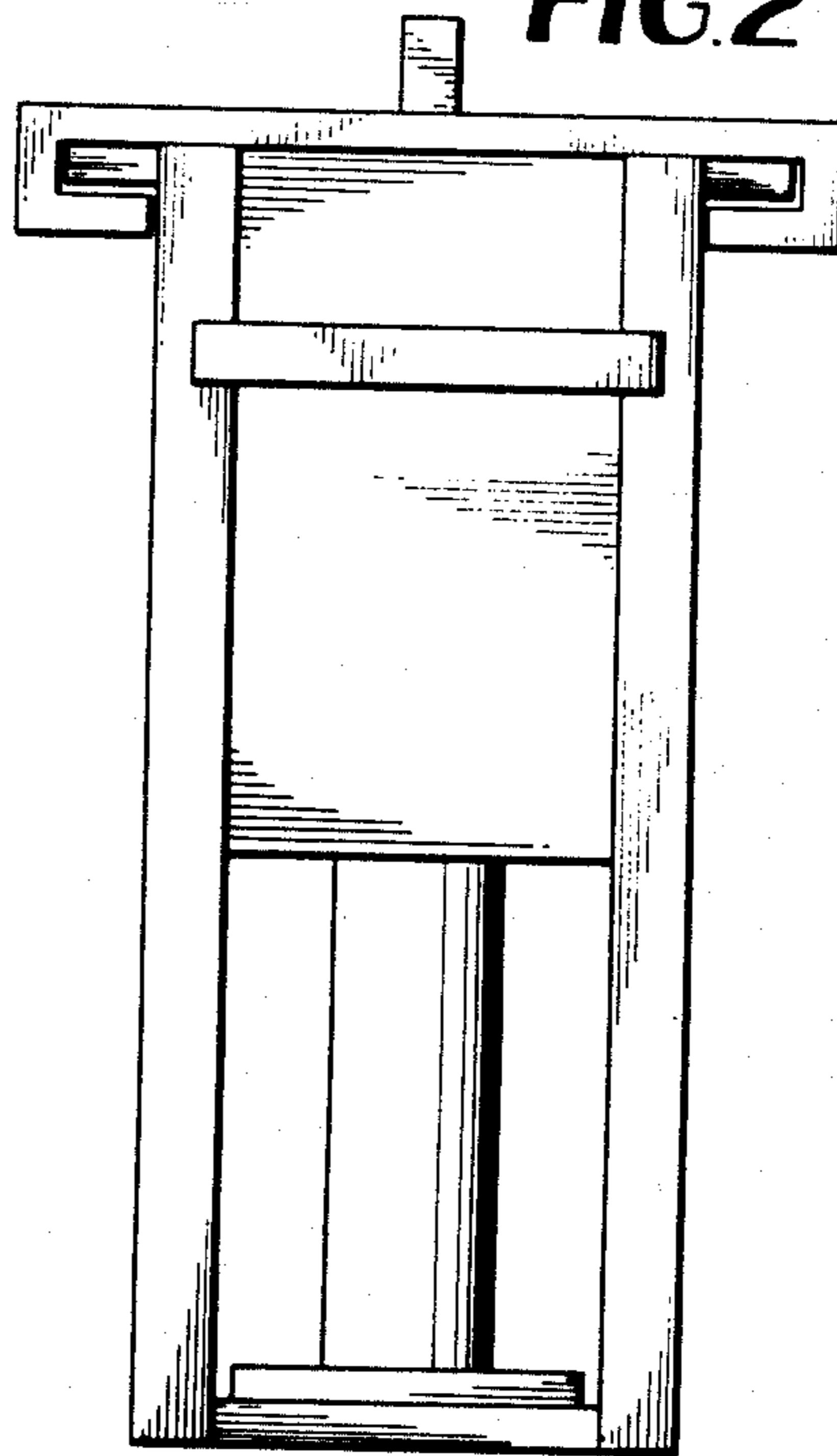
FIG. 5 is a bottom plan view.



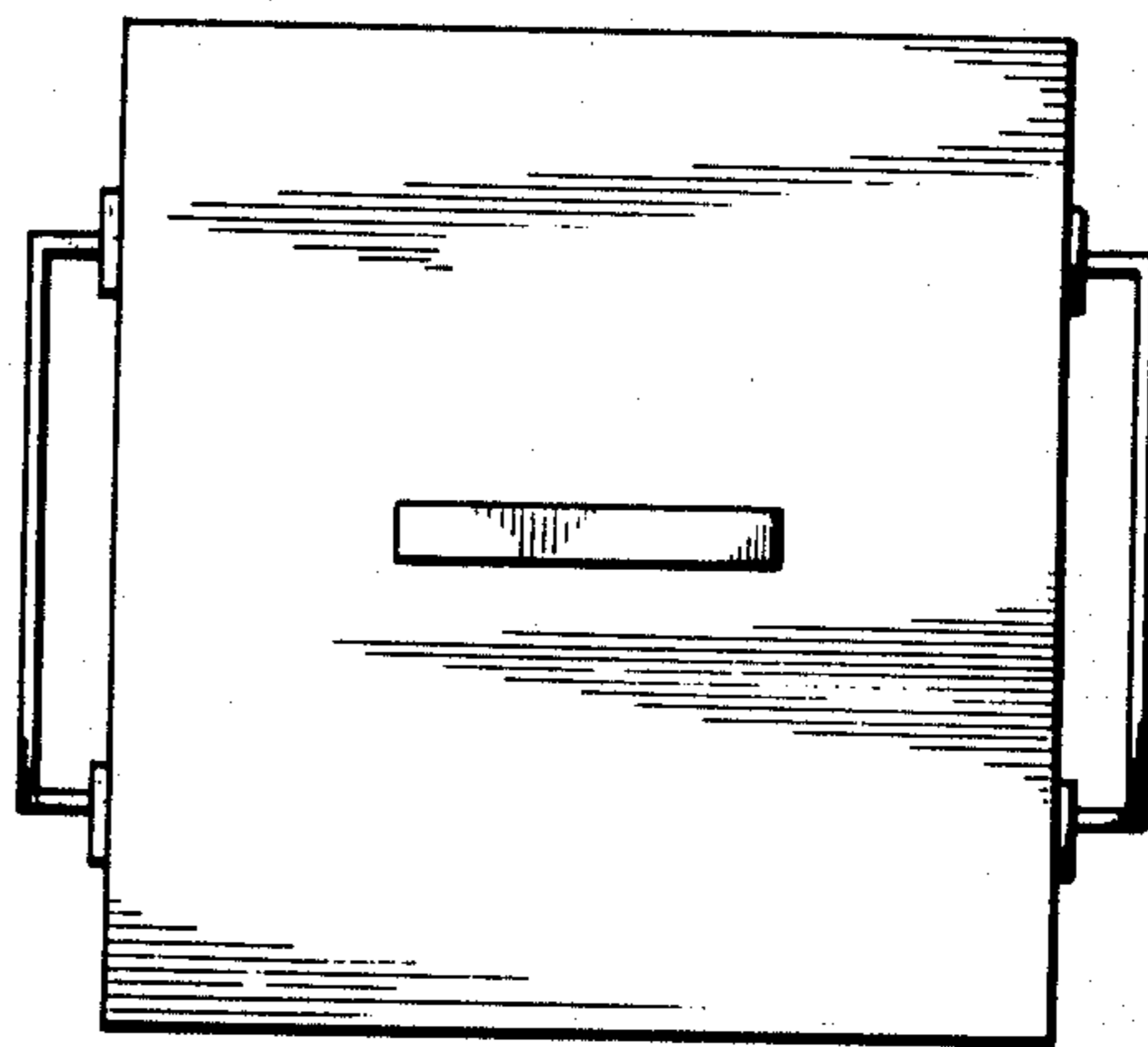
**FIG. 1**



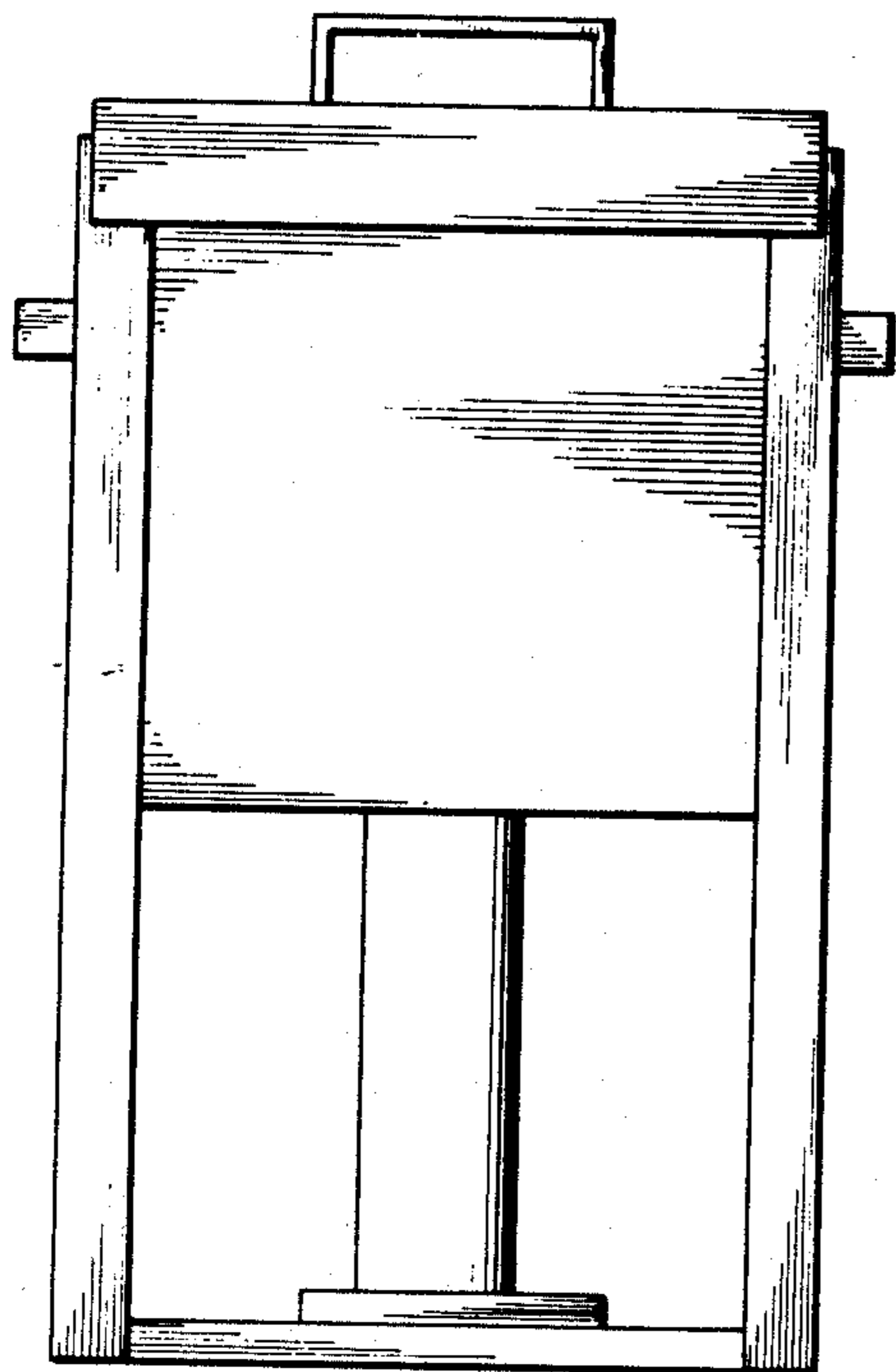
**FIG. 2**



**FIG. 4**



**FIG. 3**



**FIG. 5**

