

[54] HOUSING FOR ELECTRICAL CIRCUITS

[76] Inventor: Wilford K. Comstock, 8152 S. Danish Rd., Sandy, Utah 84070

[**] Term: 14 Years

[21] Appl. No.: 808,882

[22] Filed: Jun. 22, 1977

[51] Int. Cl. D13-03

[52] U.S. Cl. D13/40

[58] Field of Search 174/52 R, 52 PE, 50, 174/53, 58, 59, 60; 361/331, 356, 377, 392; 220/3.2; D13/12, 40, 41

[56] References Cited

U.S. PATENT DOCUMENTS

D. 230,406	2/1974	Hampton	D13/13
2,876,424	3/1959	Stiler	174/52 R X
3,851,221	11/1974	Beaulieu	361/392 X

Primary Examiner—Susan J. Lucas
Attorney, Agent, or Firm—Calvin E. Thorpe

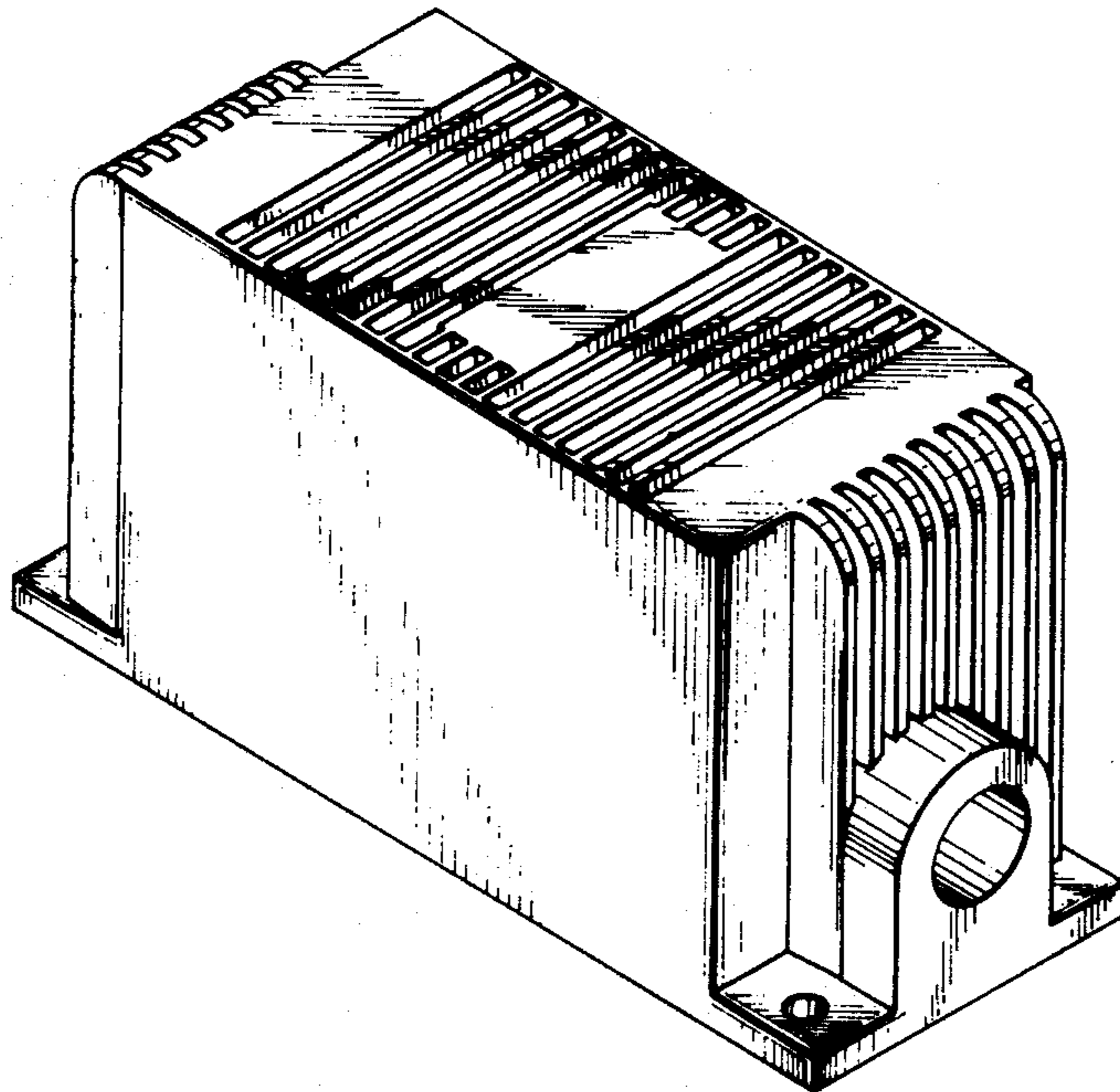
[57] CLAIM

The ornamental design for a housing for electrical circuits, substantially as shown and described.

DESCRIPTION

FIG. 1 is a perspective view of a housing for electrical circuits showing my new design; FIG. 2 is a top plan view thereof; FIG. 3 is a side elevational view thereof, the opposite side being a mirror image; FIG. 4 is an end, elevational view as seen from the left of FIGS. 2 and 3; FIG. 5 is an opposite, end, elevational view as seen from the right of FIGS. 2 and 3; and FIG. 6 is a bottom view thereof.

The side opposite that shown in FIG. 3 is substantially the same as that of FIG. 3 and is therefore not shown separately.



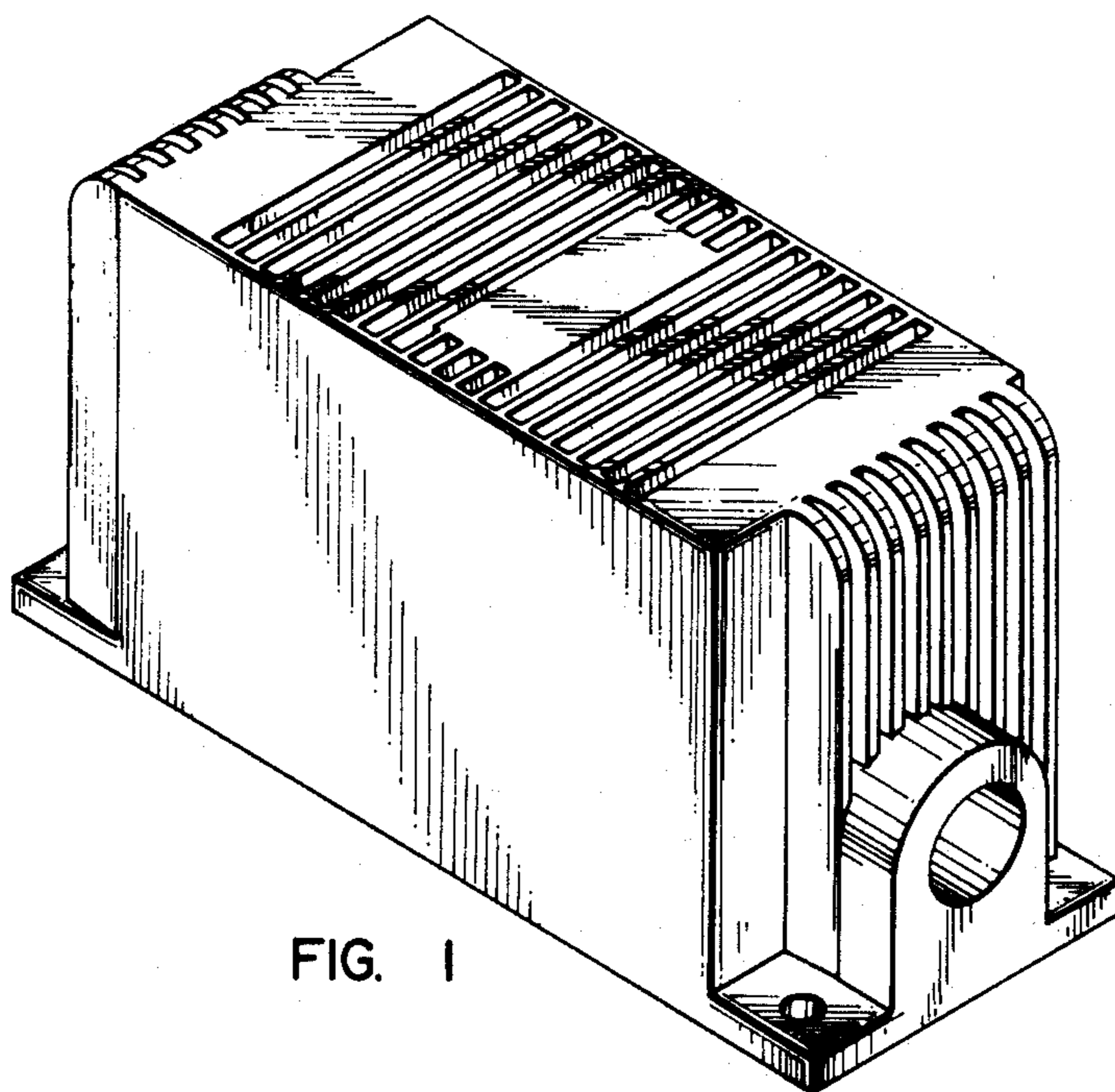


FIG. 1

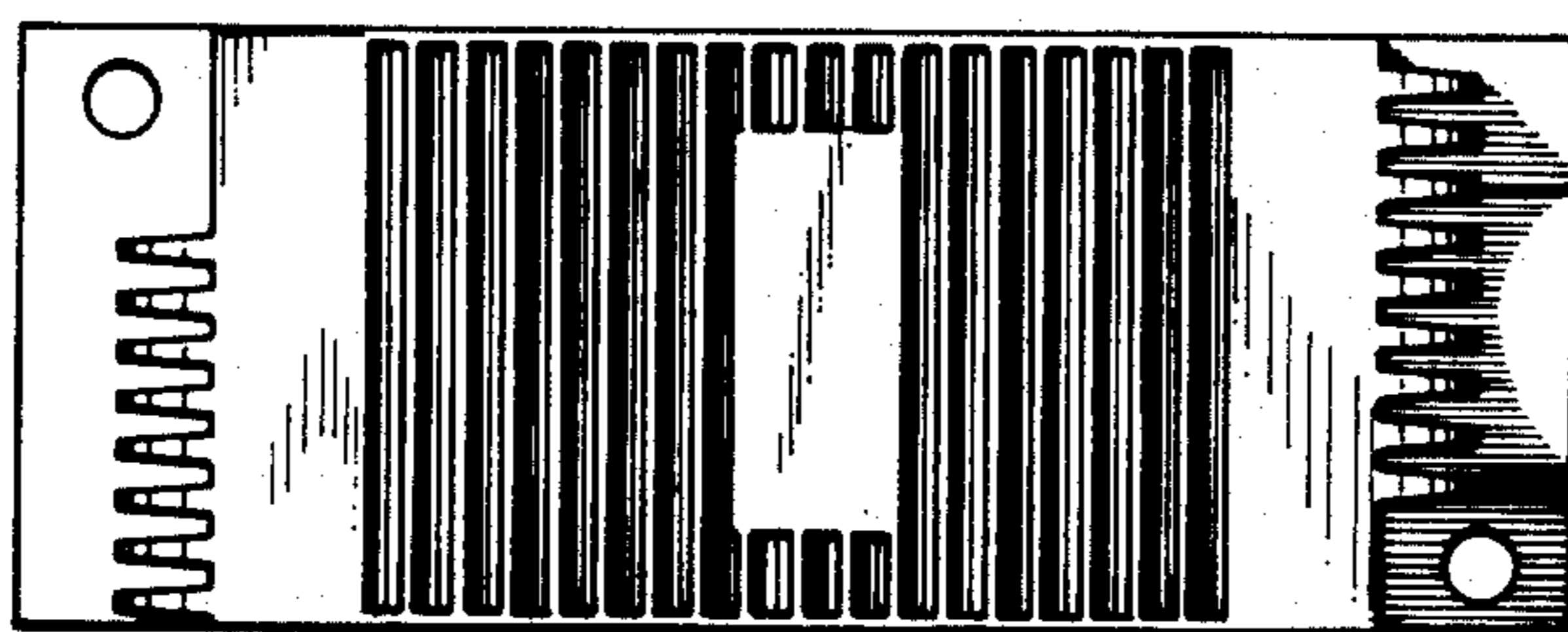


FIG. 2

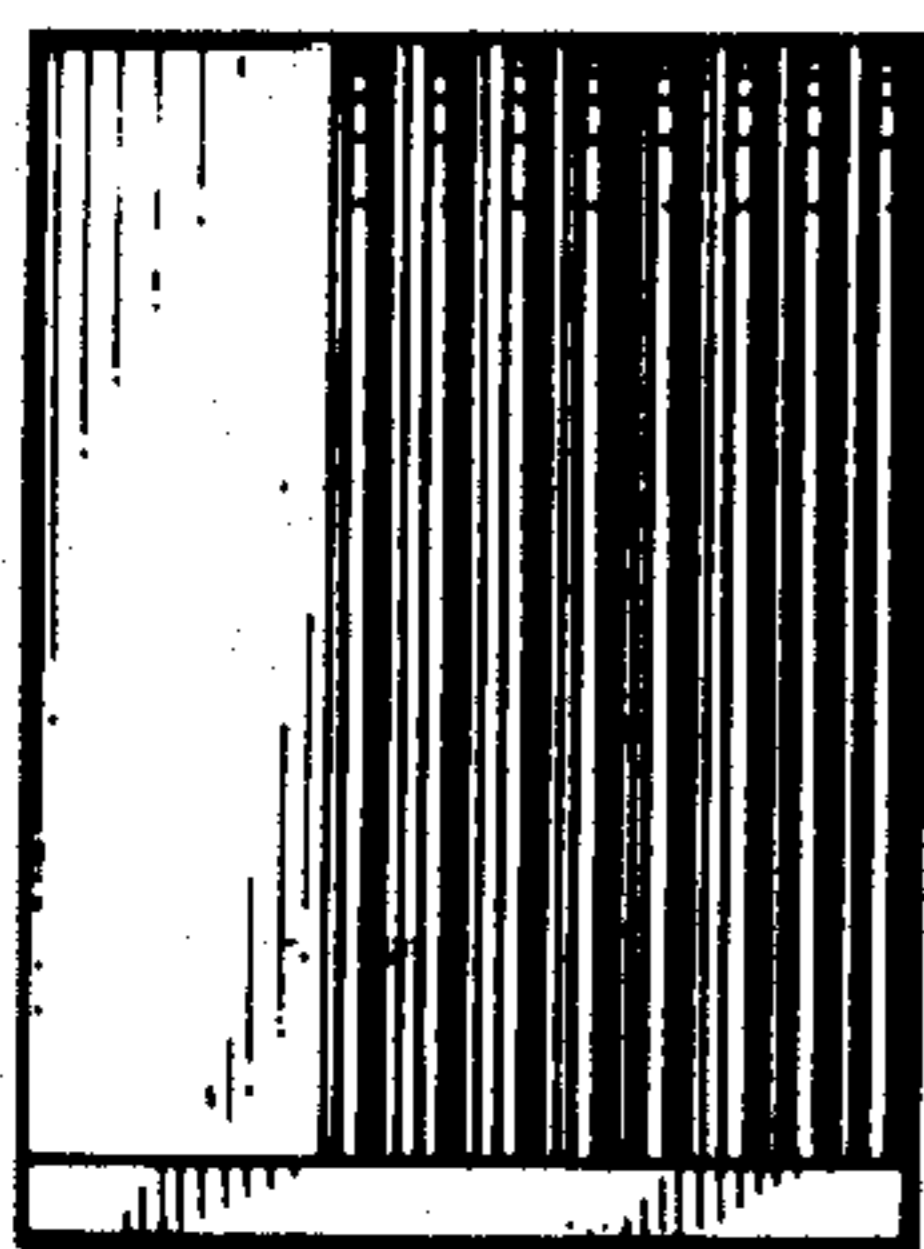


FIG. 4

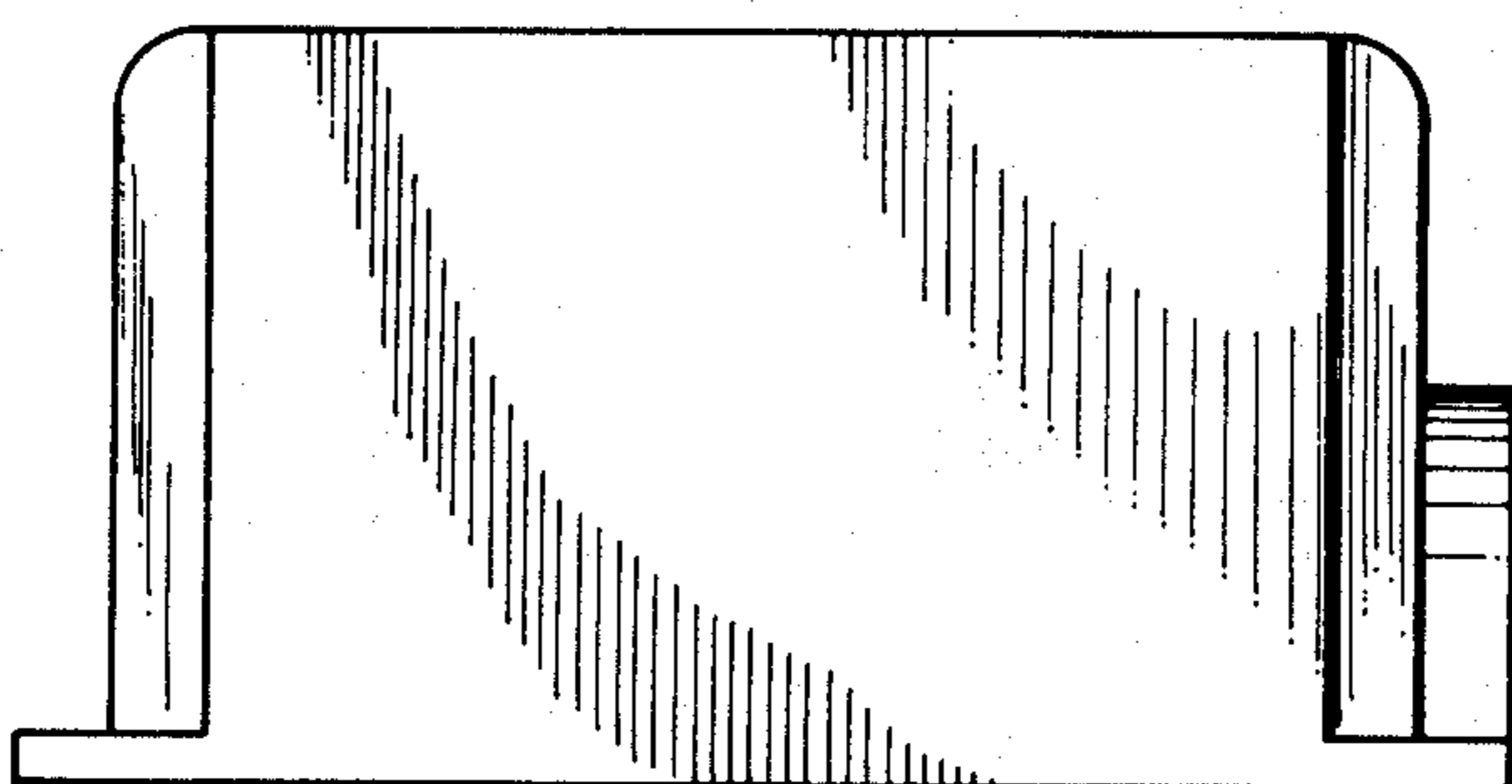


FIG. 3

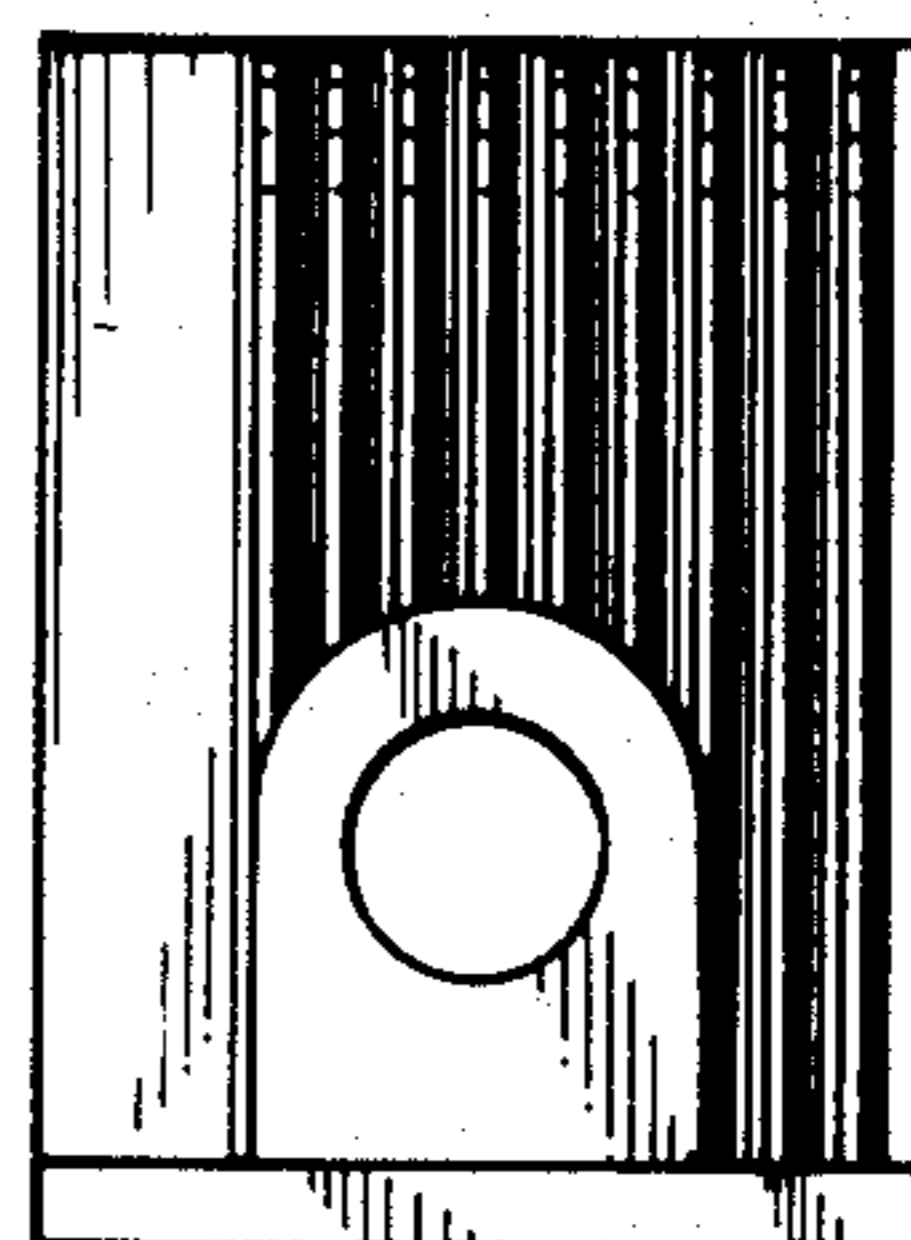


FIG. 5

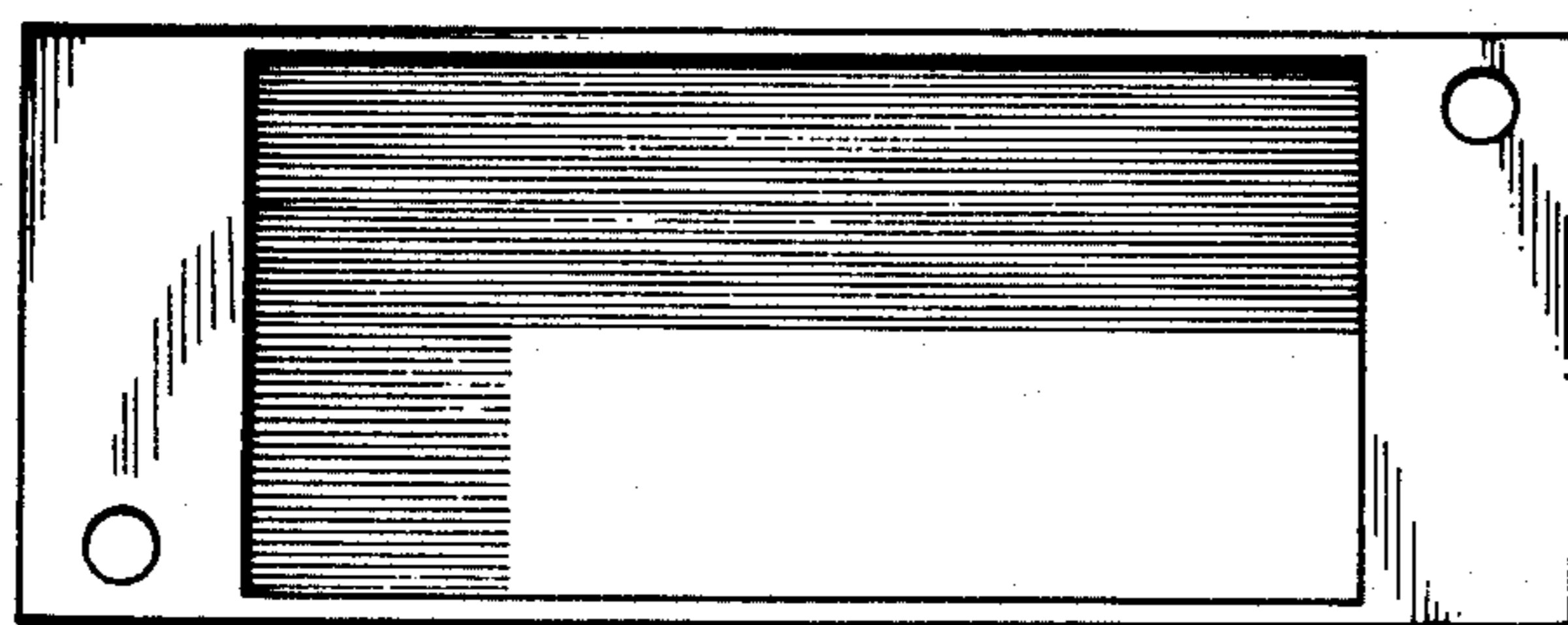


FIG. 6