

[54] WHEEL

[75] Inventor: **Russell O. Blanchard**, Marshall, Mich.

[73] Assignee: **Motor Wheel Corporation**, Lansing, Mich.

[**] Term: **14 Years**

[21] Appl. No.: **840,500**

[22] Filed: **Oct. 7, 1977**

[51] Int. Cl. **D12-16**

[52] U.S. Cl. **D12/211**

[58] Field of Search **D12/209, 211; 301/63 R, 301/63 DD, 63 DT, 63 PW, 64 R, 64 SD, 65, 66, 64 SH**

[56]

References Cited

U.S. PATENT DOCUMENTS

D. 197,840 3/1964 Deaver D12/209
D. 216,191 12/1969 Parker D12/211

OTHER PUBLICATIONS

Competition Press & Autoweek, 5/29/71, p. 32, Wheel.

Primary Examiner—James M. Gandy

Attorney, Agent, or Firm—Arthur Raisch

[57]

CLAIM

The ornamental design for a wheel, substantially as shown.

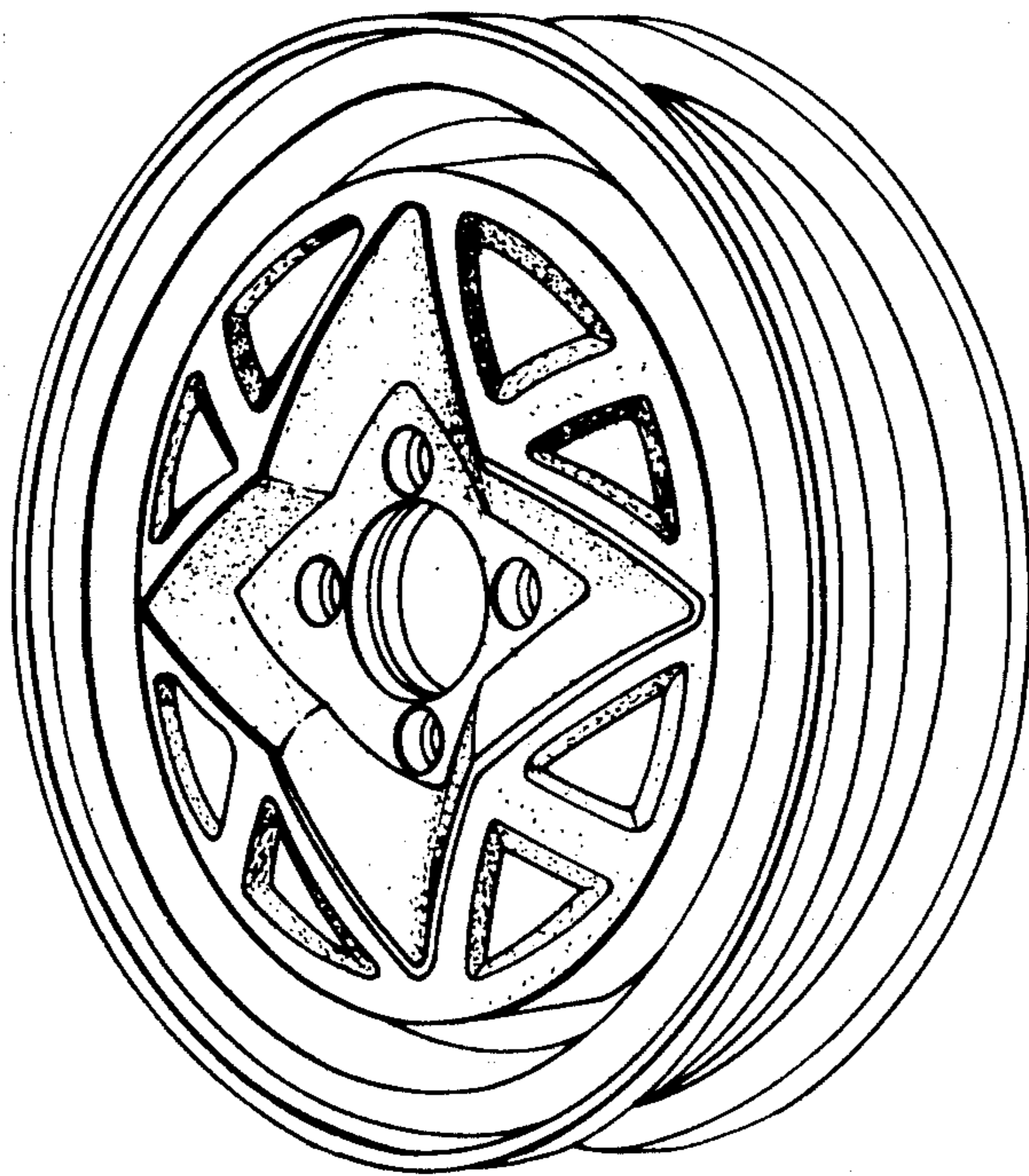
DESCRIPTION

FIG. 1 is a front perspective view of a wheel showing my new design.

FIG. 2 is a front elevational view thereof.

FIG. 3 is a rear elevational view thereof.

FIG. 4 is a sectional view thereof taken along line 4—4 in FIG. 2.



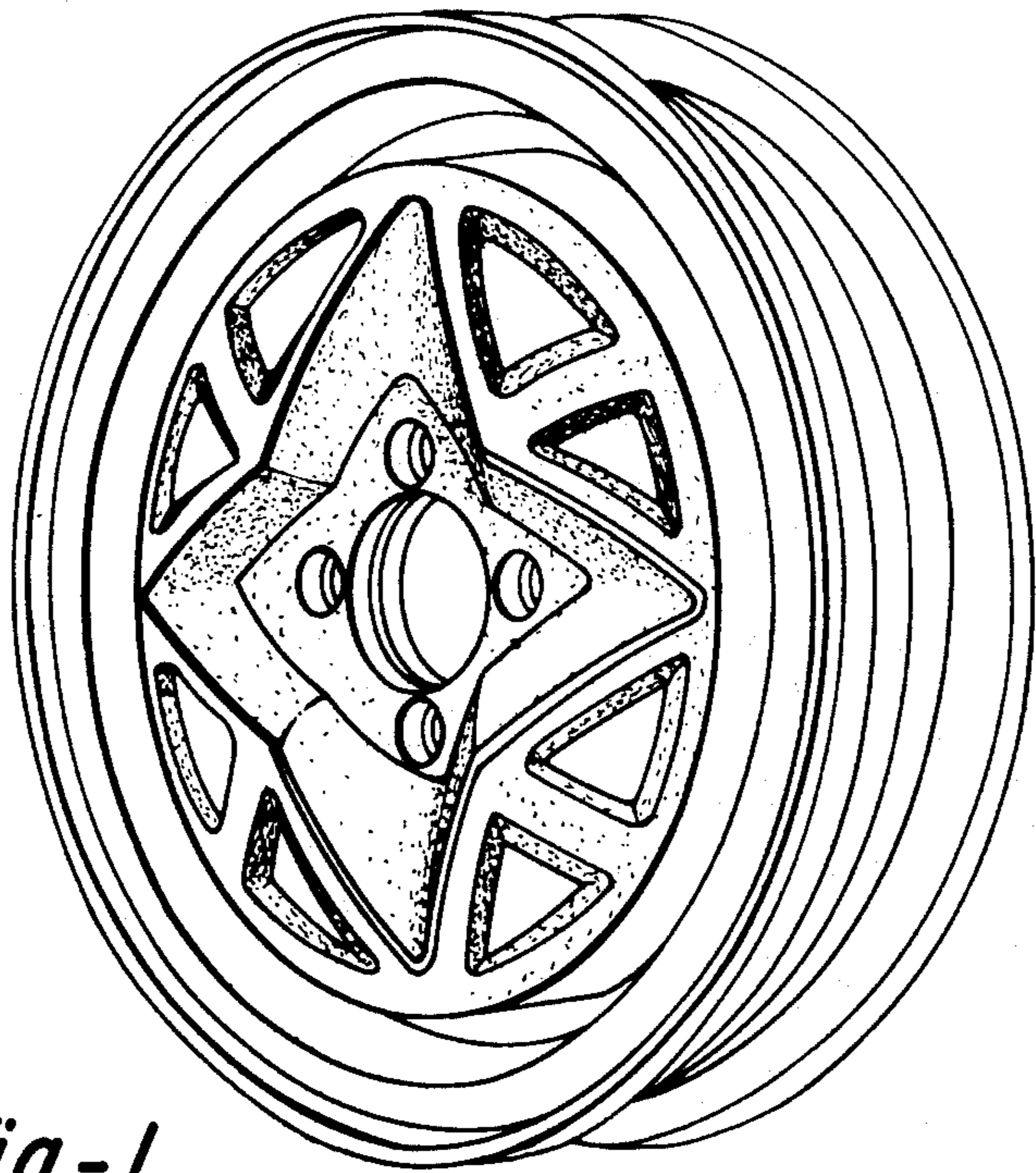


Fig-1

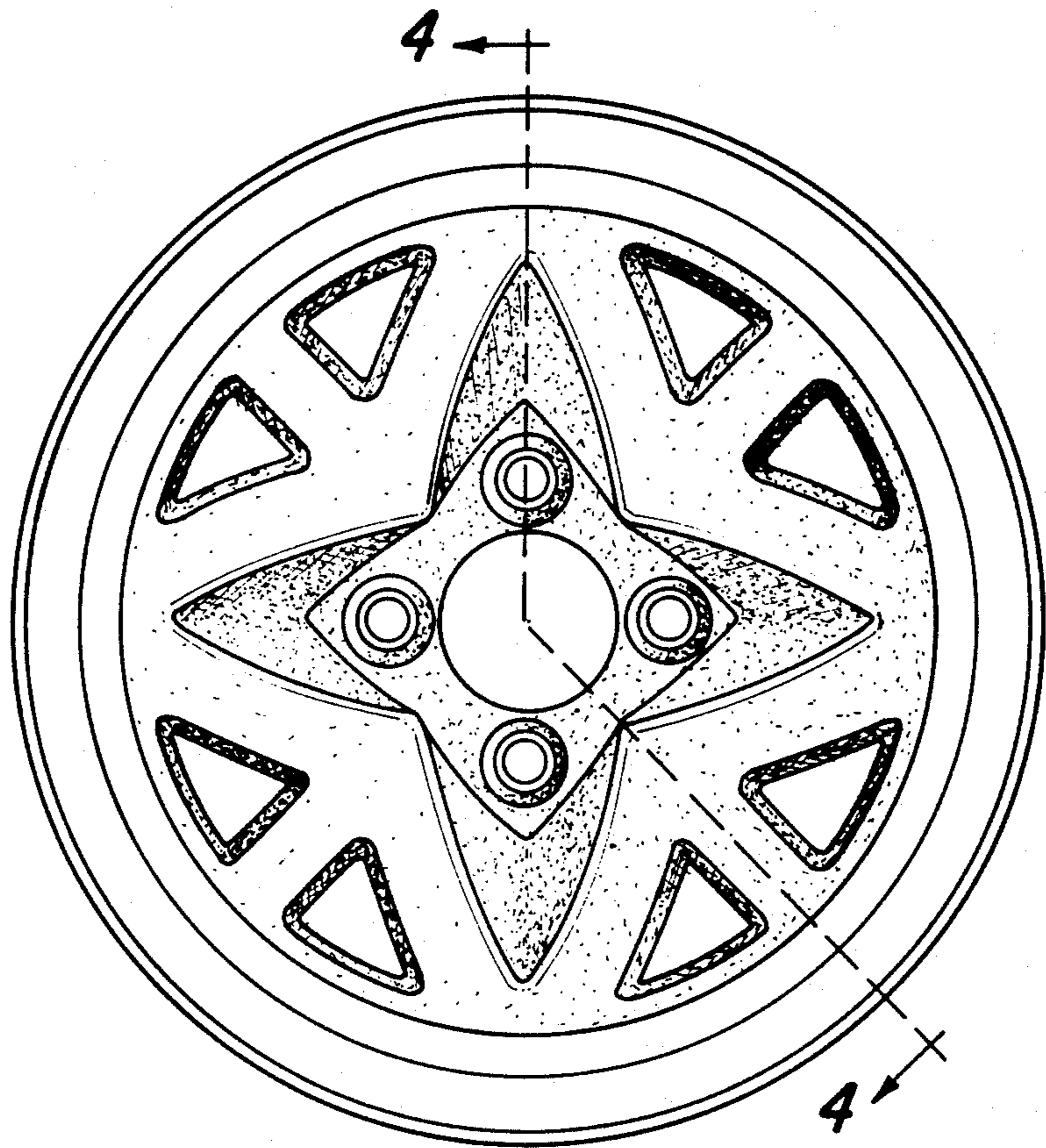


Fig-2

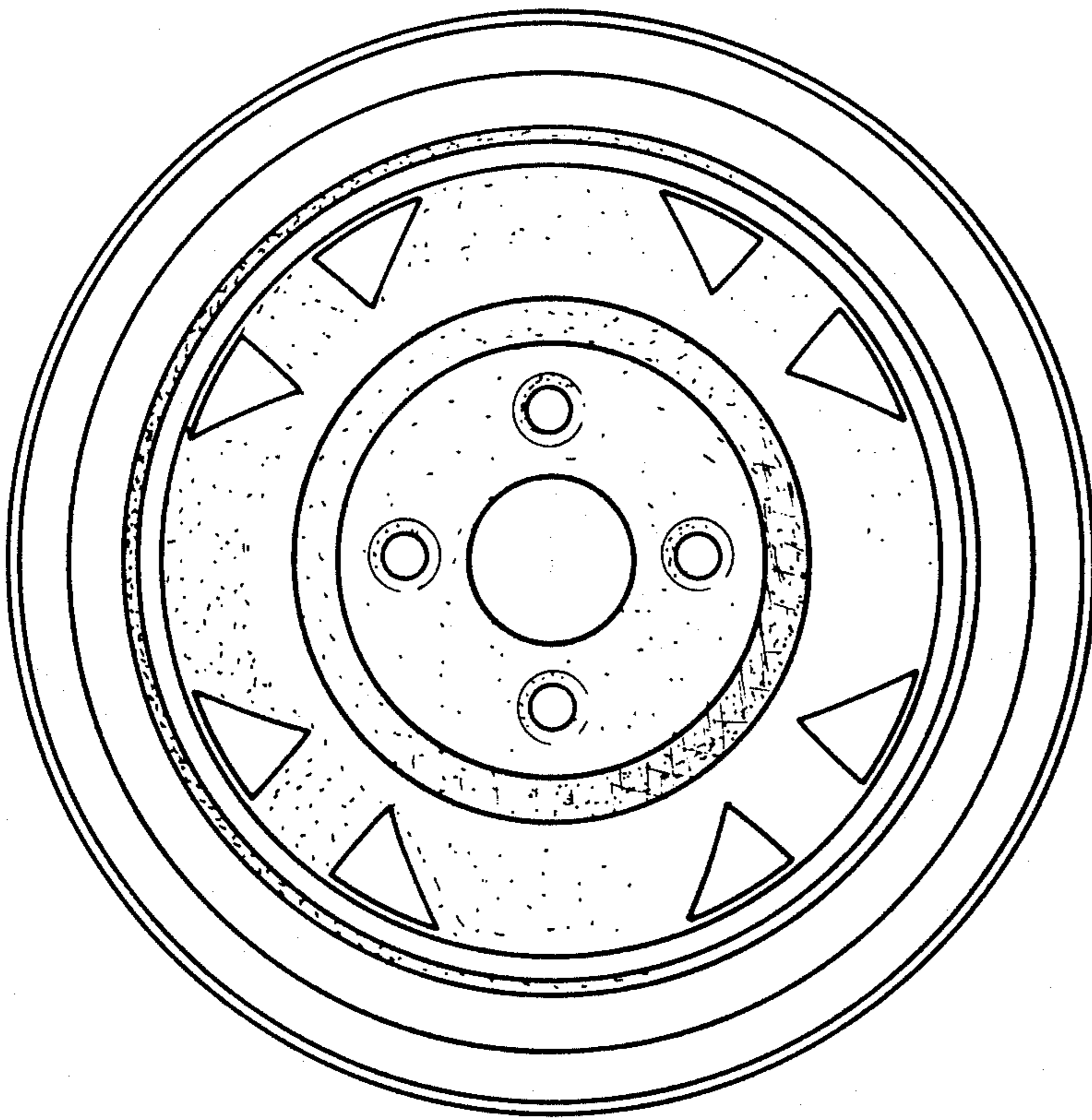


Fig-3

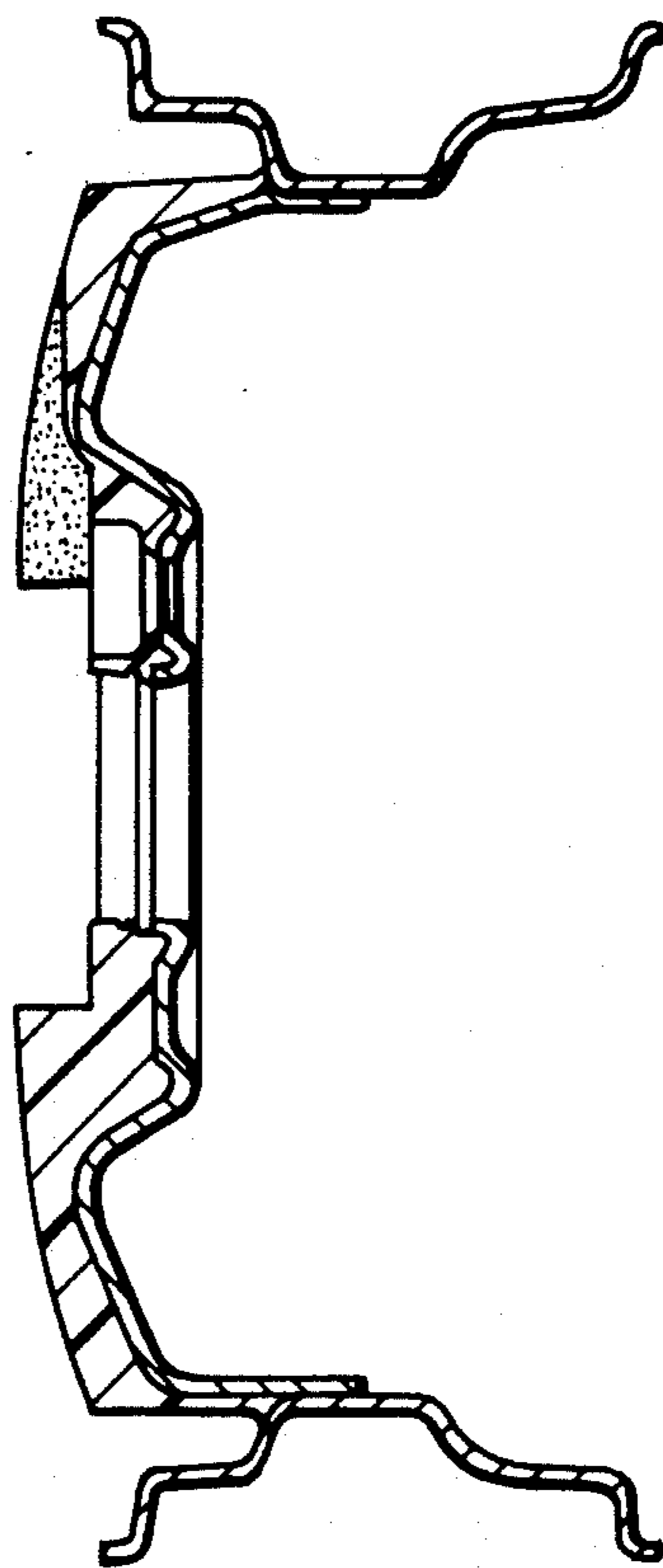


Fig-4