

[54] WHEEL

[75] Inventor: Russell O. Blanchard, Marshall, Mich.

[73] Assignee: Motor Wheel Corporation, Lansing, Mich.

[\*\*] Term: 14 Years

[21] Appl. No.: 840,306

[22] Filed: Oct. 7, 1977

[51] Int. Cl. .... D12-16

[52] U.S. Cl. .... D12/211

[58] Field of Search ..... D12/209, 211; 301/63 R, 301/63 DD, 63 DT, 63 PW, 64 R, 64 SH, 64 SD, 65, 66

[56] References Cited

U.S. PATENT DOCUMENTS

D. 238,421 1/1976 Wittine ..... D12/211  
D. 244,846 6/1977 Woodward ..... D12/211

Primary Examiner—James M. Gandy  
Attorney, Agent, or Firm—Arthur Raisch

[57] CLAIM

The ornamental design for a wheel, substantially as shown.

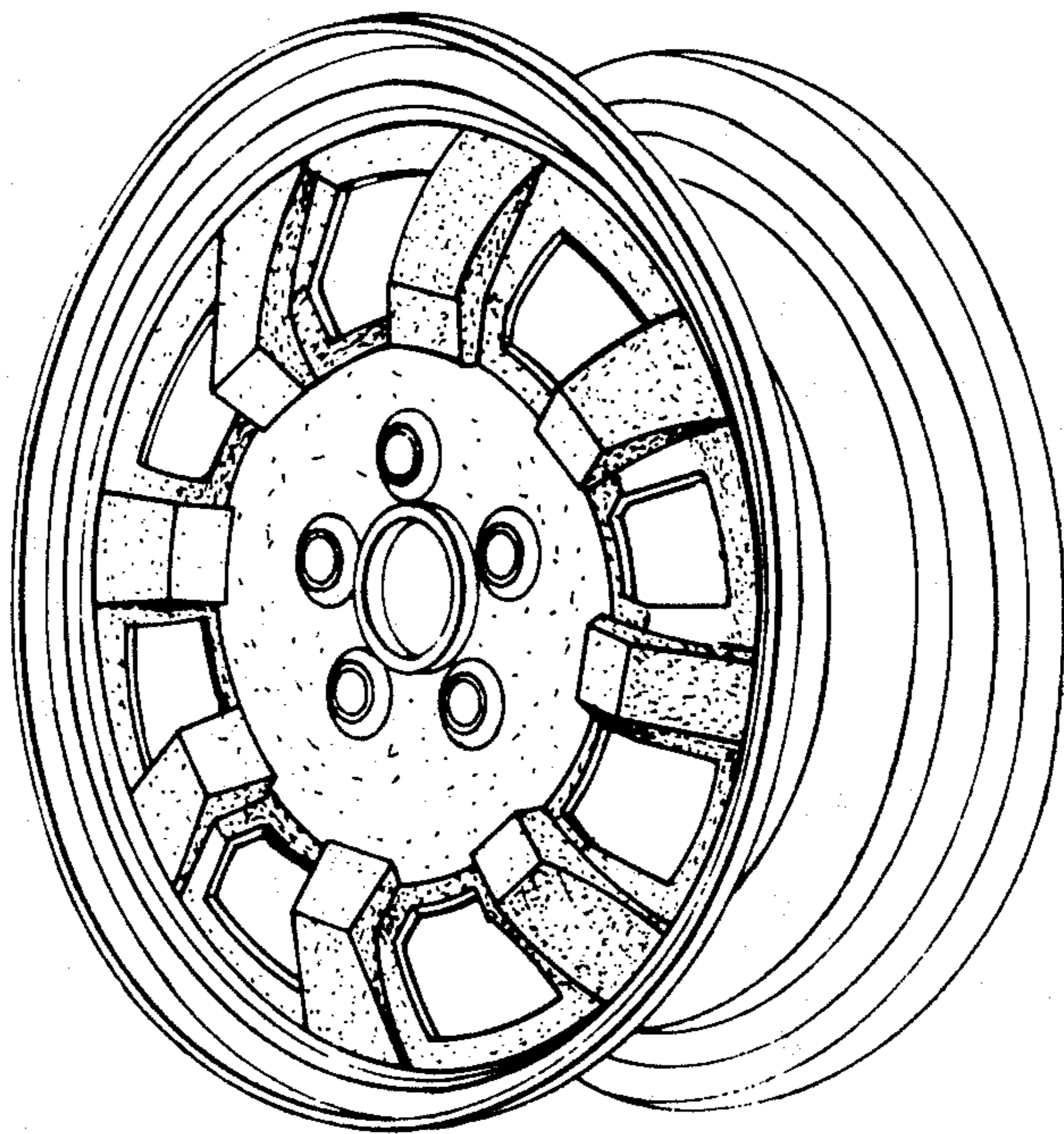
DESCRIPTION

FIG. 1 is a front perspective view of a wheel showing my new design.

FIG. 2 is a front elevational view thereof.

FIG. 3 is a rear elevational view thereof.

FIG. 4 is a sectional view thereof taken along line 4-4 in FIG. 2.



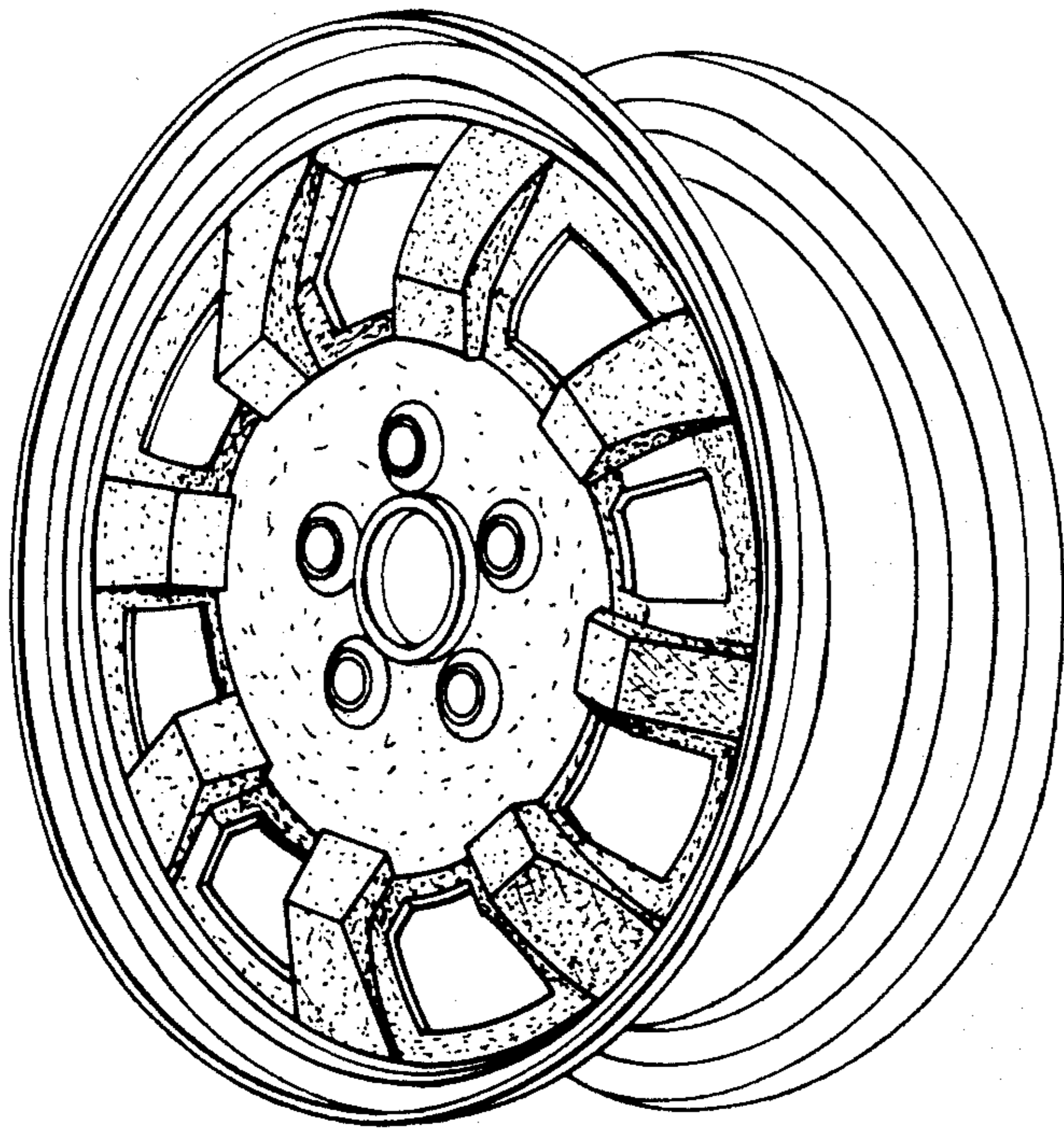


Fig-1

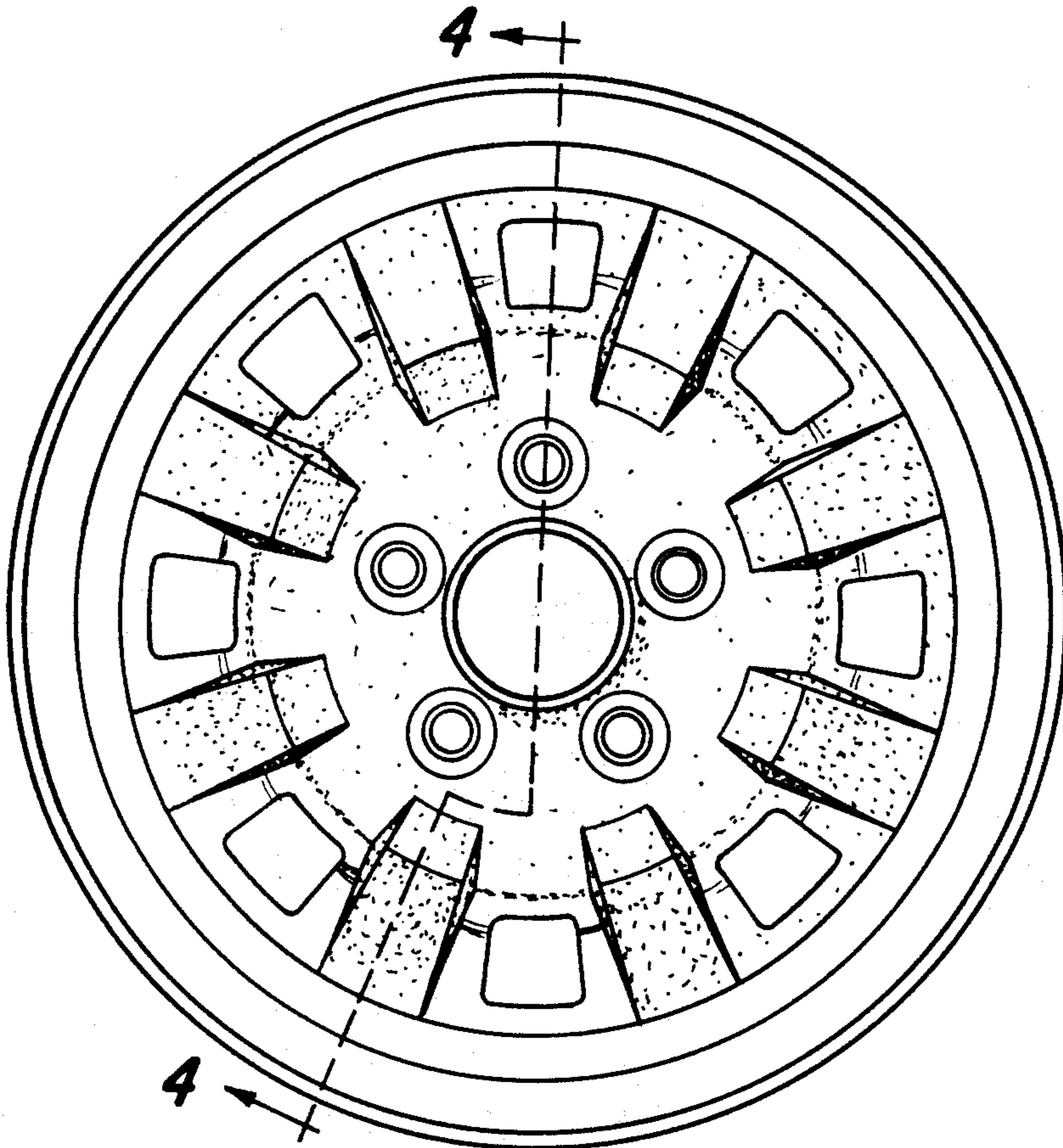


Fig-2

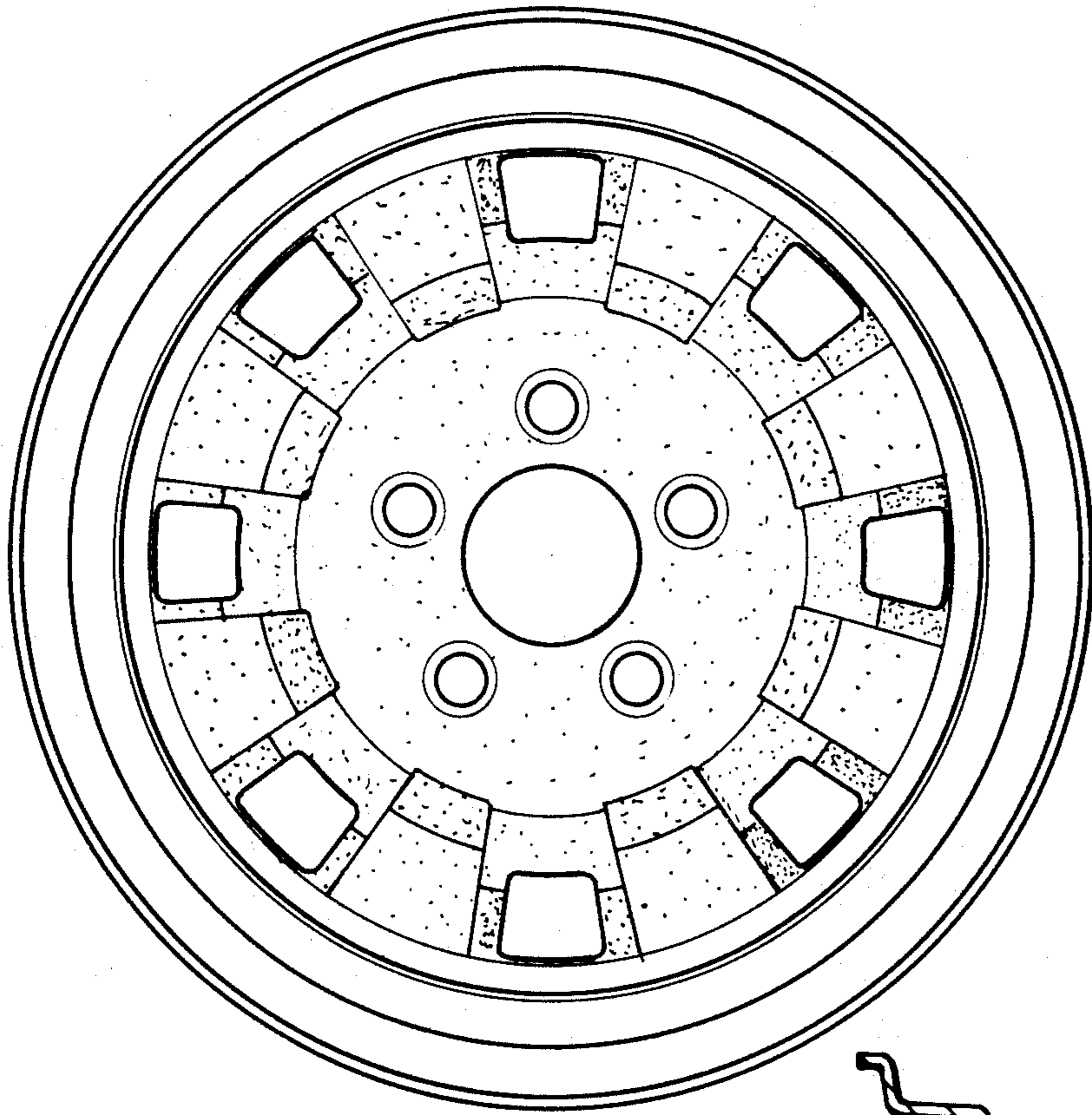


Fig-3

Fig-4

