

[54] CARTON BLANK

[75] Inventor: Robert A. Bliss, St. Paul, Minn.

[73] Assignee: Champion International Corporation, Stamford, Conn.

[\*\*] Term: 14 Years

[21] Appl. No.: 789,970

[22] Filed: Apr. 22, 1977

[51] Int. Cl. .... D9-03

[52] U.S. Cl. .... D9/245

[58] Field of Search ..... D9/176-179, D9/245; 229/69, 16 R, 28 BC, 41 B; 206/139, 175, 176, 193, 200

[56]

References Cited

U.S. PATENT DOCUMENTS

D. 244,584	6/1977	Booth .....	D9/245
3,638,848	2/1972	Heyworth .....	229/16 R
4,084,688	4/1978	Hughes .....	206/193 X

Primary Examiner—Robert C. Spangler  
Attorney, Agent, or Firm—Evelyn M. Sommer

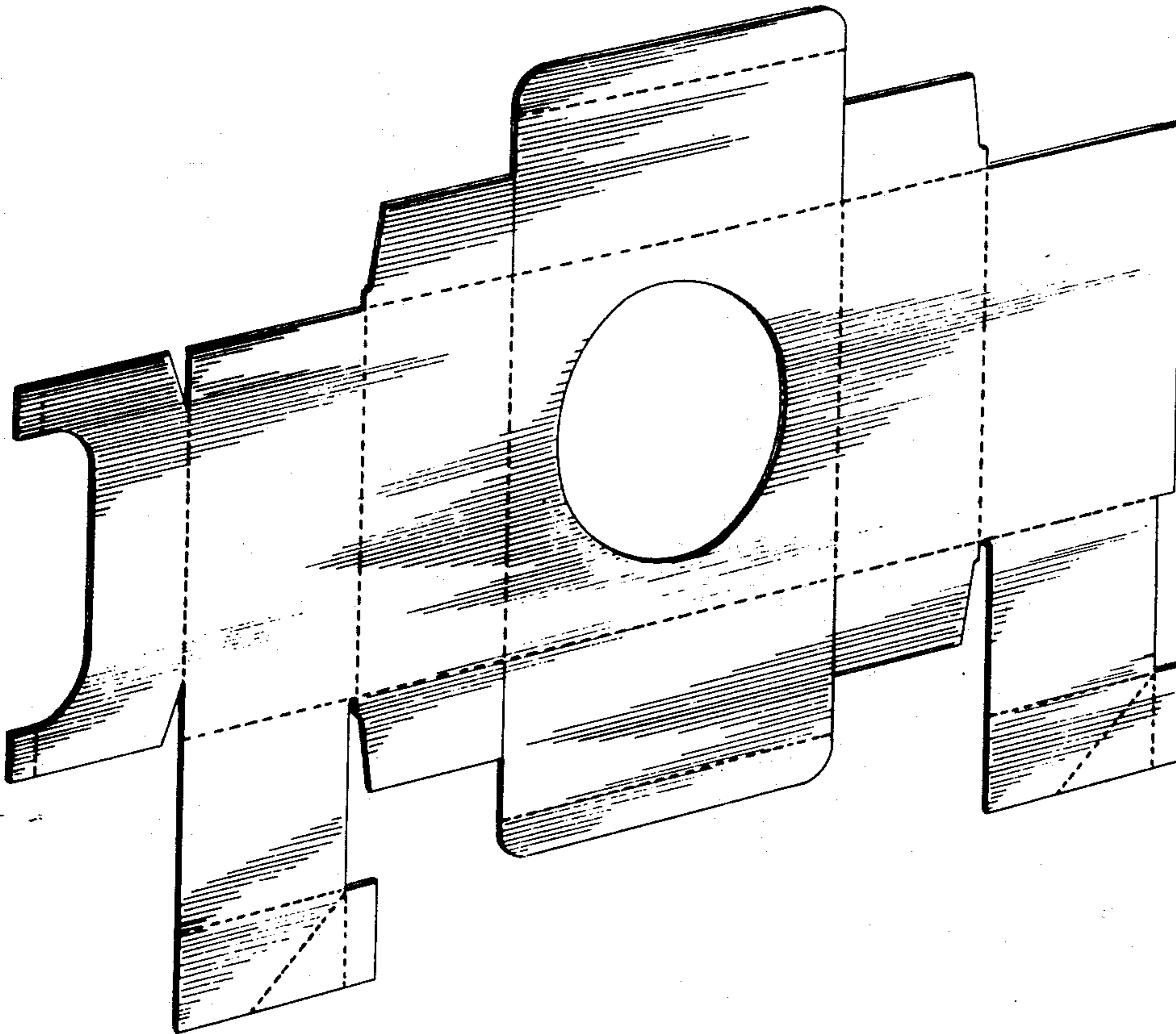
[57]

CLAIM

The ornamental design for a carton blank, as shown and described.

DESCRIPTION

The FIGURE is a perspective view of a carton blank showing my new design, the opposite side being a mirror image of the side shown. The dash lines represent fold lines.



U.S. Patent

Aug. 7, 1979

Des. 252,559

