

[54] TONER CONTAINER

[75] Inventors: Marie E. Walker, Columbus, Ohio;  
John E. Forward, Penfield, N.Y.;  
Donald A. Robertson, Fairport, N.Y.;  
Frank Hacknauer, Palmyra, N.Y.

[73] Assignee: Xerox Corporation, Stamford, Conn.

[\*\*] Term: 14 Years

[21] Appl. No.: 821,389

[22] Filed: Aug. 3, 1977

[51] Int. Cl. .... D9-01

[52] U.S. Cl. .... D9/216

[58] Field of Search ..... D9/207, 208, 216, 224;  
222/DIG. 1

[56] References Cited

U.S. PATENT DOCUMENTS

D. 236,694 9/1975 Avolio ..... D9/216  
D. 240,201 6/1976 Avolio ..... D9/216

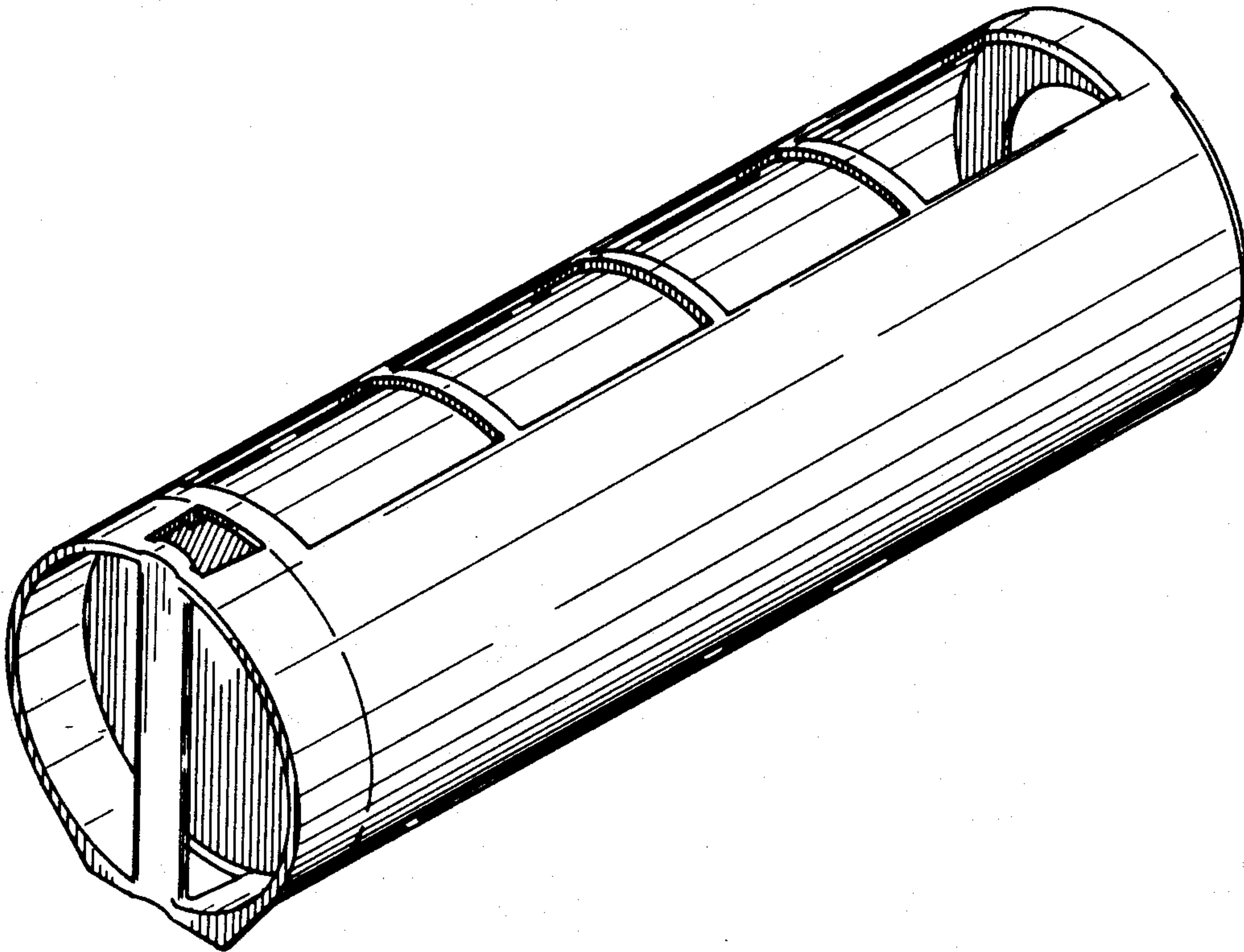
Primary Examiner—Alan P. Douglas  
Assistant Examiner—Catherine Kemper  
Attorney, Agent, or Firm—James J. Ralabate

[57] CLAIM

The ornamental design for a toner container, substantially as shown.

DESCRIPTION

FIG. 1 is a front perspective view of a toner container showing our new design;  
FIG. 2 is a side elevational view;  
FIG. 3 is a side elevation view showing the side opposite that shown in FIG. 2;  
FIG. 4 is a top plan view;  
FIG. 5 is a bottom plan view;  
FIG. 6 is a front elevational view; and  
FIG. 7 is a rear elevational view thereof.



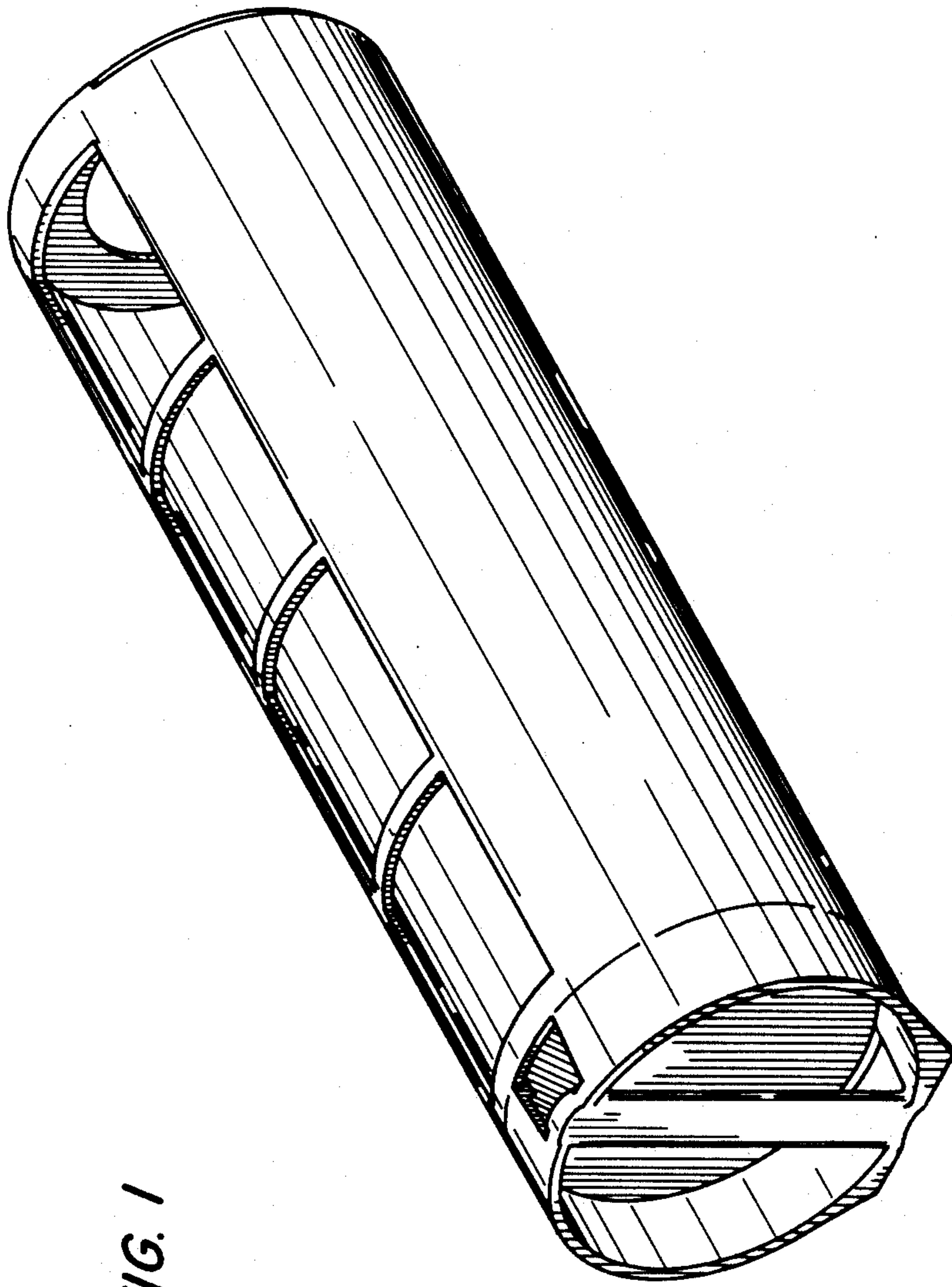


FIG. 1

FIG. 2

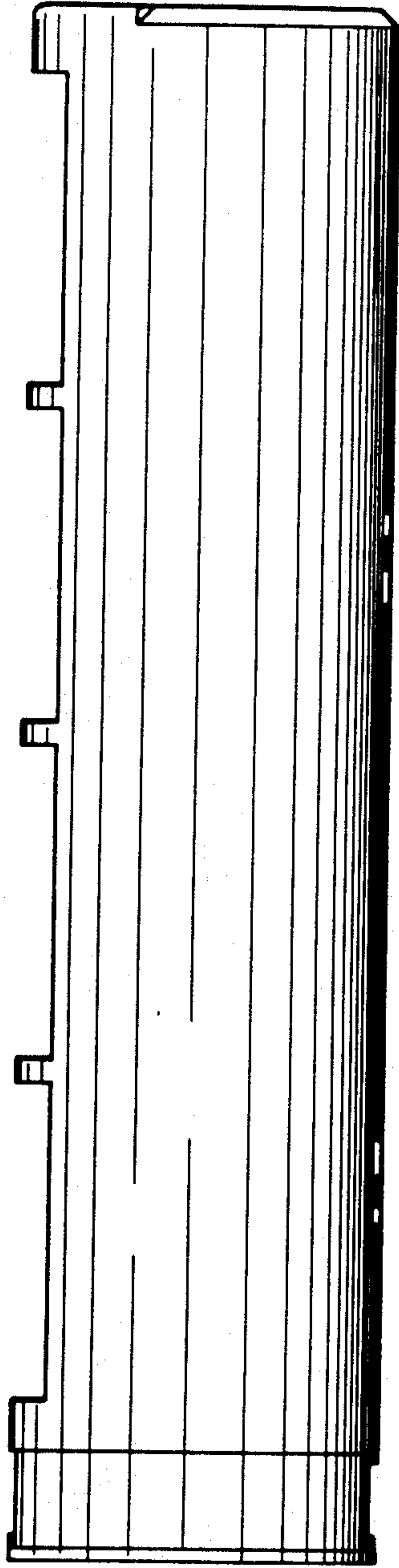
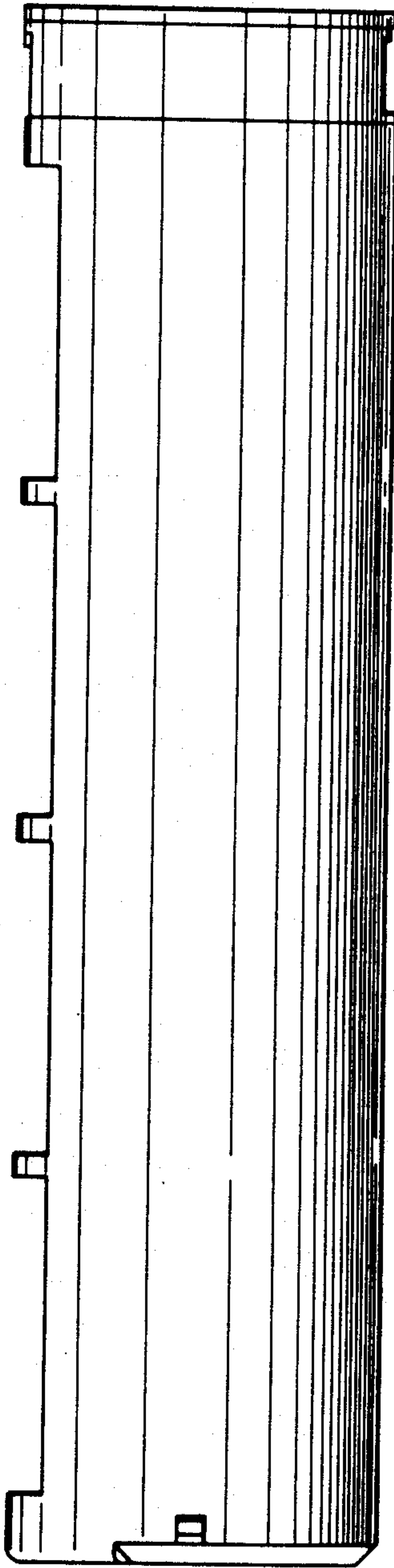


FIG. 3



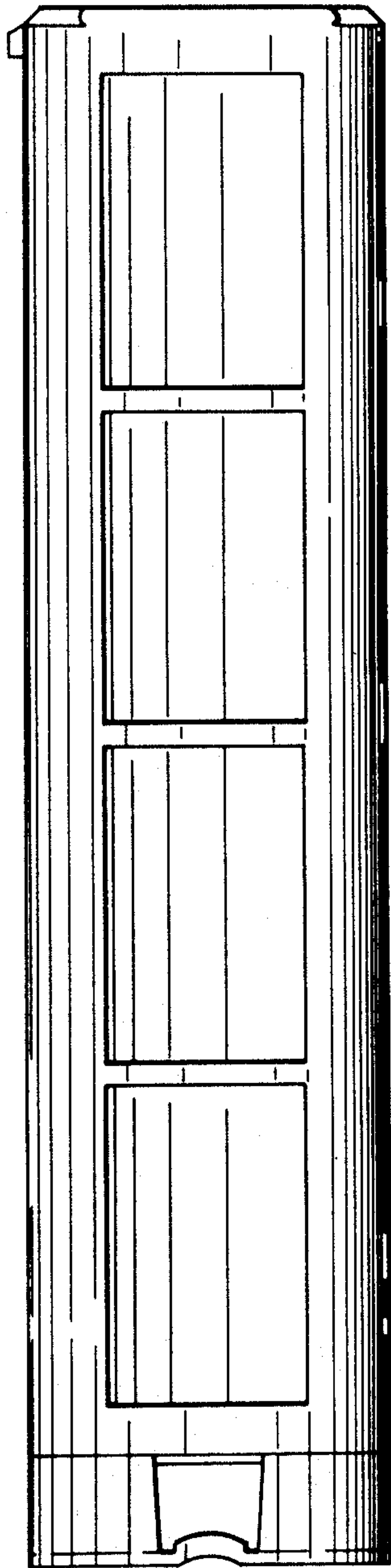


FIG. 4

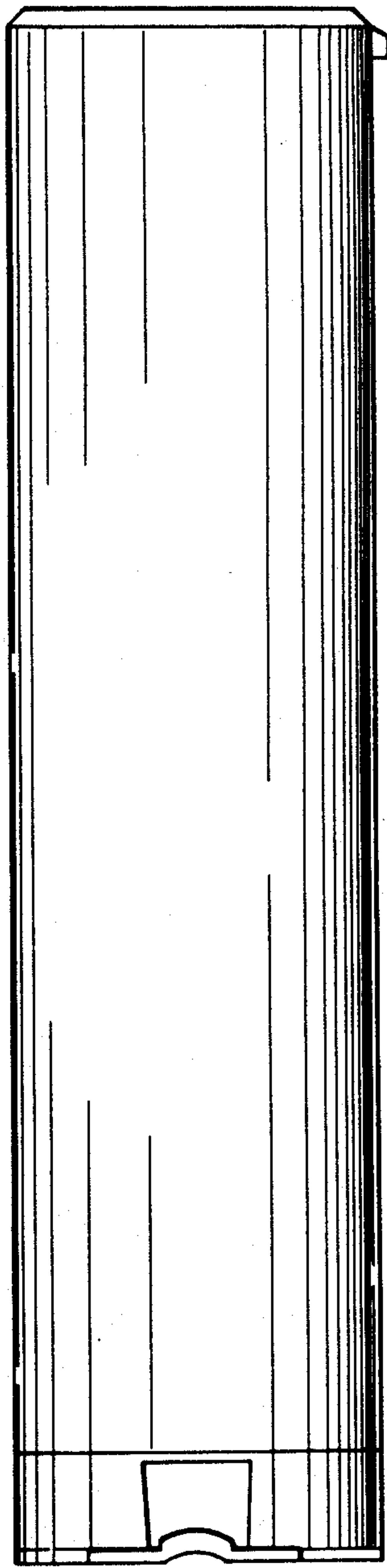
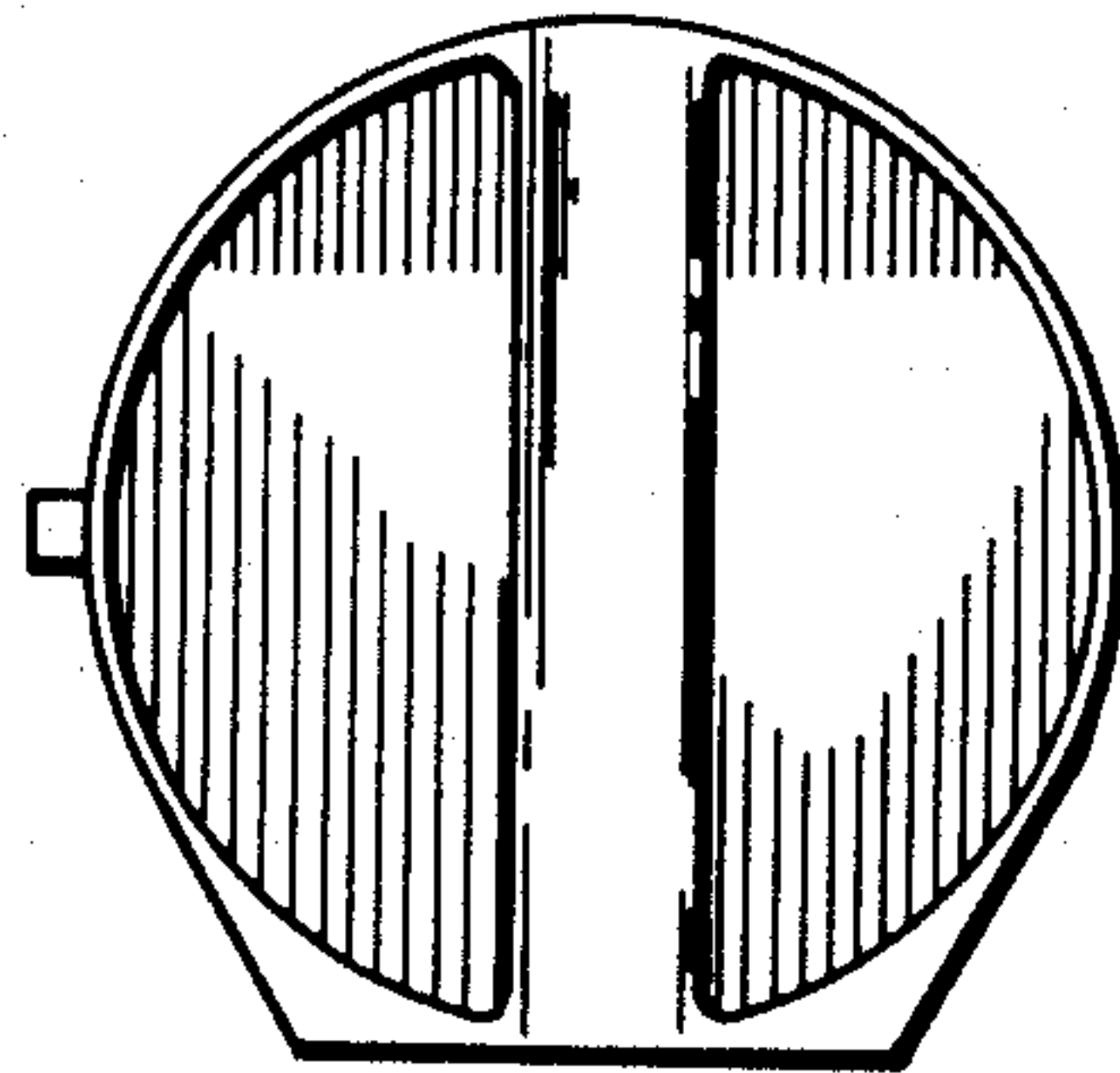


FIG. 5

*FIG. 6*



*FIG. 7*

