

[54] **TELESCOPIC TURNBUCKLE**

[75] **Inventor:** Kenneth D. Schreyer, Clarence, N.Y.

[73] **Assignee:** Columbus McKinnon Corporation,
Tonawanda, N.Y.

[**] **Term:** 14 Years

[21] **Appl. No.:** 875,781

[22] **Filed:** Feb. 7, 1978

[51] **Int. Cl.** D8-08

[52] **U.S. Cl.** D8/355

[58] **Field of Search** 114/218, 249, 250, 251,
114/253, 75, 93; 254/149; 248/500, 505, 119 R;
403/43, 167, 347, 29; D8/355, 356, 382, 383

[56]

References Cited

U.S. PATENT DOCUMENTS

4,048,938 9/1977 Patterson et al. 403/43 X
4,078,514 3/1978 Patterson et al. D8/355

Primary Examiner—A. Hugo Word
Attorney, Agent, or Firm—John B. Bean

[57]

CLAIM

The ornamental design for a telescopic turnbuckle, as shown.

DESCRIPTION

FIG. 1 is a perspective view of the turnbuckle of the present design invention;
FIG. 2 is a front elevation of the turnbuckle;
FIG. 3 is a back elevation of the turnbuckle;
FIG. 4 is a plan view of the turnbuckle;
FIG. 5 is a bottom view of the turnbuckle; and
FIGS. 6 and 7 are opposite end views of the turnbuckle shown in the FIGS. 1-5.

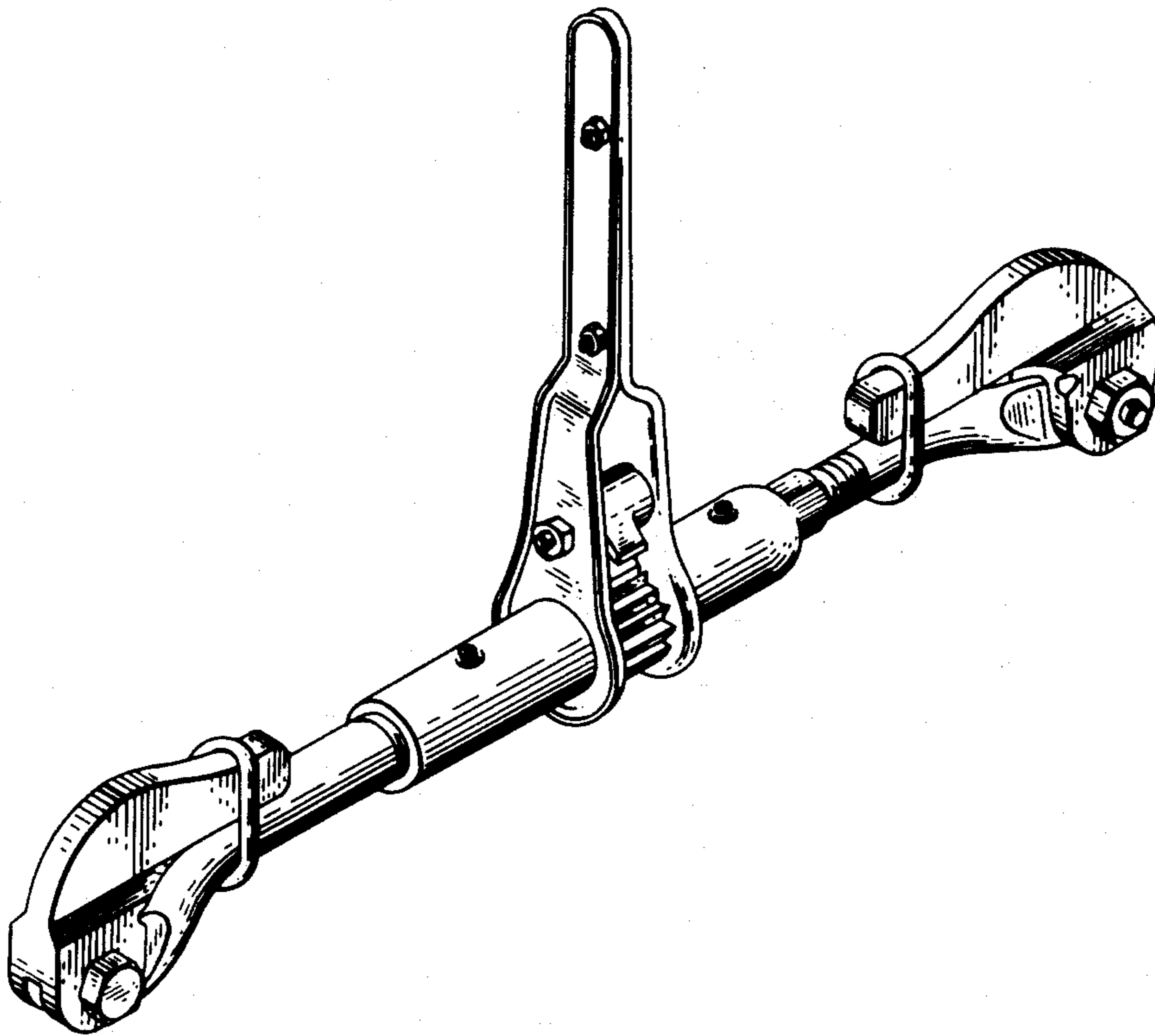


Fig. 1.

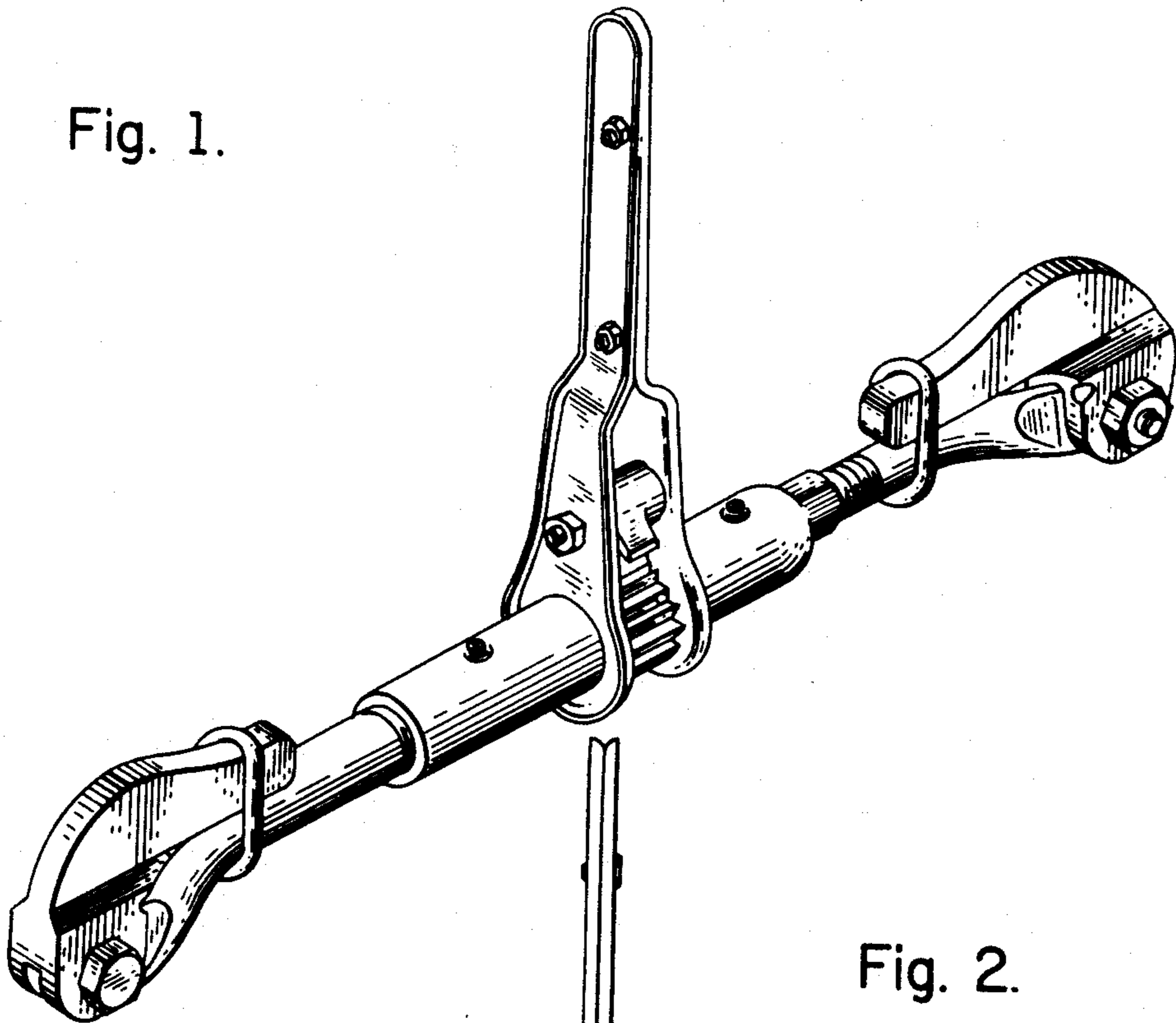


Fig. 2.

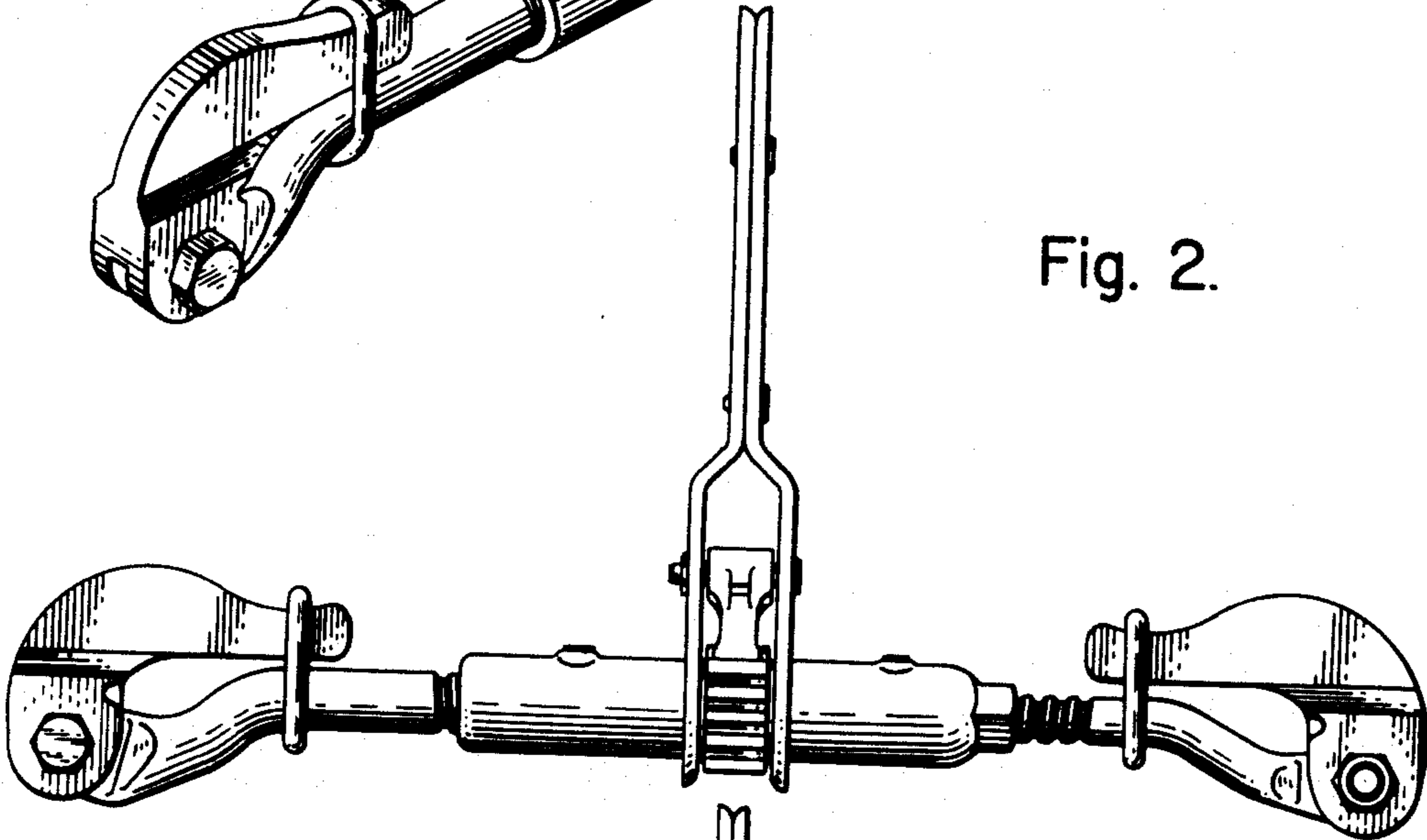


Fig. 3.

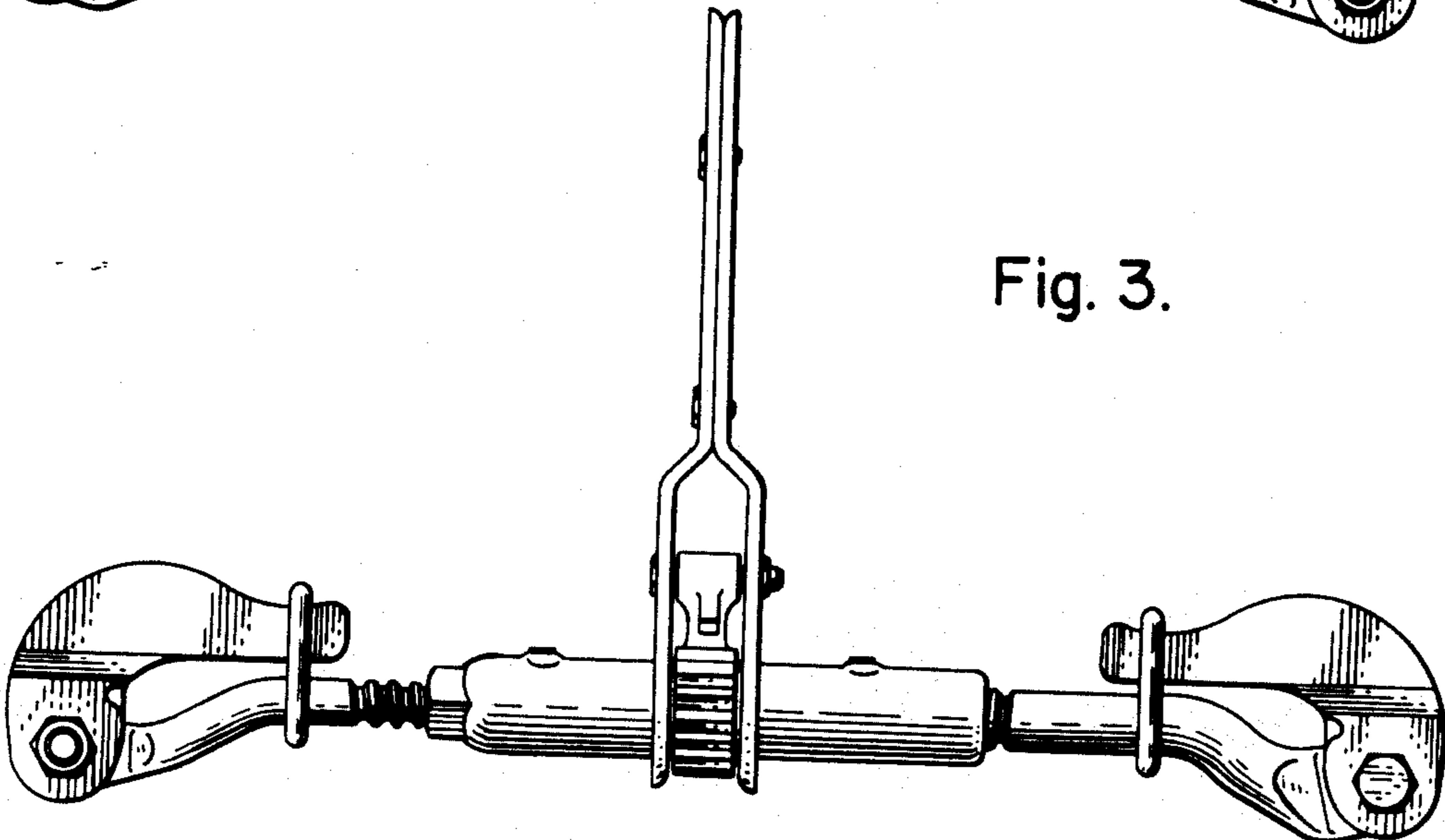


Fig. 4.

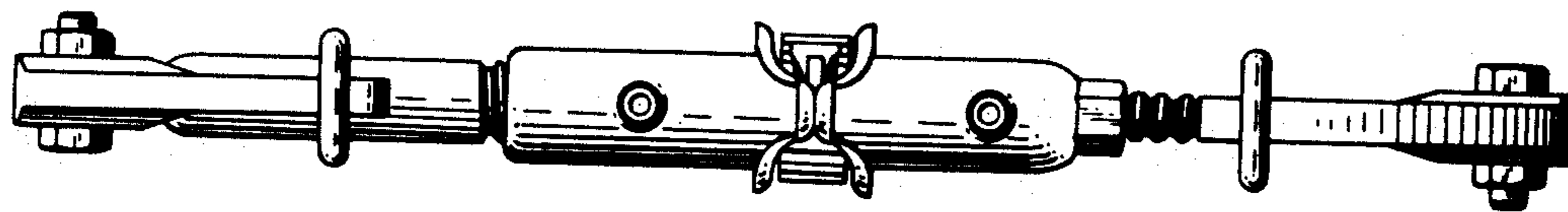


Fig. 5.

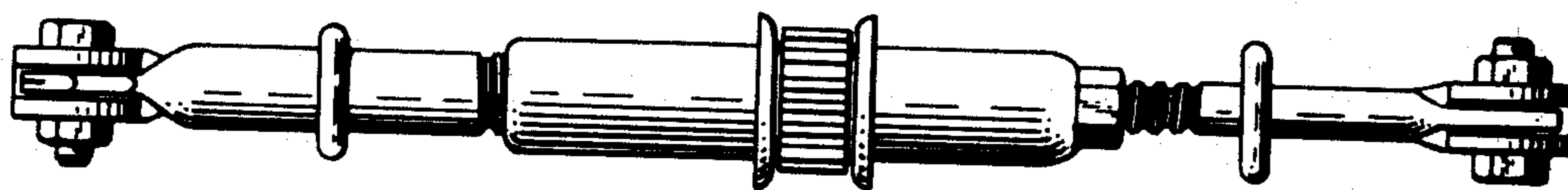


Fig. 6.

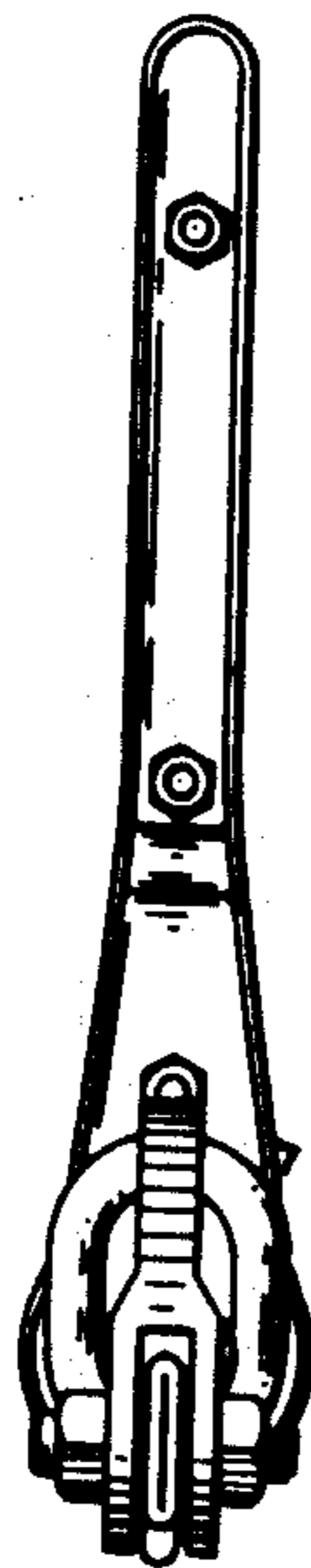


Fig. 7.

