

[54] WINE RACK

2,473,766 6/1949 Richey D9/184 X

[76] Inventor: **Rodger K. Johnson**, 4687 Browndeer La., Rolling Hills Estates, Calif. 90274

[**] Term: **14 Years**

[21] Appl. No.: **816,317**

[22] Filed: **Jul. 18, 1977**

[51] Int. Cl. **D6-04**

[52] U.S. Cl. **D6/190; D7/71**

[58] Field of Search **D7/71; D9/294, 184; D6/85, 186, 188, 189, 190**

[56] **References Cited**

U.S. PATENT DOCUMENTS

D. 236,411 8/1975 Horney D7/71
353,225 11/1886 Jenkins et al. D9/184 X

OTHER PUBLICATIONS

Industrial Packaging, 8-14-1961, Corrugated Fibre-board.

Better Homes & Gardens, Mar. 1973, p. 60, bottle rack lower left.

Primary Examiner—Bruce W. Dunkins

Attorney, Agent, or Firm—Warren L. Patton

[57] **CLAIM**

The design for a wine rack, substantially as shown and described.

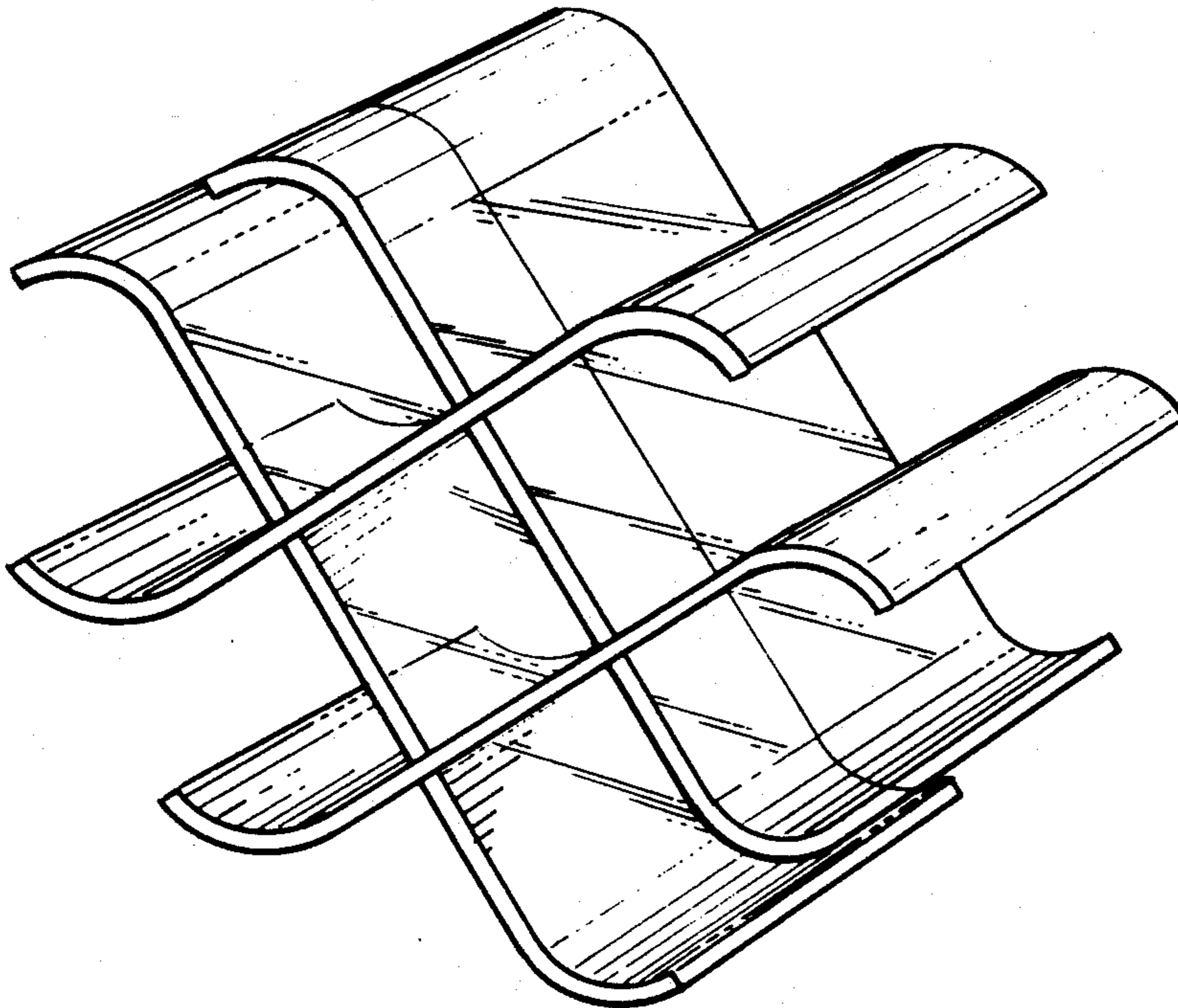
DESCRIPTION

FIG. 1 is a front perspective view of a wine rack showing my new design;

FIG. 2 is a front elevational view thereof;

FIG. 3 is an end elevational view of the same; and

FIG. 4 is a plan view thereof.



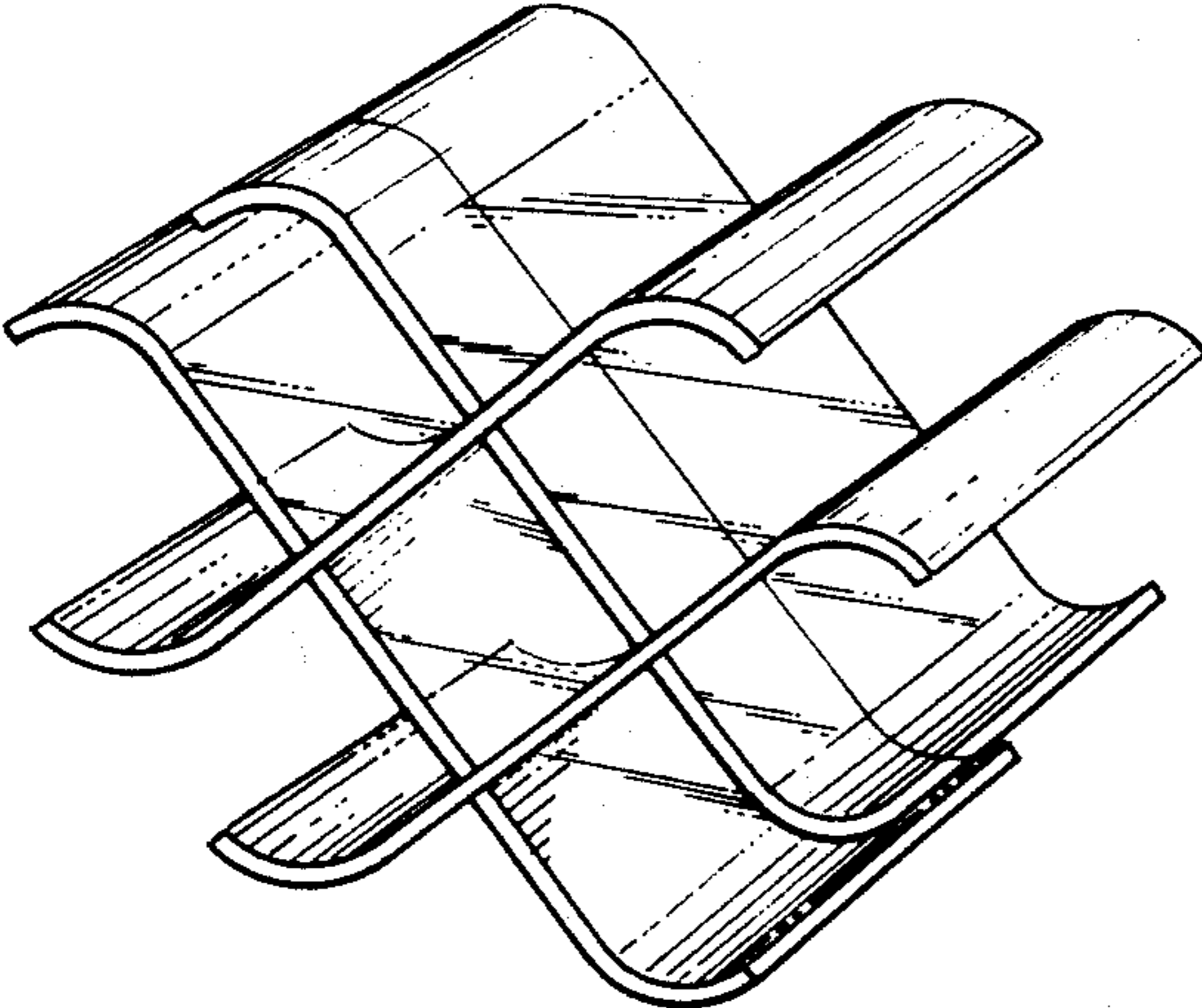


Fig. 1

Fig. 2

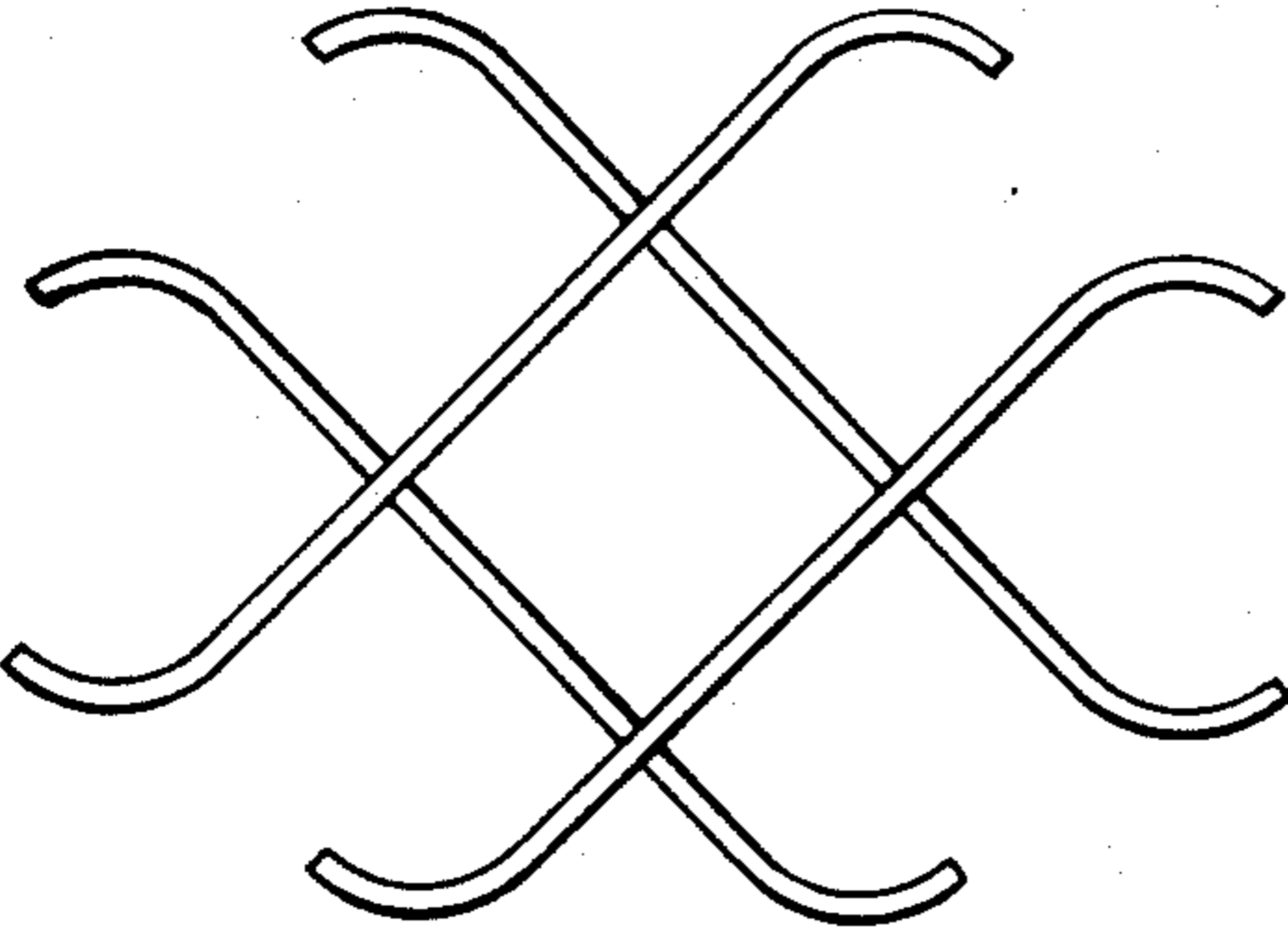


Fig. 3

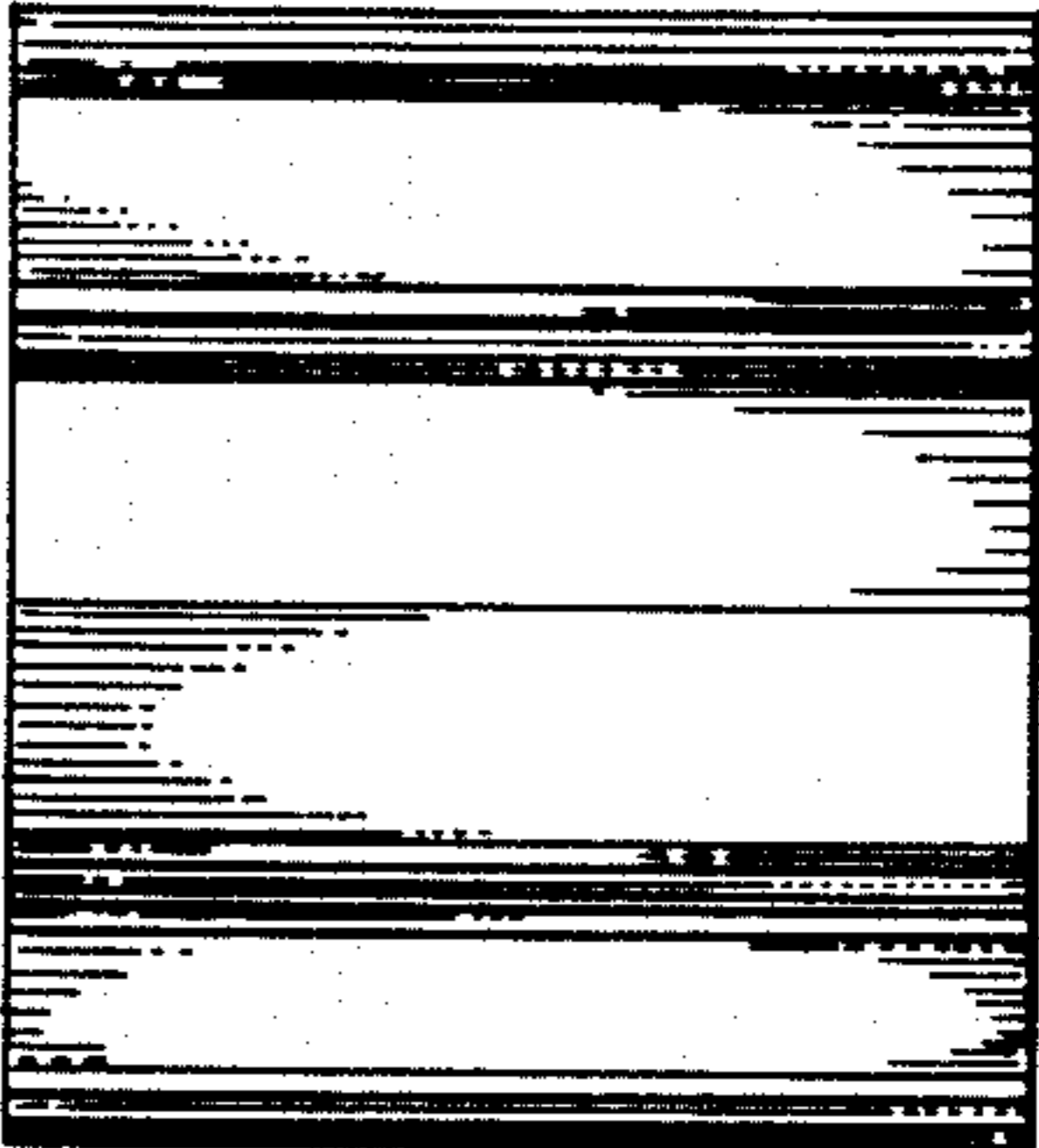


Fig. 4

