

[54] TABLE

[75] Inventor: Nicholas A. Ungaro, Louisville, Ky.

[73] Assignee: Peters-Revington Corporation, Delphi, Ind.

[\*\*] Term: 14 Years

[21] Appl. No.: 823,813

[22] Filed: Aug. 11, 1977

[51] Int. Cl. .... D6-03

[52] U.S. Cl. .... D6/153; D6/179

[58] Field of Search ..... D6/145, 146, 147, 148, D6/149, 153, 154, 158, 159, 160, 164, 165, 166, 167, 177, 178, 179

[56]

References Cited

PUBLICATIONS

Sturbridge Yankee Workshop cat. for 1972-1973, p. 44, item 13, stool.

Yield House catalog, p. 10, table lower left.

Primary Examiner—Bruce W. Dunkins

Attorney, Agent, or Firm—Joseph P. Flanagan

[57]

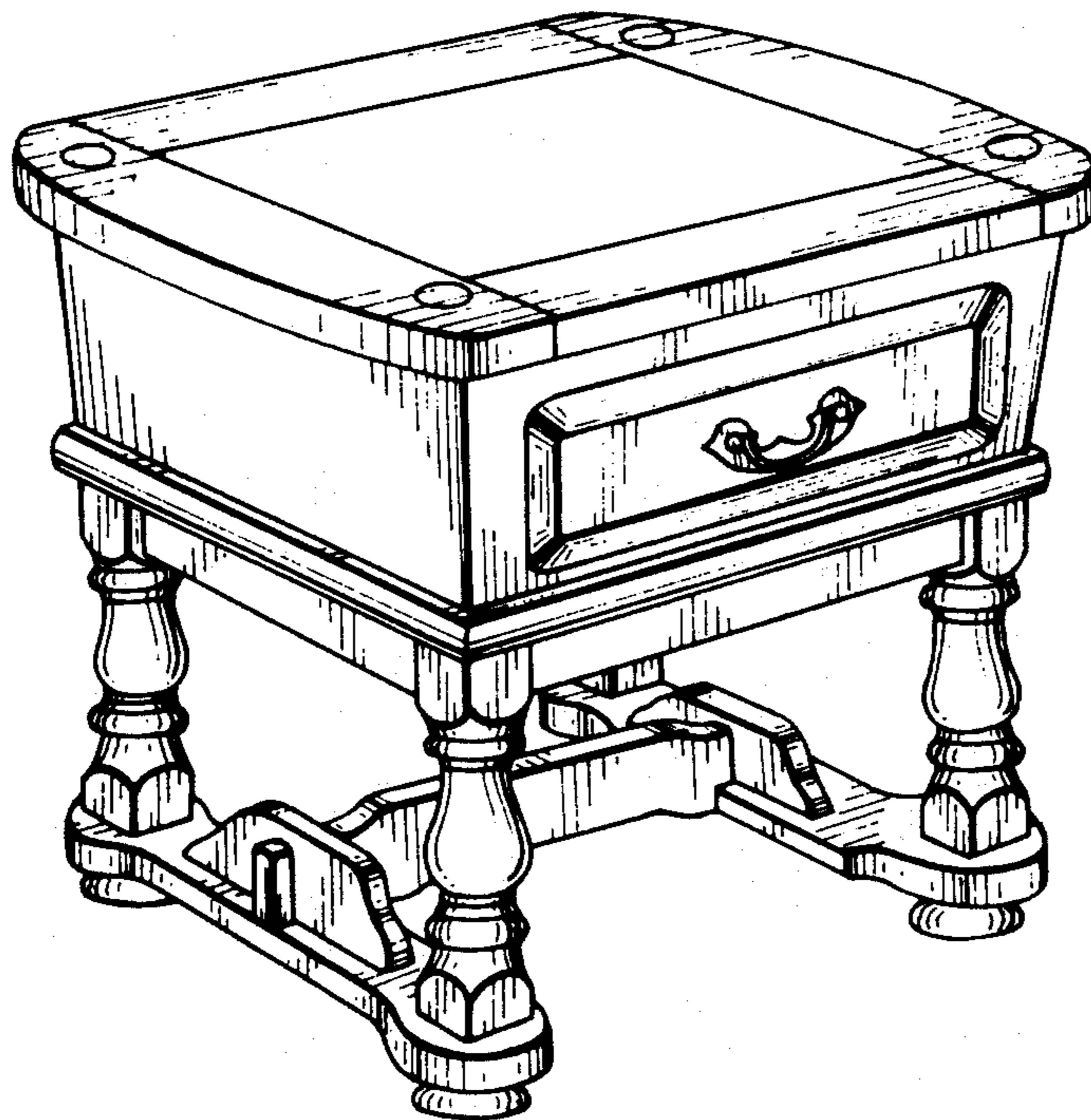
CLAIM

The ornamental design for a table, as shown and described.

DESCRIPTION

The FIGURE is a perspective view of a table illustrating my new design.

The side of the table not shown is a mirror image of the side shown while the rear is conventional in appearance.



U.S. Patent

Aug. 7, 1979

Des. 252,547

