

[54] COMBINED DESK, LOCKER AND BUNK BED UNIT

[75] Inventor: Charles M. Lewis, Blue Bell, Pa.

[73] Assignee: Procurement Management Services, Inc., Bala Cynwyd, Pa.

[**] Term: 7 Years

[21] Appl. No.: 815,979

[22] Filed: Jul. 15, 1977

[51] Int. Cl. D6-05

[52] U.S. Cl. D6/4; D6/80; D6/162; D6/165; D6/168

[58] Field of Search D6/79, 80, 1, 4, 158-170, D6/181, 186, 189, 190; 5/2 B, 2 R, 9 R, 9 B; 312/194, 196, 198, 237

[56] References Cited

U.S. PATENT DOCUMENTS

D. 186,448	10/1959	Powell	D6/168
D. 211,852	8/1968	La Rocca et al.	D6/80
D. 227,723	7/1973	Mendlin	D6/80
D. 227,725	7/1973	Mendlin	D6/80
D. 228,990	11/1973	Villanova	D6/80
2,501,309	3/1950	Braver	D6/80 X

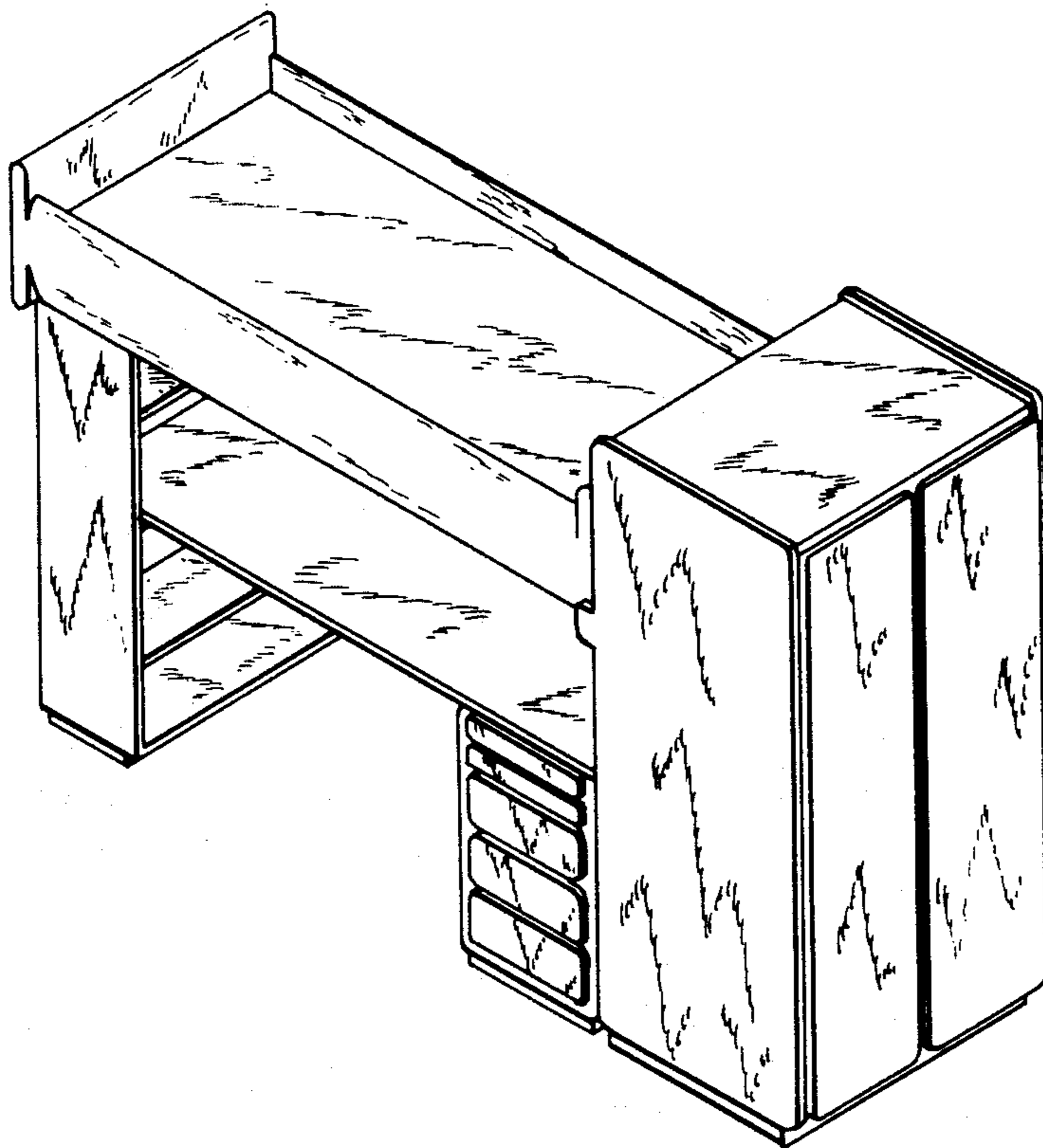
Primary Examiner—Bruce W. Dunkins
Attorney, Agent, or Firm—A. D. Caesar

[57] CLAIM

The ornamental design for a combined desk, locker and bunk bed unit, substantially as shown.

DESCRIPTION

FIG. 1 is a perspective view of a combined desk, locker and bunk bed unit showing my new design;
FIG. 2 is a front elevational view thereof;
FIG. 3 is a rear elevational view thereof;
FIG. 4 is a top plan view thereof;
FIG. 5 is a bottom plan view thereof;
FIG. 6 is a left side elevational view thereof; and
FIG. 7 is a right side elevational view thereof.



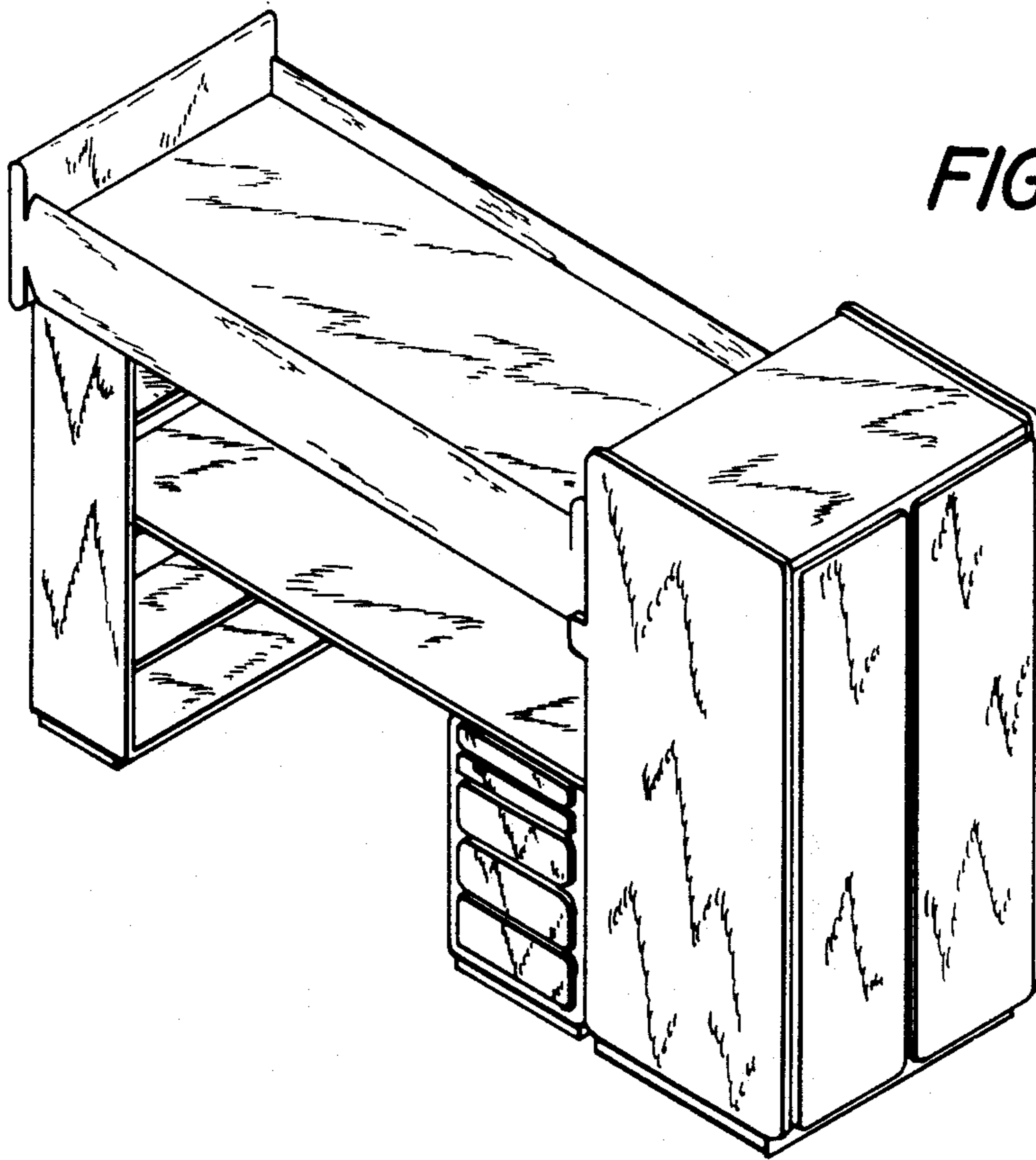


FIG. 1

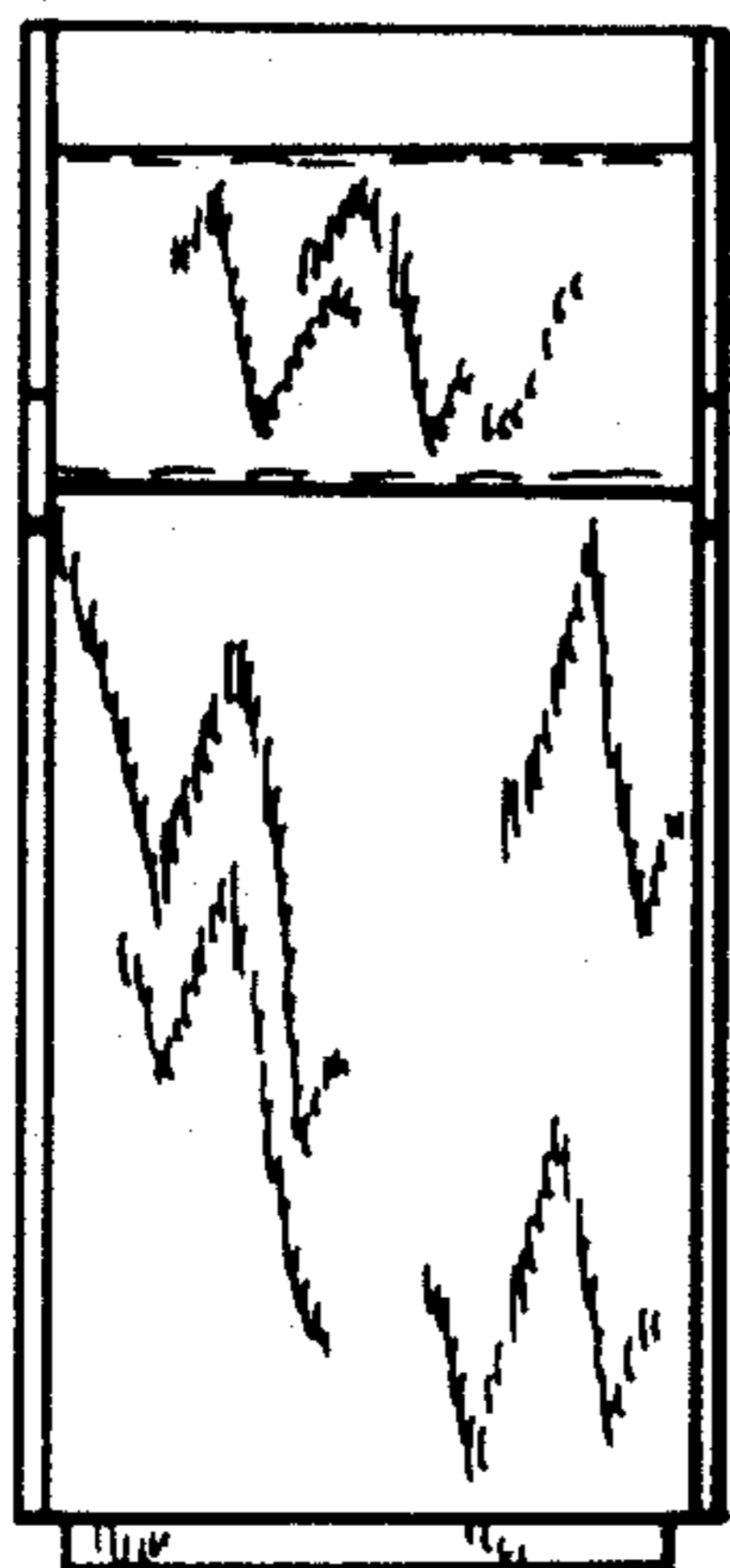


FIG. 6

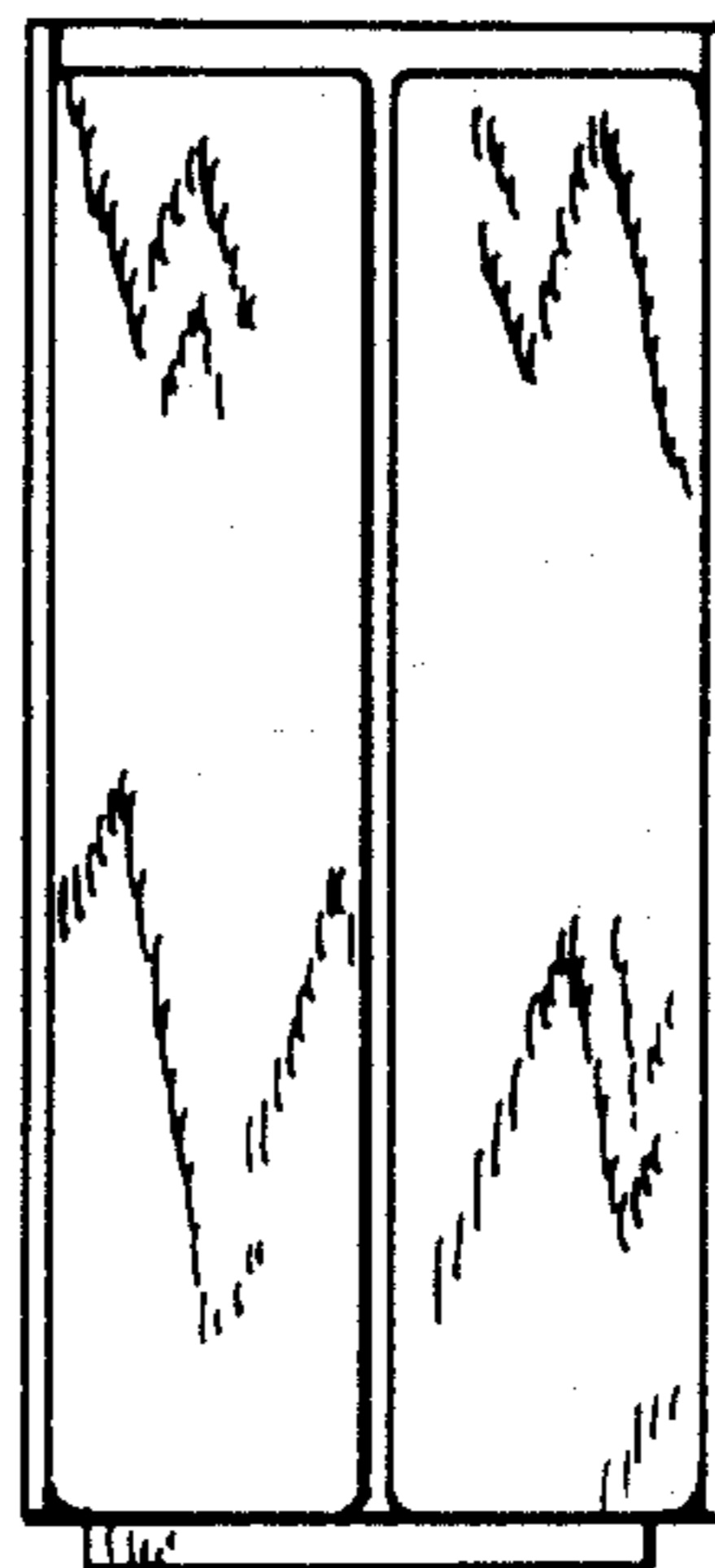


FIG. 7

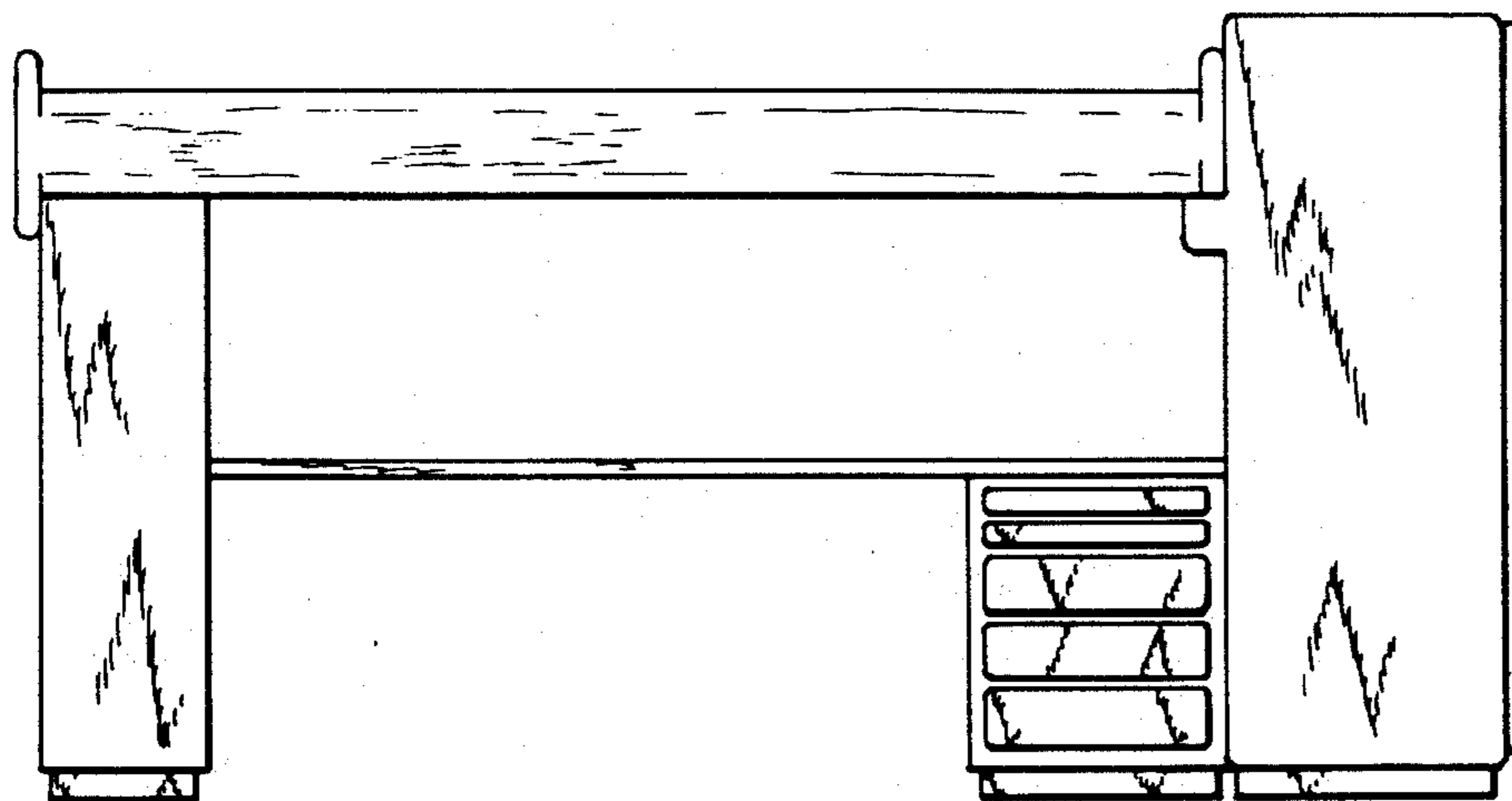


FIG. 2

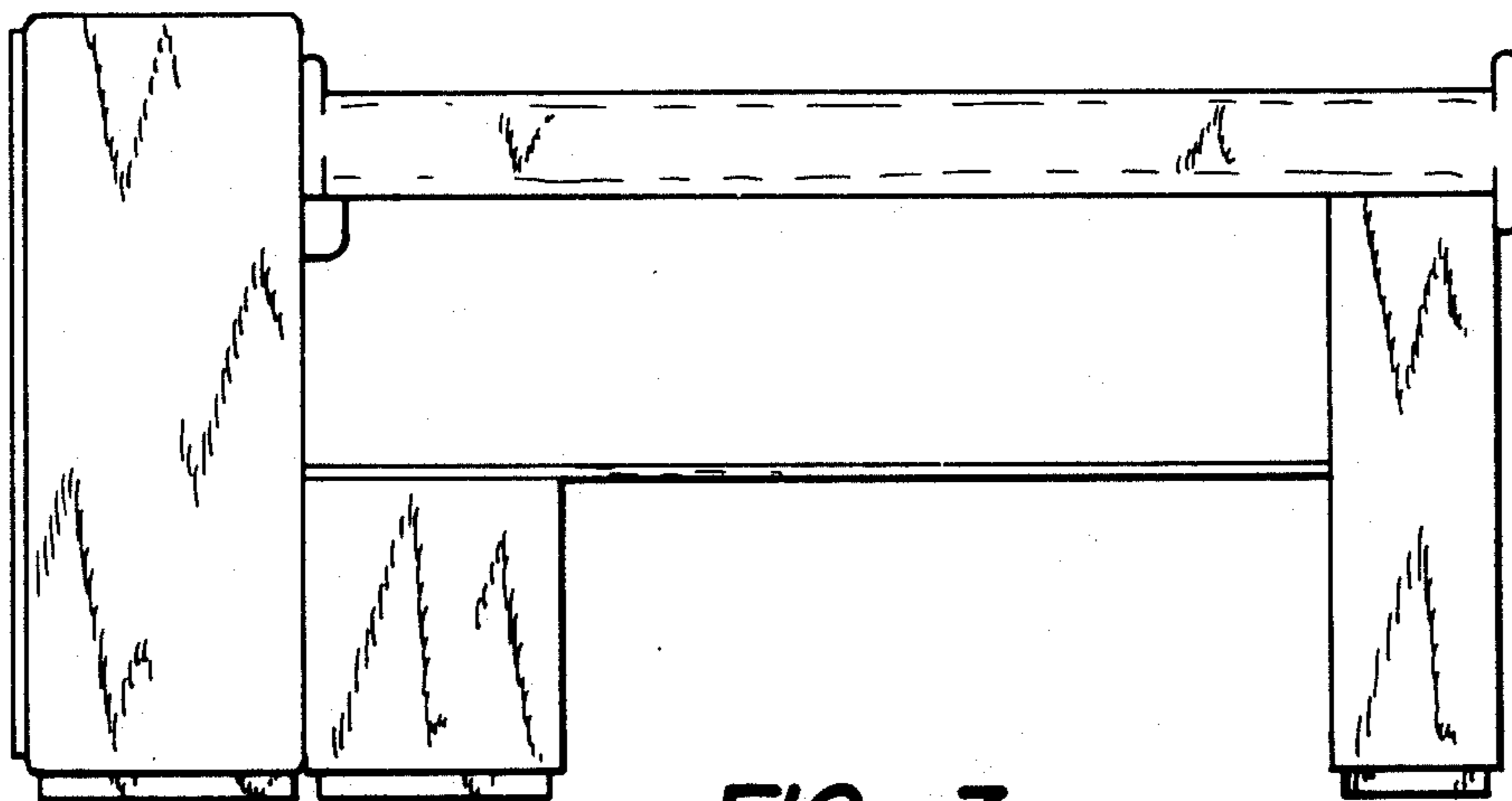


FIG. 3

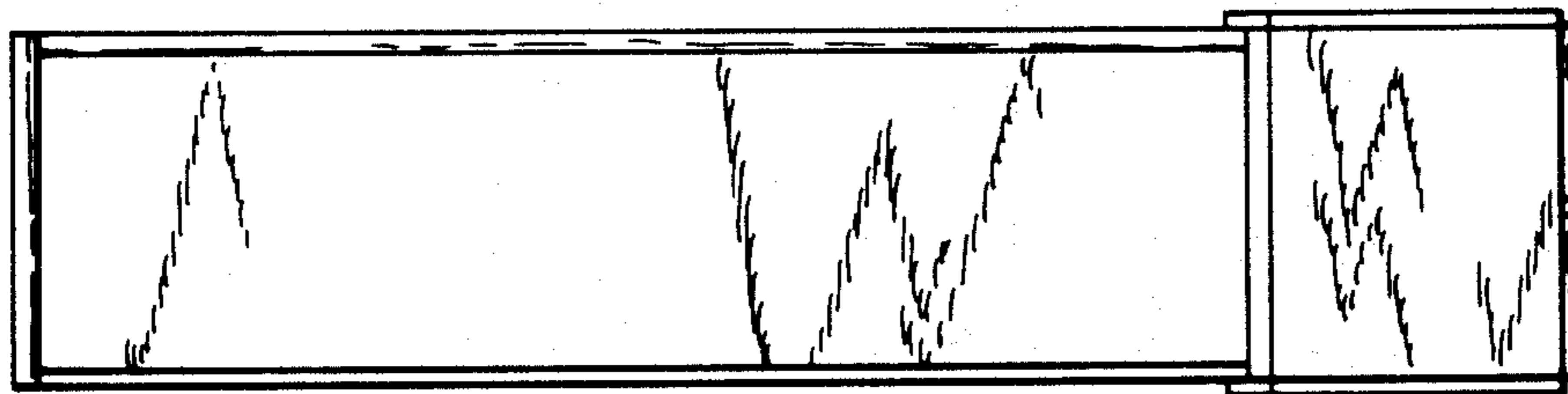


FIG. 4

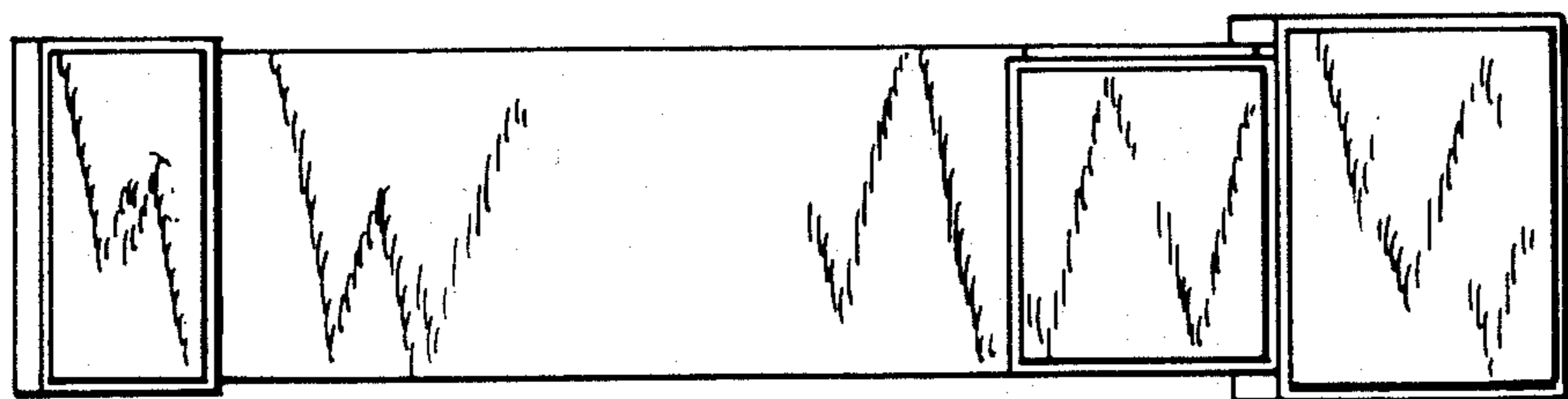


FIG. 5