

[54] **AUTOMOTIVE CONSOLE ICE CHEST AND COOLER**

D. 240,869 8/1976 Marr ..... D87/1 R

[75] Inventor: **Cornelius J. Murphy**, South Bend, Ind.

**OTHER PUBLICATIONS**

J. C. Whitney catalog No. 334, ©1975, custom console, second box up from bottom left side of page.

[73] Assignee: **Riblet Products Corp.**, Elkhart, Ind.

*Primary Examiner*—James M. Gandy  
*Attorney, Agent, or Firm*—James D. Hall

[\*\*] Term: **14 Years**

[21] Appl. No.: **855,474**

[57] **CLAIM**

[22] Filed: **Nov. 28, 1977**

The ornamental design for an automotive console ice chest and cooler, as shown and described.

[51] Int. Cl. .... **D12-16**

**DESCRIPTION**

[52] U.S. Cl. .... **D3/40; D12/155; D7/77**

FIG. 1 is a perspective view of the automotive console ice chest and cooler showing my new design;

[58] Field of Search ..... **D12/155; D87/1 R; D7/77; 62/457, 371; 224/29 G, 42.42 R, 42.42 A; 296/37.1, 37.8**

FIG. 2 is an enlarged side elevational view thereof;  
FIG. 3 is an enlarged front end elevational view thereof;

[56] **References Cited**

**U.S. PATENT DOCUMENTS**

D. 207,902 6/1967 Bray ..... D87/1 R  
D. 235,082 5/1975 Weaver ..... D12/155

FIG. 4 is an enlarged rear end elevational view thereof; and

FIG. 5 is an enlarged top plan view thereof.

The bottom of the automotive console ice chest and cooler is flat and unornamented.

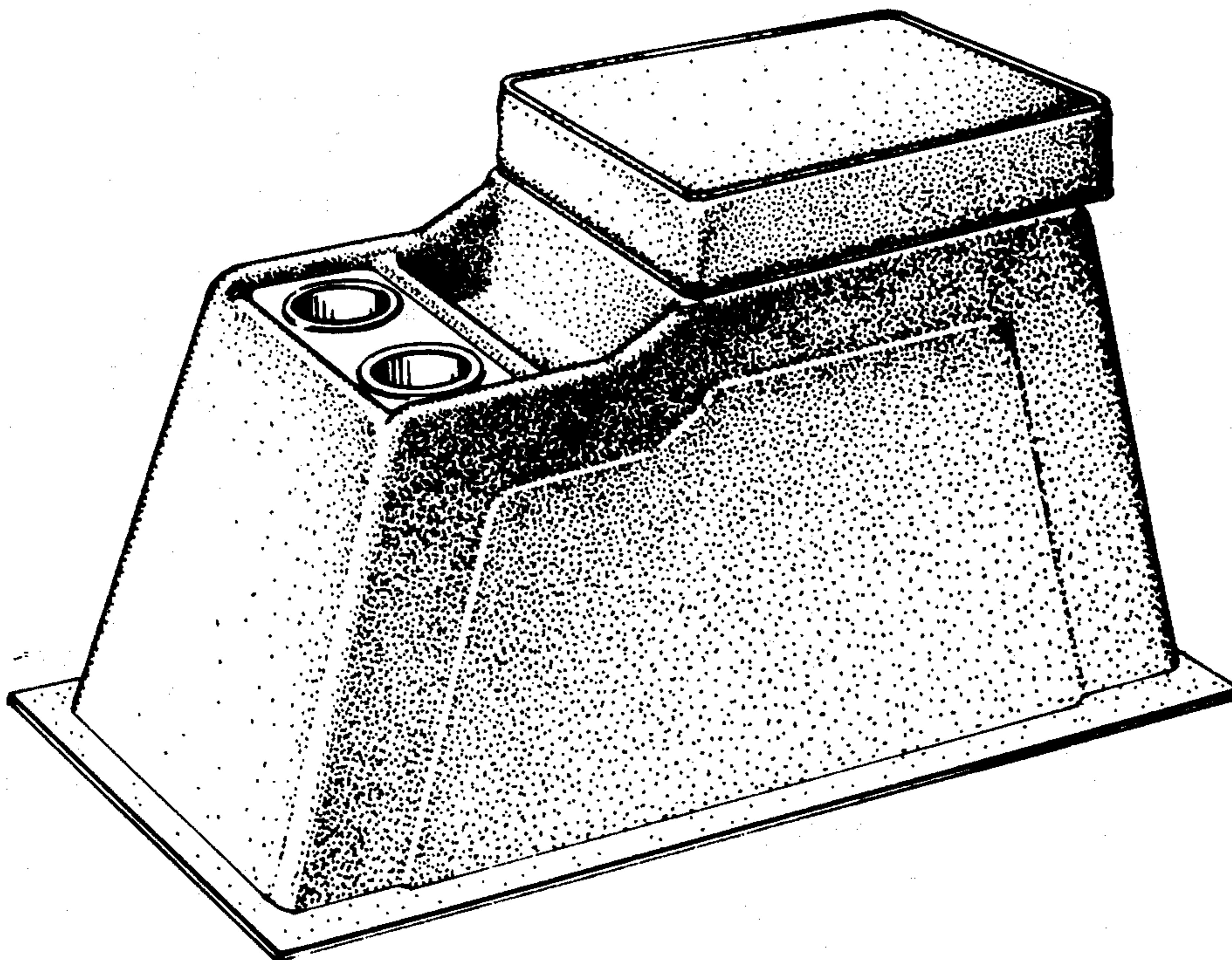


Fig. 1

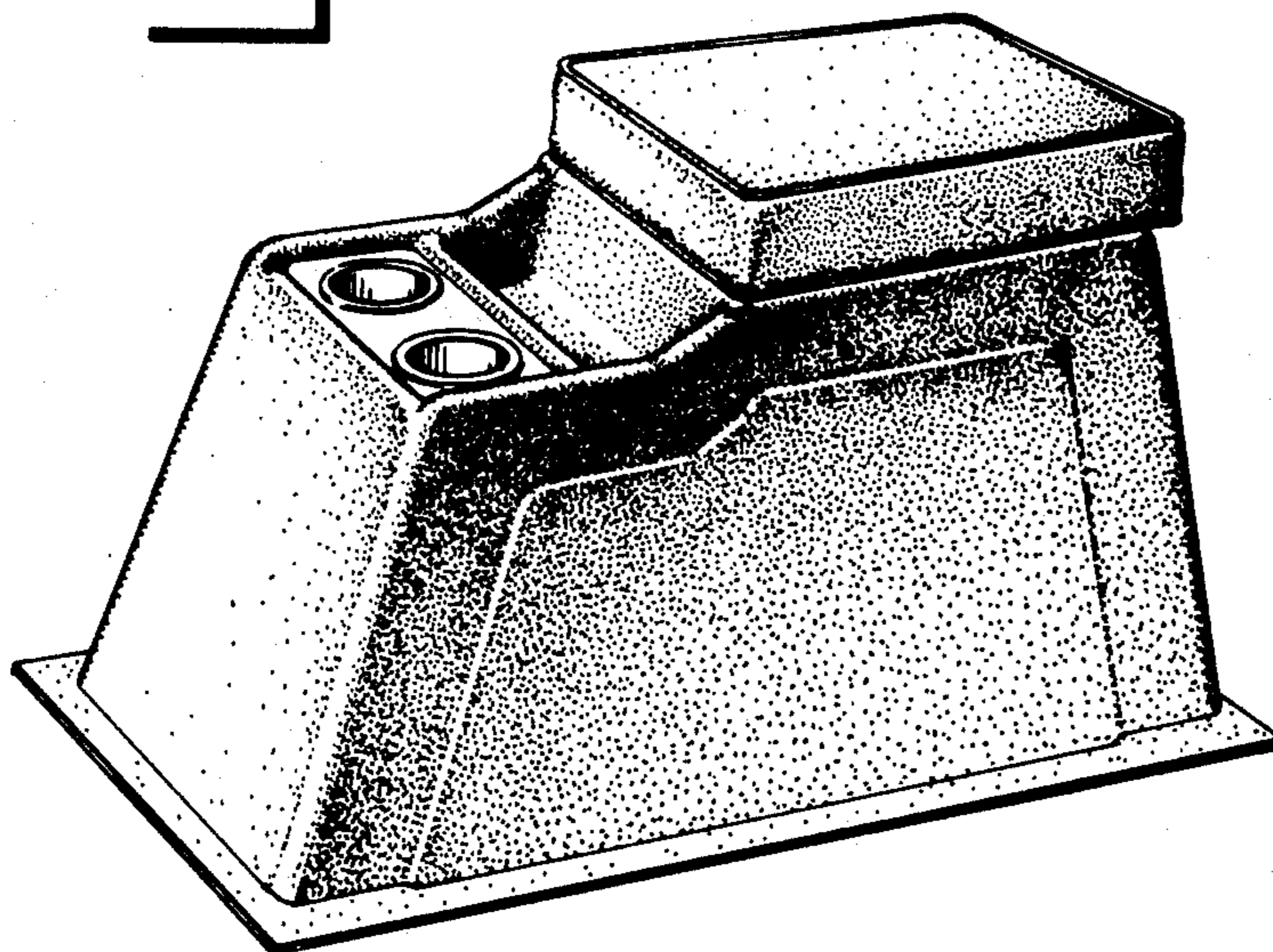


Fig. 2

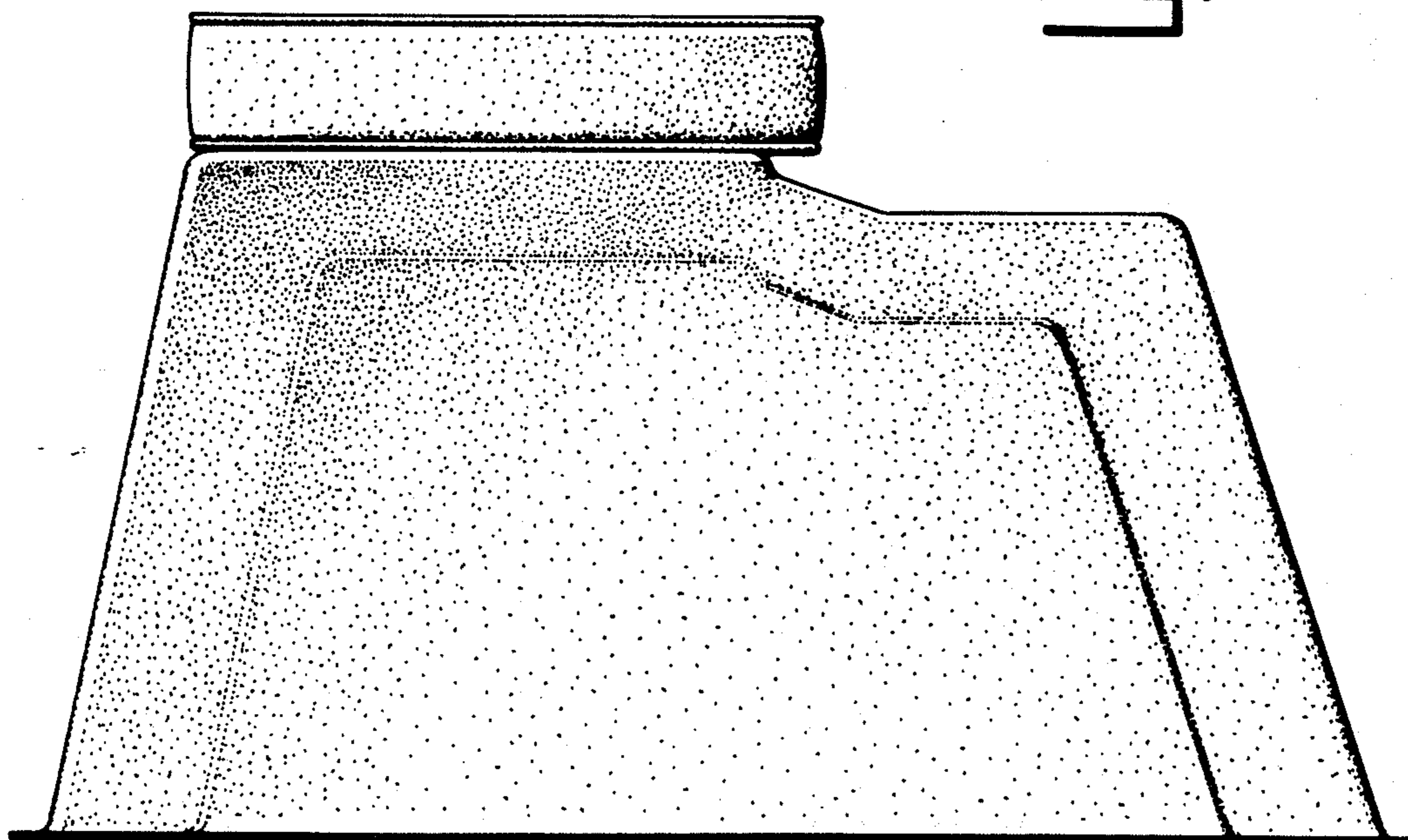




Fig. 3

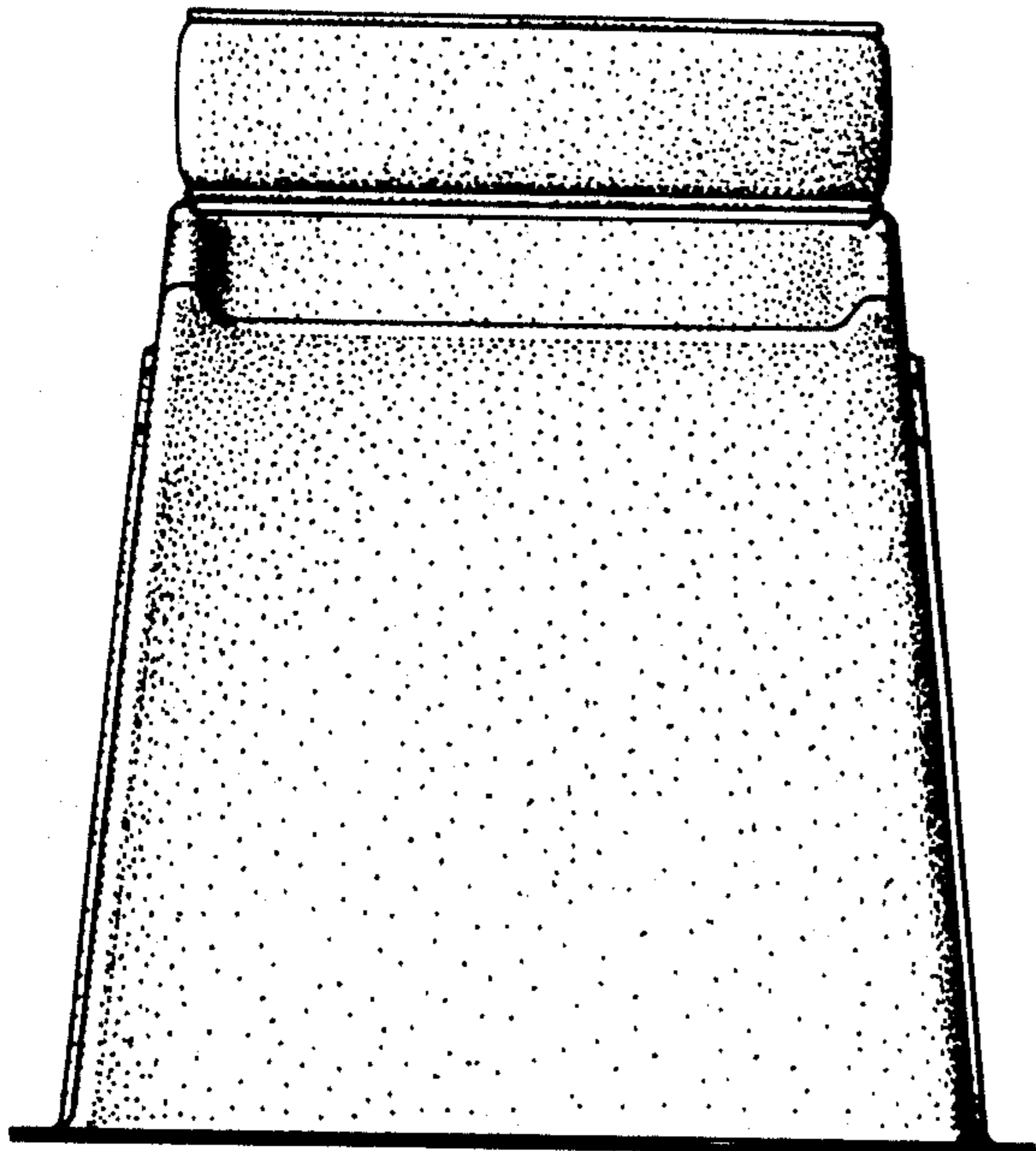


Fig. 4

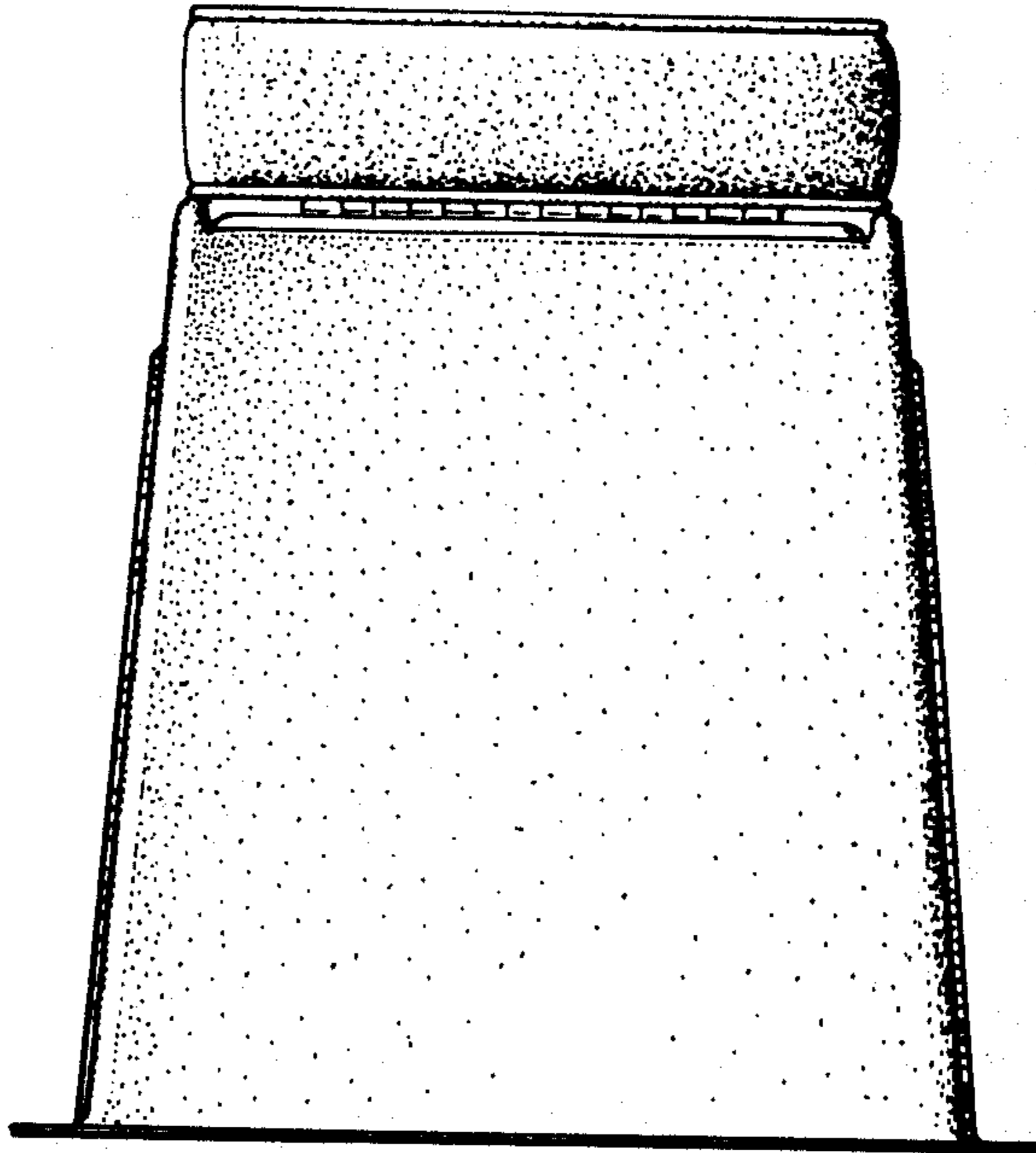


Fig. 5

