

[54] CARRYING CASE FOR A CAMERA AND ACCESSORIES

[75] Inventor: Donald R. Cohee, Westlake Village, Calif.

[73] Assignee: Vivitar Corporation, Santa Monica, Calif.

[**] Term: 14 Years

[21] Appl. No.: 810,301

[22] Filed: Jun. 27, 1977

[51] Int. Cl. D3-02

[52] U.S. Cl. D3/33

[58] Field of Search D87/5 E, 1 R, 5 R, 5 G, D87/3 F; 150/52 J; 224/5 V, 9 R; D16/8, 10, 38

[56] References Cited

U.S. PATENT DOCUMENTS

| | | | |
|------------|---------|---------------|---------|
| D. 179,619 | 2/1957 | Barber | D87/5 G |
| D. 194,139 | 11/1962 | Parsell | D87/5 E |
| D. 247,525 | 3/1978 | Sykes | D87/5 E |
| 2,560,335 | 7/1951 | Ericson | D87/5 E |

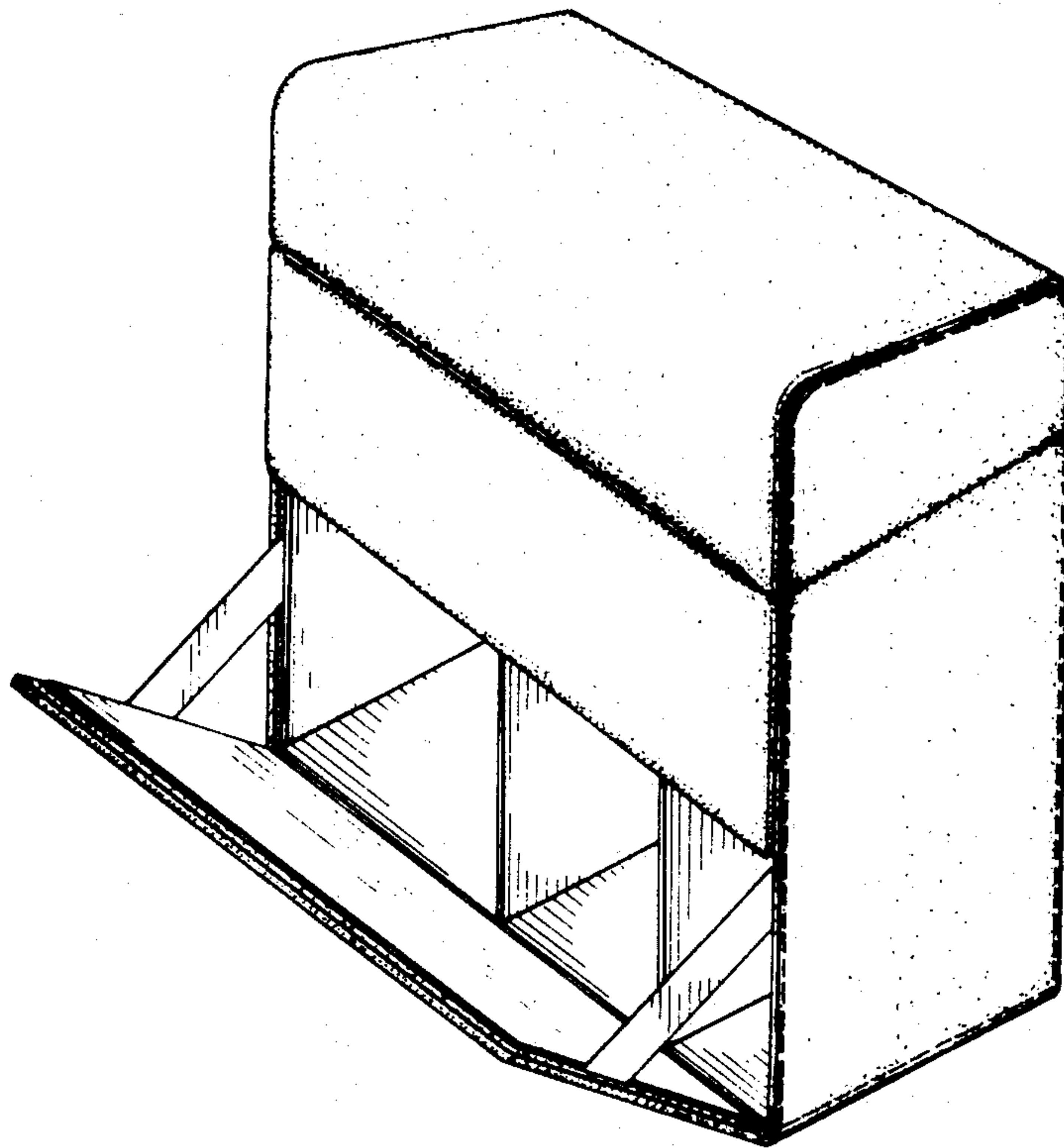
Primary Examiner—Joel Stearman
Assistant Examiner—George P. Word
Attorney, Agent, or Firm—John B. Young

[57] CLAIM

The ornamental design for a carrying case for a camera and accessories, as shown and described.

DESCRIPTION

FIG. 1 is a front perspective view of a carrying case for a camera and accessories showing my new design; FIG. 2 is a bottom rear perspective view thereof; FIG. 3 is a front perspective view with lower compartment door in an open position; and FIG. 4 is a rear perspective view with the top cover in an open position.



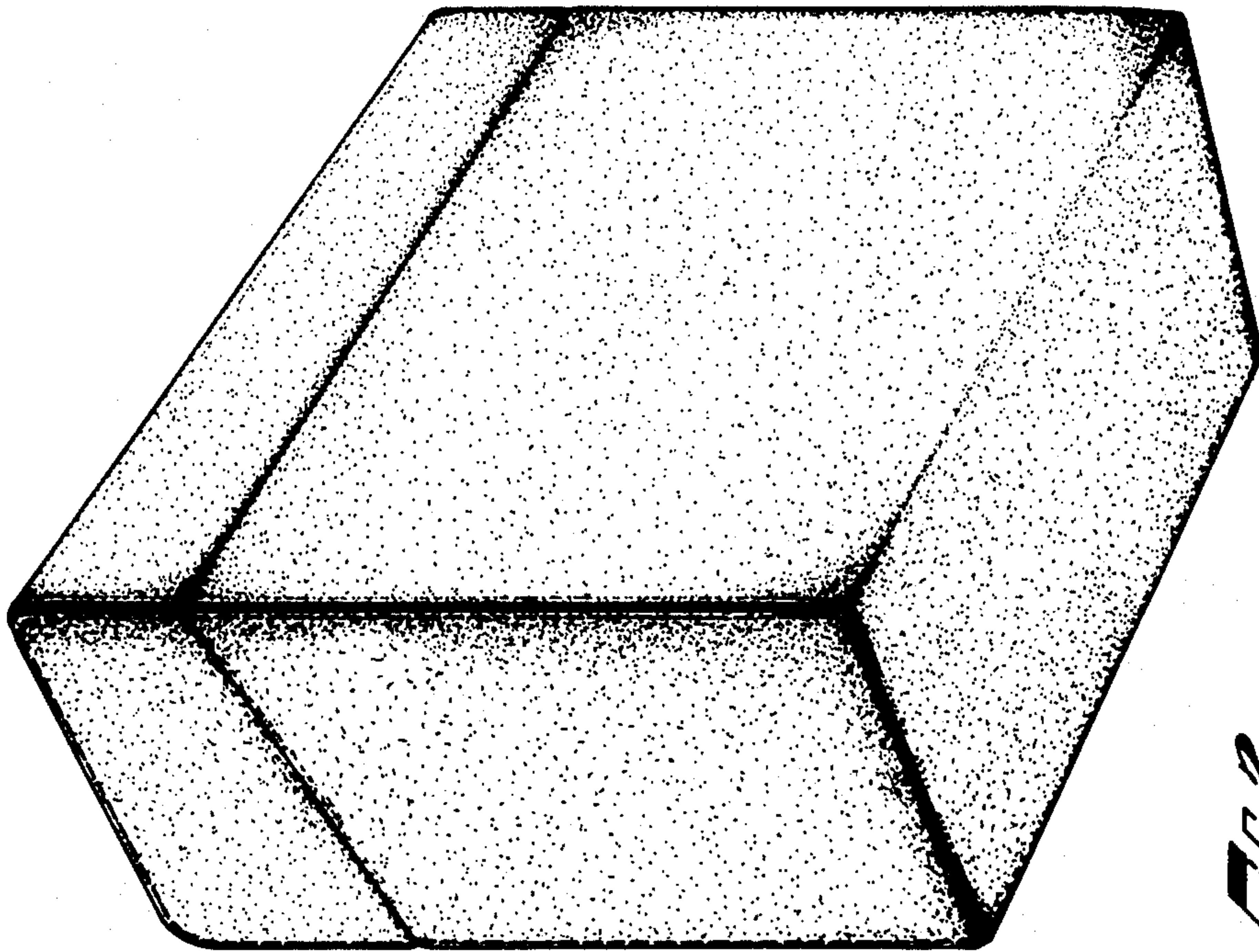


FIG. 2.

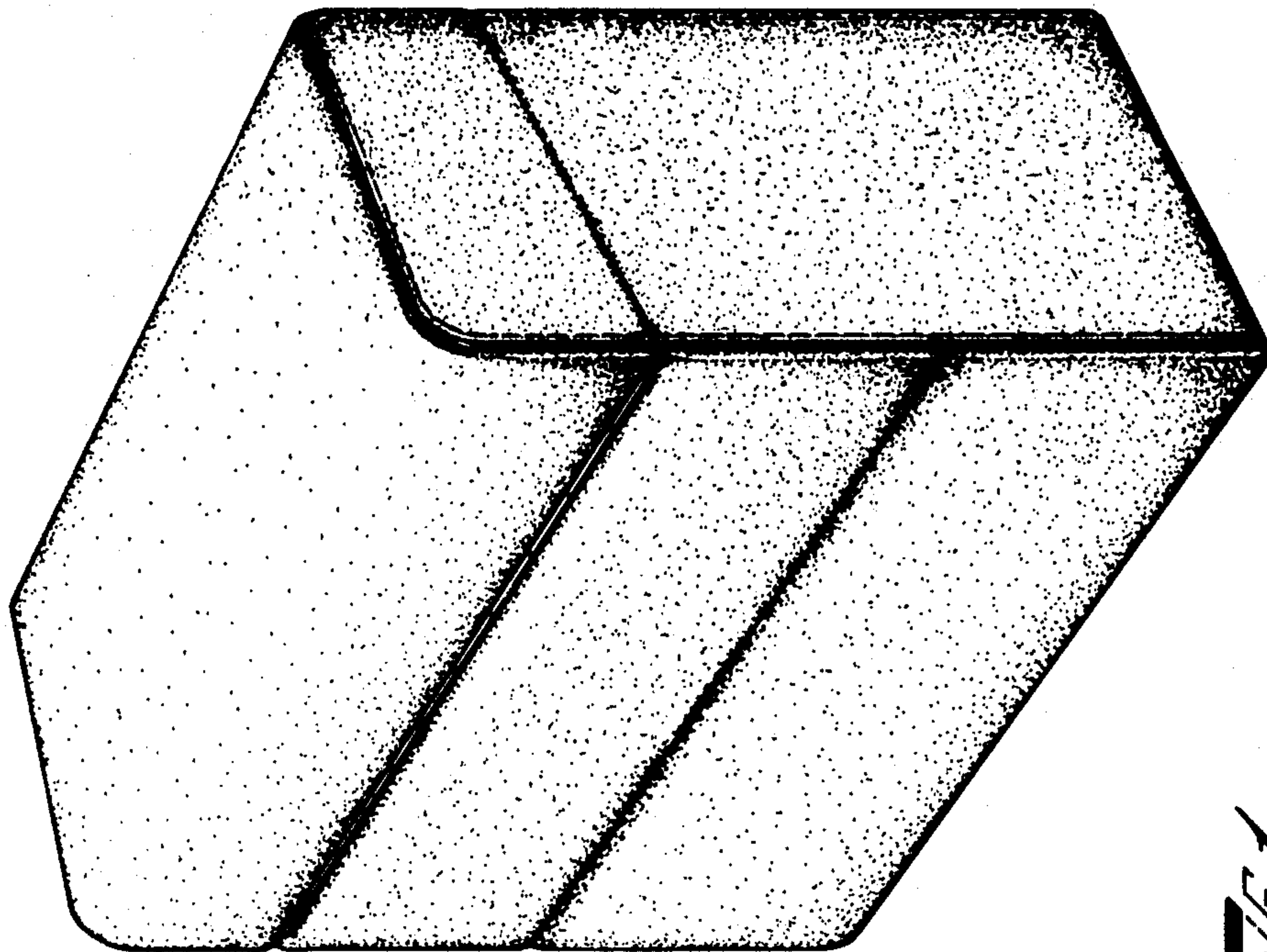


FIG. 1.

