

[54] COMBINED STORAGE AND CARRYING CASE FOR ART SUPPLIES

[76] Inventor: Juanita H. MacEvoy, R.R. 2 Box 16, Little Bay Rd., Wading River, N.Y. 11792

[**] Term: 14 Years

[21] Appl. No.: 799,758

[22] Filed: May 23, 1977

[51] Int. Cl. D3-02

[52] U.S. Cl. D3/74

[58] Field of Search D87/1 R, 3 R, 3 F, 5 R, D87/5 B, 5 F; D19/35, 30; 206/1.7, 1.8, 1.9, 81

[56] References Cited

U.S. PATENT DOCUMENTS

D. 235,622	7/1975	Herring	D87/1 R
D. 239,664	4/1976	Savoy	D87/1 R
4,061,224	12/1977	Fuhri	D87/1 R

OTHER PUBLICATIONS

Arts & Crafts Inc., (CCM) Cat. ©1971, p. 94, No. 19895.

Primary Examiner—Joel Stearman

Assistant Examiner—George P. Word

Attorney, Agent, or Firm—Ralph E. Bucknam

[57] CLAIM

The ornamental design for a combined carrying and storage case for art supplies, as shown and described.

DESCRIPTION

FIG. 1 is a perspective view of a combined carrying and storage case for art supplies showing my new design, in a fully open condition;

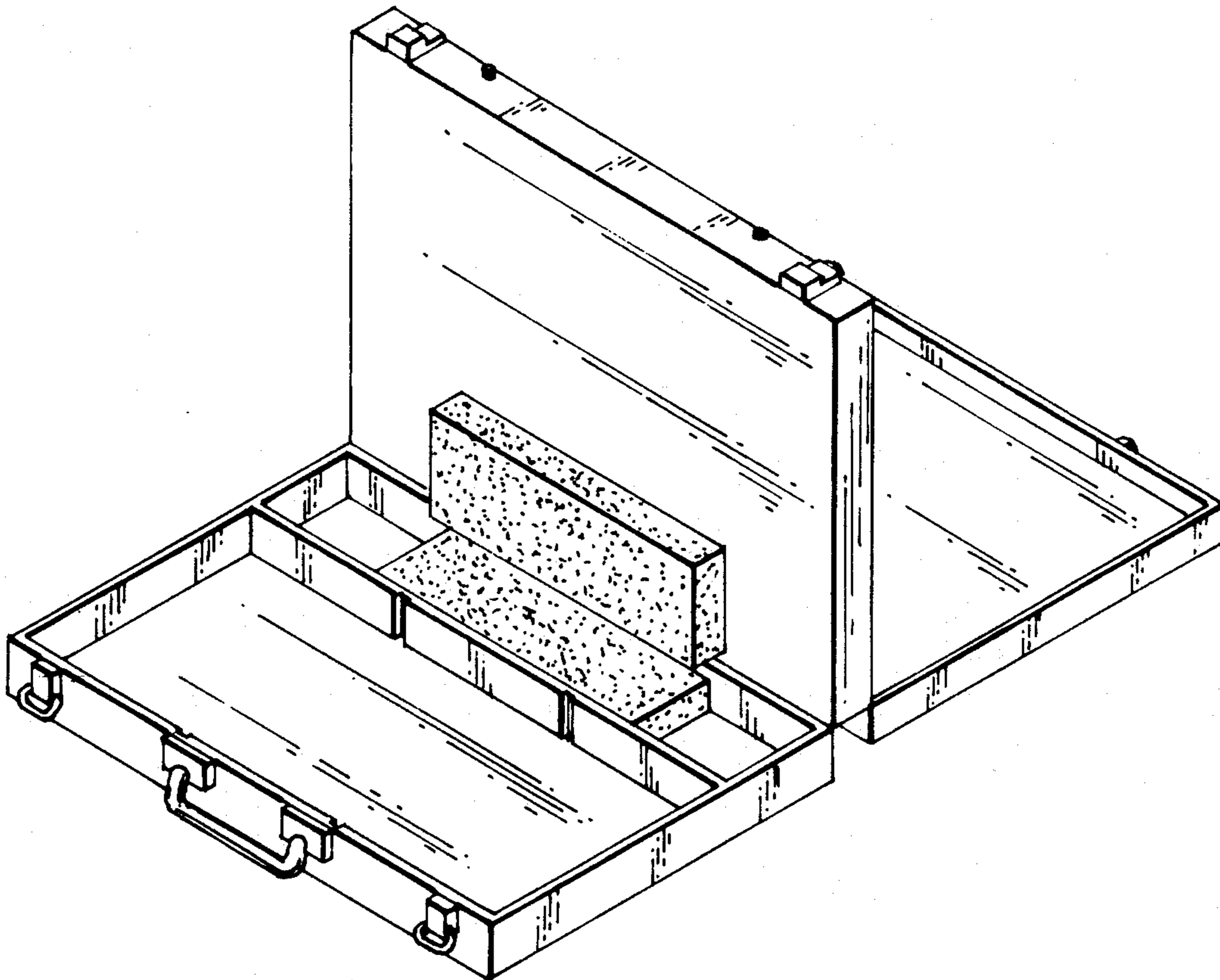
FIG. 2 is a top plan view thereof;

FIG. 3 is a front elevational view thereof;

FIG. 4 is a left side elevational view thereof;

FIG. 5 is a bottom plan view; and

FIG. 6 is a rear elevational view.



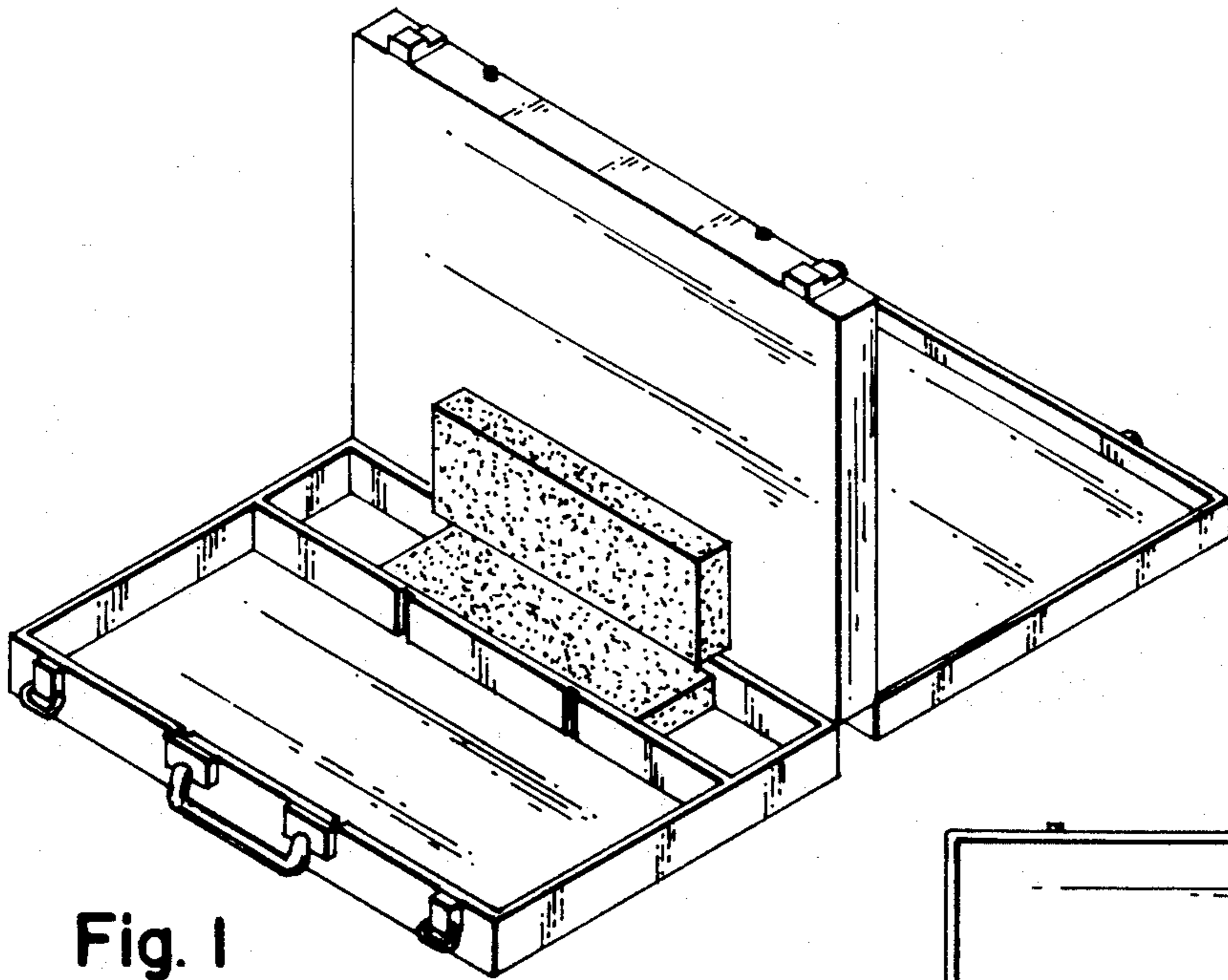


Fig. 1

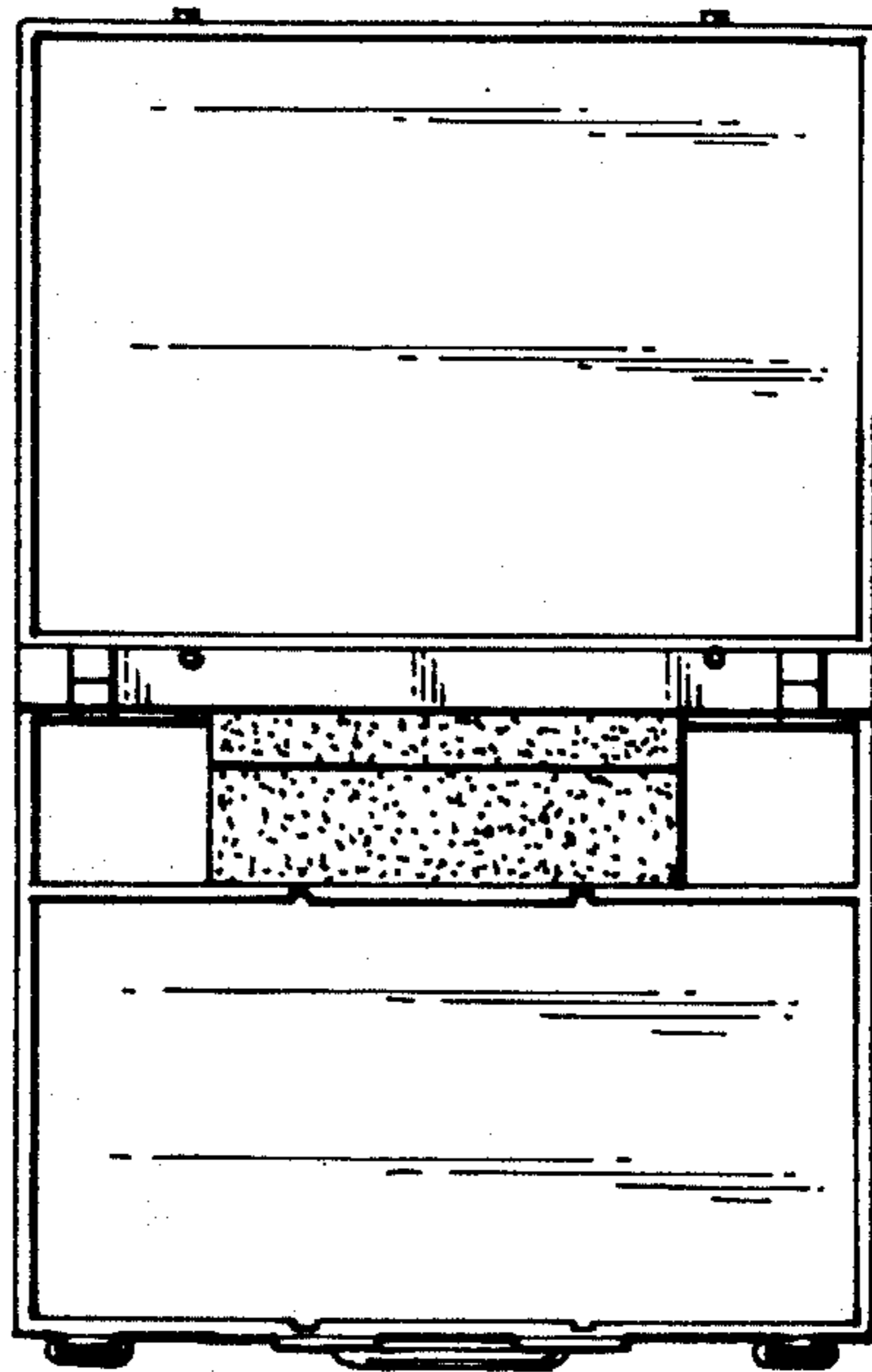


Fig. 2

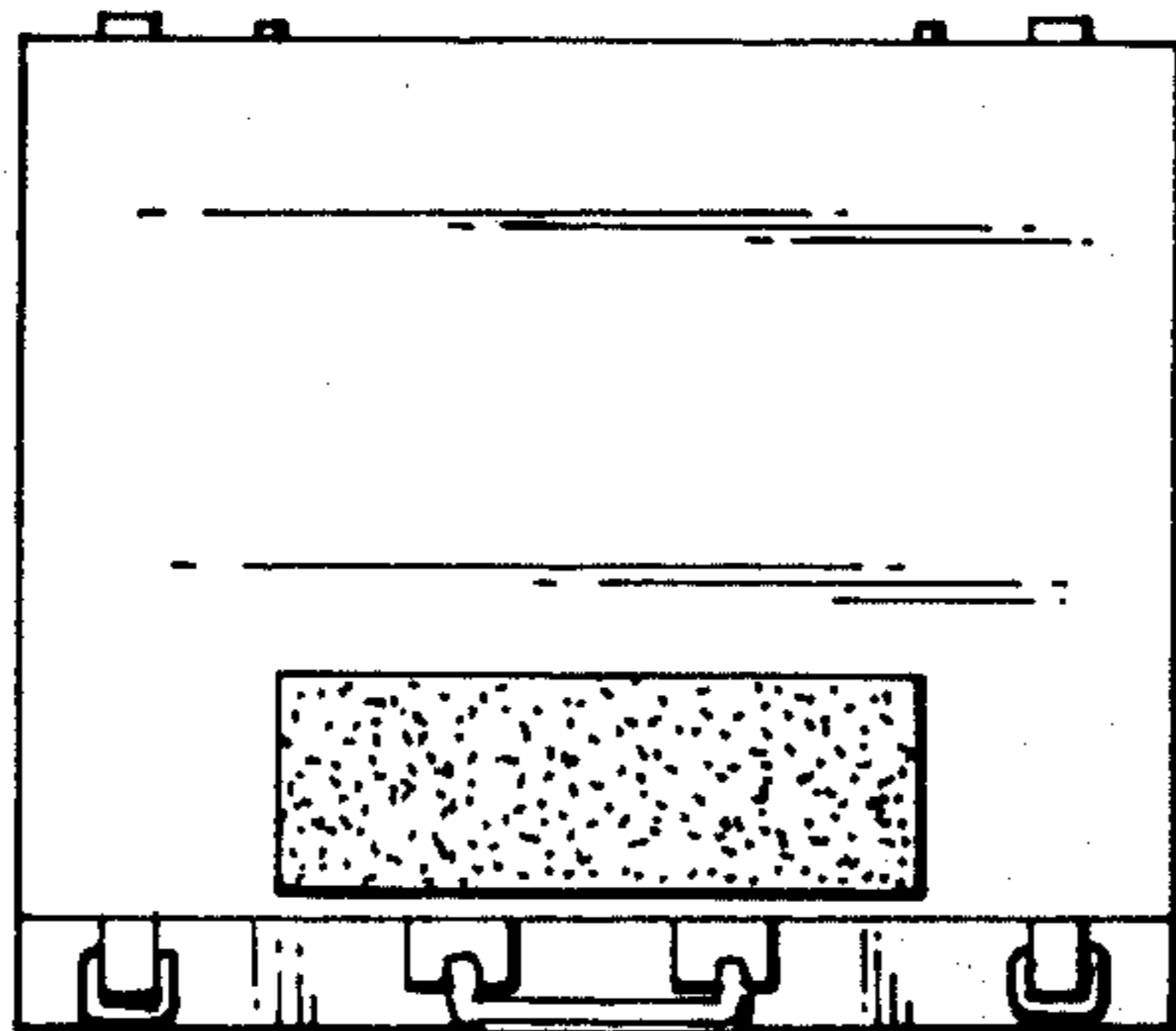


Fig. 3

Fig. 4

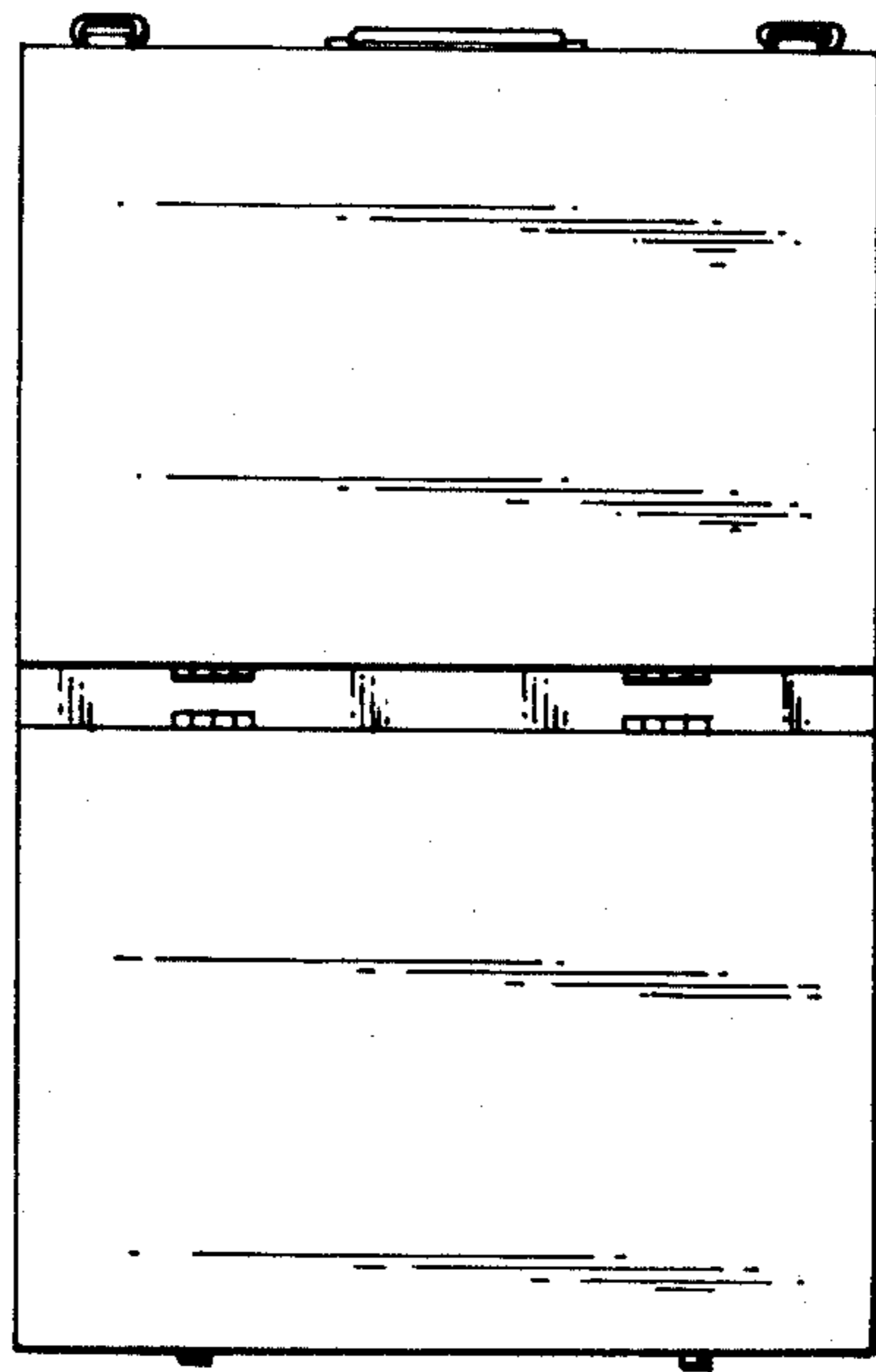
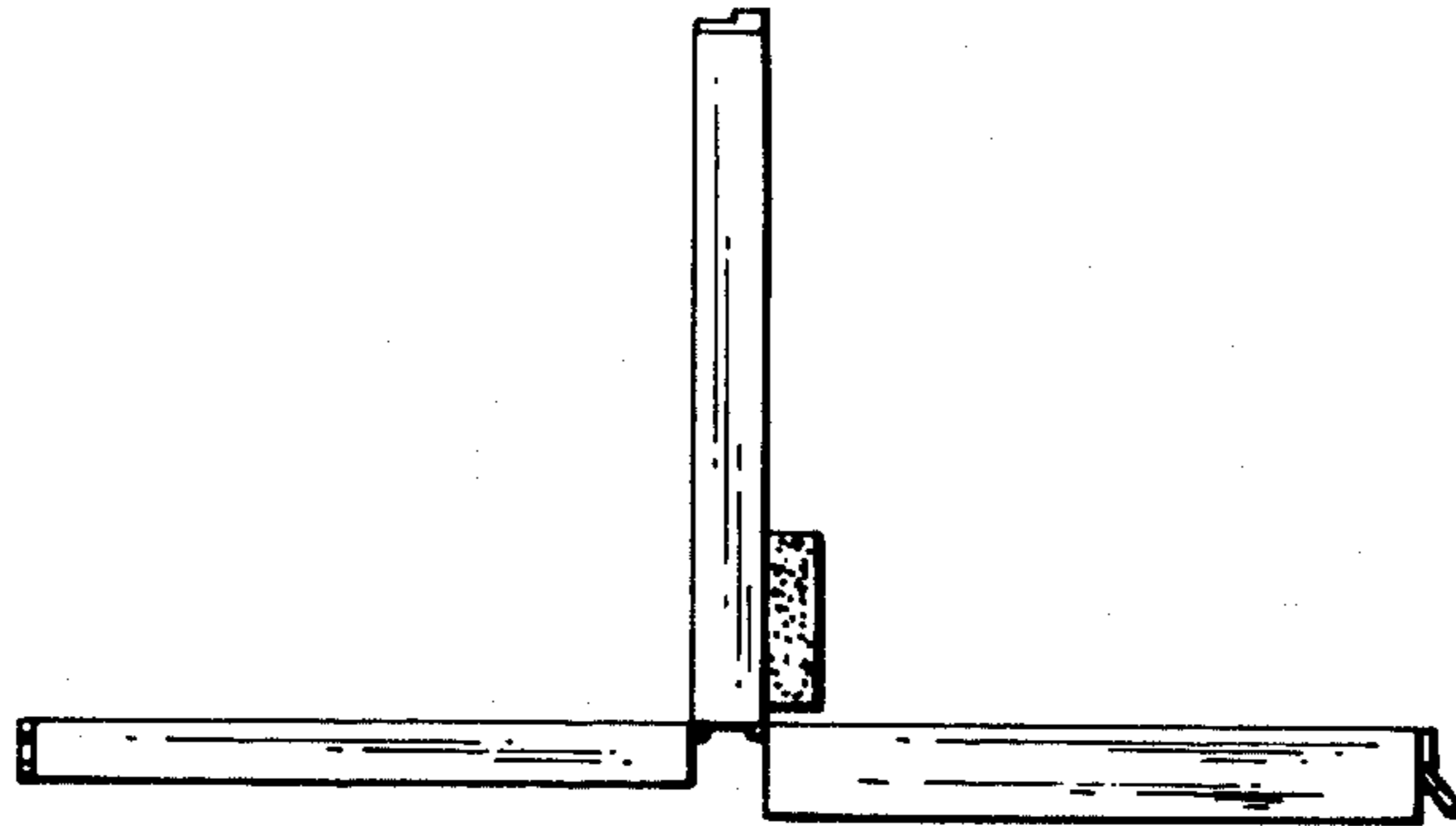


Fig. 5

Fig. 6

