

[54] FLASH LIGHT CASE

[76] Inventor: Wing-Hung Lun, Chun Fat Factory
Bldg. 3 Tsat Po St., Kowloon, Hong
Kong

[**] Term: 14 Years

[21] Appl. No.: 790,802

[22] Filed: Apr. 25, 1977

[51] Int. Cl. D26-02

[52] U.S. Cl. D48/24 A

[58] Field of Search D48/24 R, 24 A;
362/158, 161, 164, 183, 184, 187, 188, 189, 190,
191, 194, 196, 201, 202, 203, 204, 205, 208, 222,
223

[56] References Cited

U.S. PATENT DOCUMENTS

D. 149,726	5/1948	Amstutz	D48/24 A
D. 229,219	11/1973	Besnard	D48/24 A
3,007,110	10/1961	Rosentrach	362/205 X
3,539,800	11/1970	Doring	D48/24 A X

Primary Examiner—Susan J. Lucas

Attorney, Agent, or Firm—Davidson C. Miller

[57] CLAIM

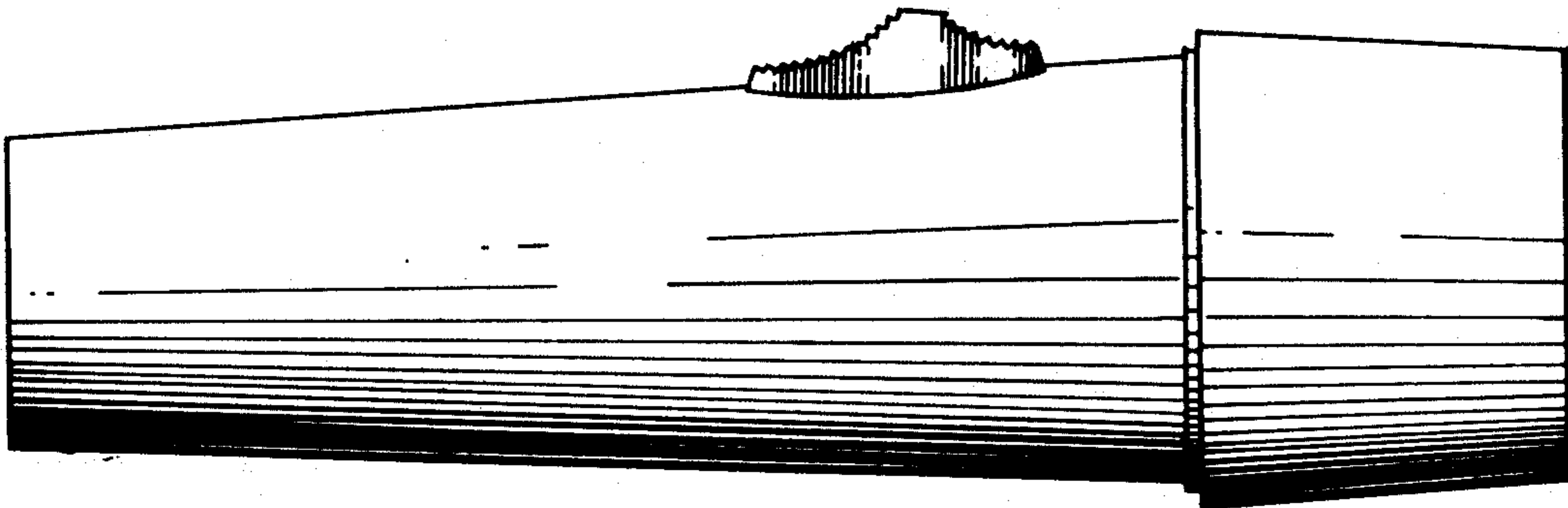
The ornamental design for flash light case, as shown and described.

DESCRIPTION

FIG. 1 is a front perspective view of a flash light case showing my new design;

FIG. 2 is a rear perspective view thereof;

FIG. 3 is a side elevational view thereof.



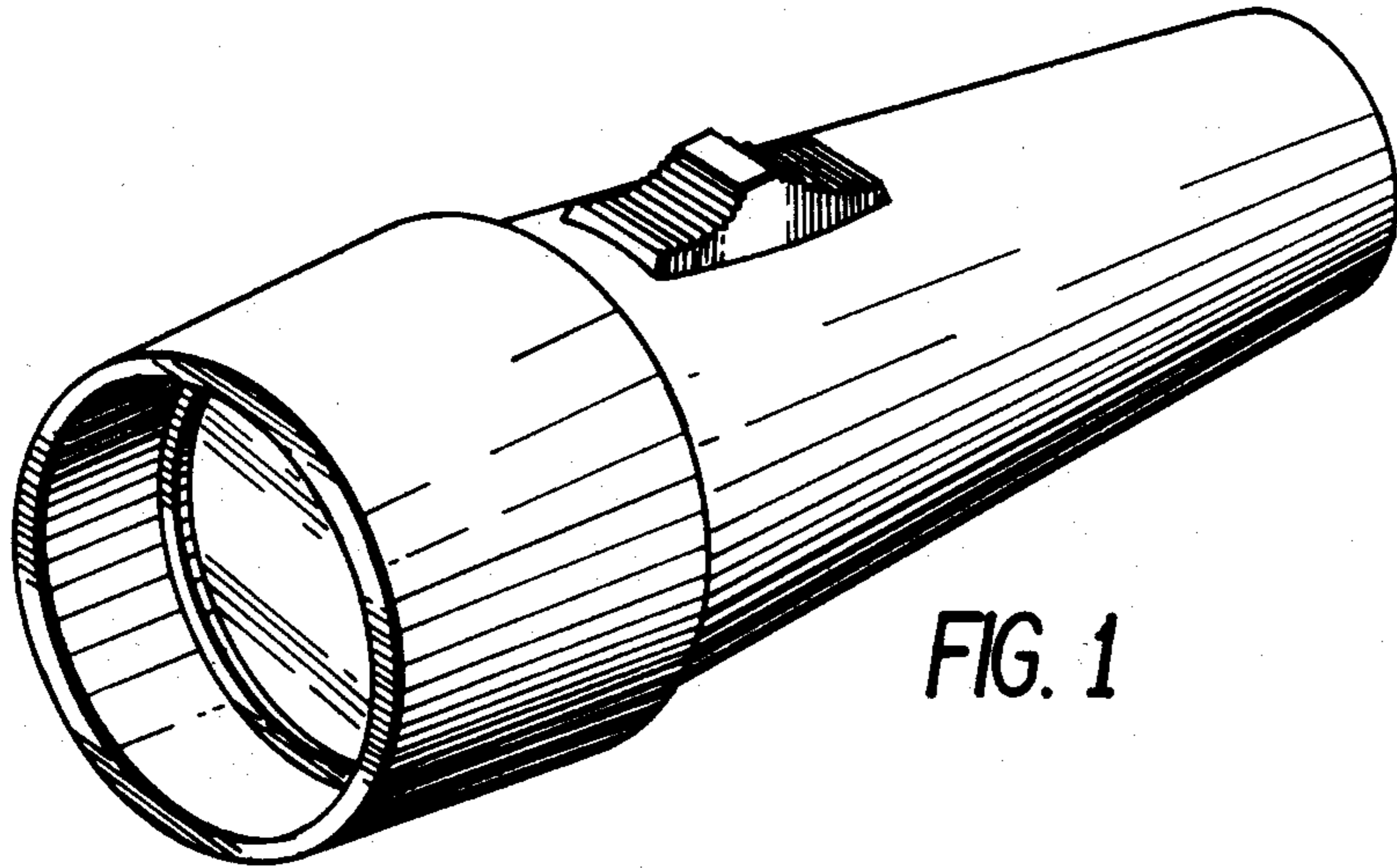


FIG. 1

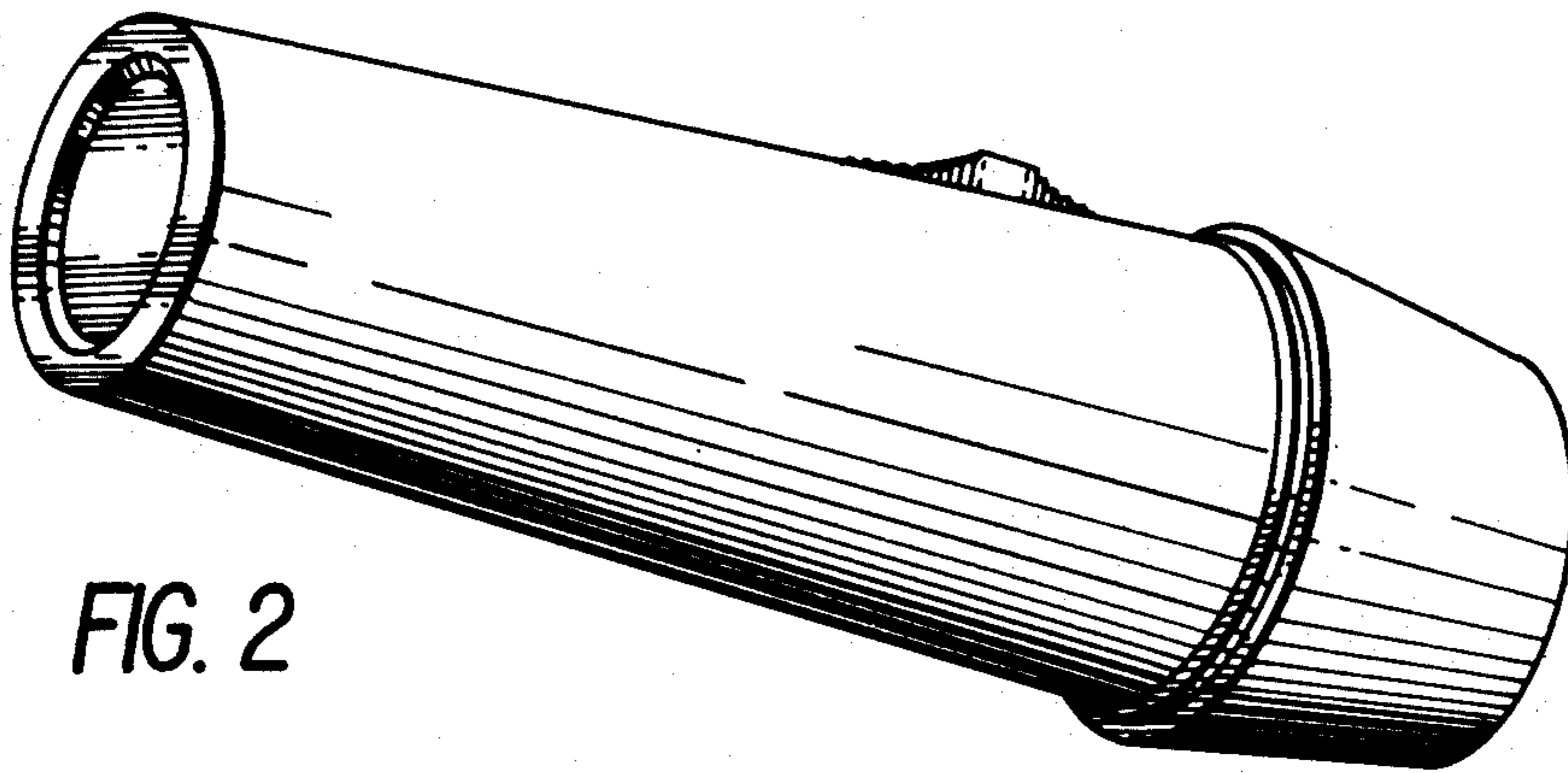


FIG. 2

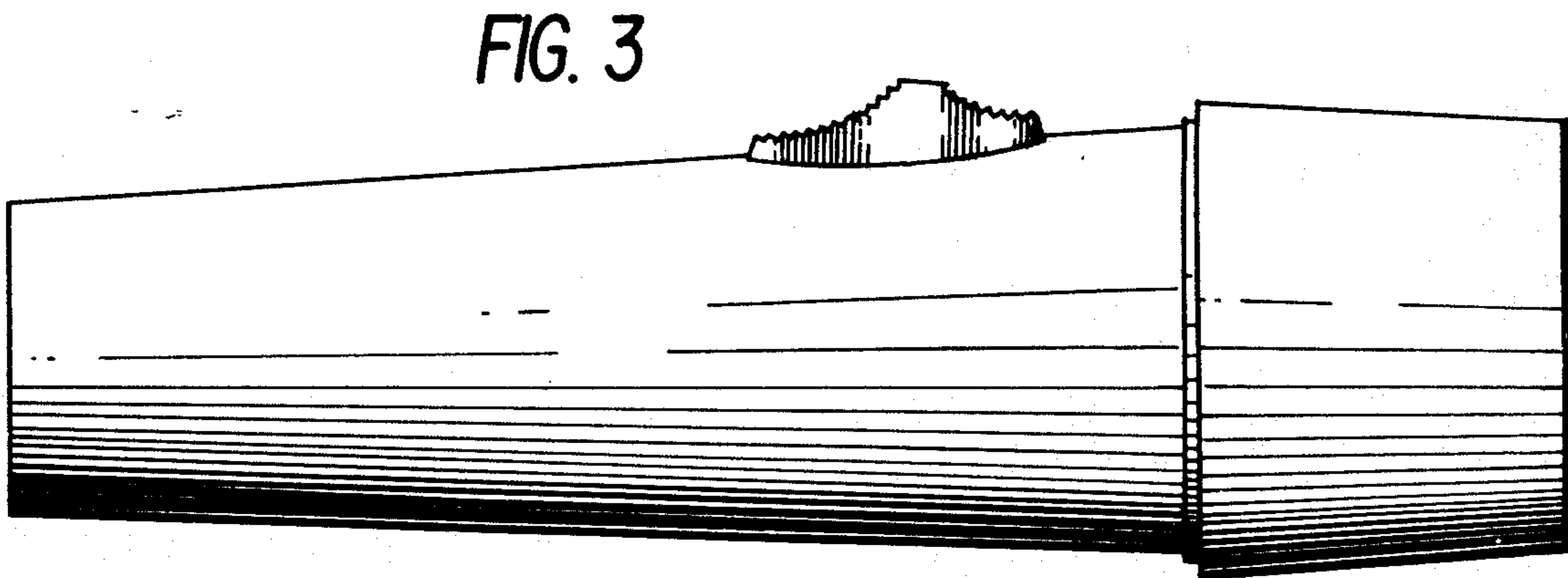


FIG. 3