

[54] **PRINTER HOUSING**

[75] Inventor: **David E. Roche**, Nashua, N.H.

[73] Assignee: **Centronics Data Computer Corp.**, Hudson, N.H.

[**] Term: **14 Years**

[21] Appl. No.: **758,027**

[22] Filed: **Jan. 10, 1977**

[51] Int. Cl. **D18-02**

[52] U.S. Cl. **D18/23; D18/1; D18/11**

[58] Field of Search **D64/DIG. 1, 11 R, 11 B, D64/11 C; D14/50, 93; 197/1 R; 101/1, 2**

[56] **References Cited**

U.S. PATENT DOCUMENTS

D. 222,267	10/1971	Ramig, Jr.	D14/50
D. 235,778	7/1975	Fossella	D14/50 X
3,844,395	10/1974	Mero et al.	D64/11 R
4,026,402	5/1977	Byrd	197/1 R

OTHER PUBLICATIONS

Electronic News, 8/19/1963-SCM"311" High speed printer.

Primary Examiner—Louis S. Zarfes
Attorney, Agent, or Firm—Louis Weinstein

[57] **CLAIM**

The ornamental design for a printer housing, as shown and described.

DESCRIPTION

FIG. 1 is a perspective view of a printer housing showing my new design;
 FIG. 2 is a left-side elevational view thereof;
 FIG. 3 is a top plan view thereof;
 FIG. 4 is a rear elevational view thereof;
 FIG. 5 is a perspective view of the printer housing with the paper feeder removed;
 FIG. 6 is a left-side elevational view thereof;
 FIG. 7 is a perspective view of the printer housing with the keyboard removed;
 FIG. 8 is a left-side elevational view thereof;
 FIG. 9 is a top plan view thereof;
 FIG. 10 is a rear elevational view thereof;
 FIG. 11 is a perspective view of the printer housing without the keyboard or feeder; and
 FIG. 12 is a left-side elevational view thereof.
 The keyboard is continuous over the area indicated by dot-dash lines in FIGS. 1, 3 and 5.

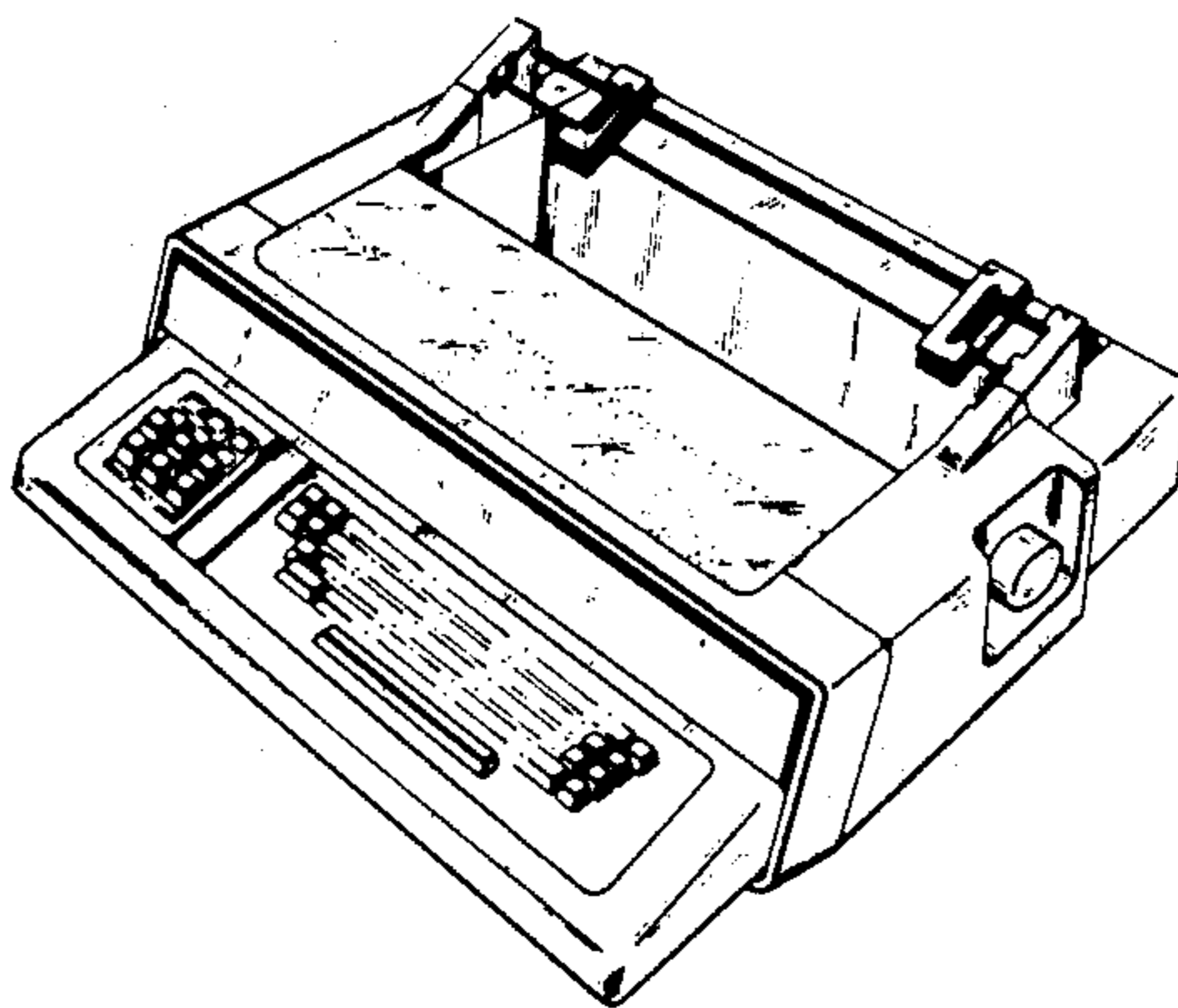
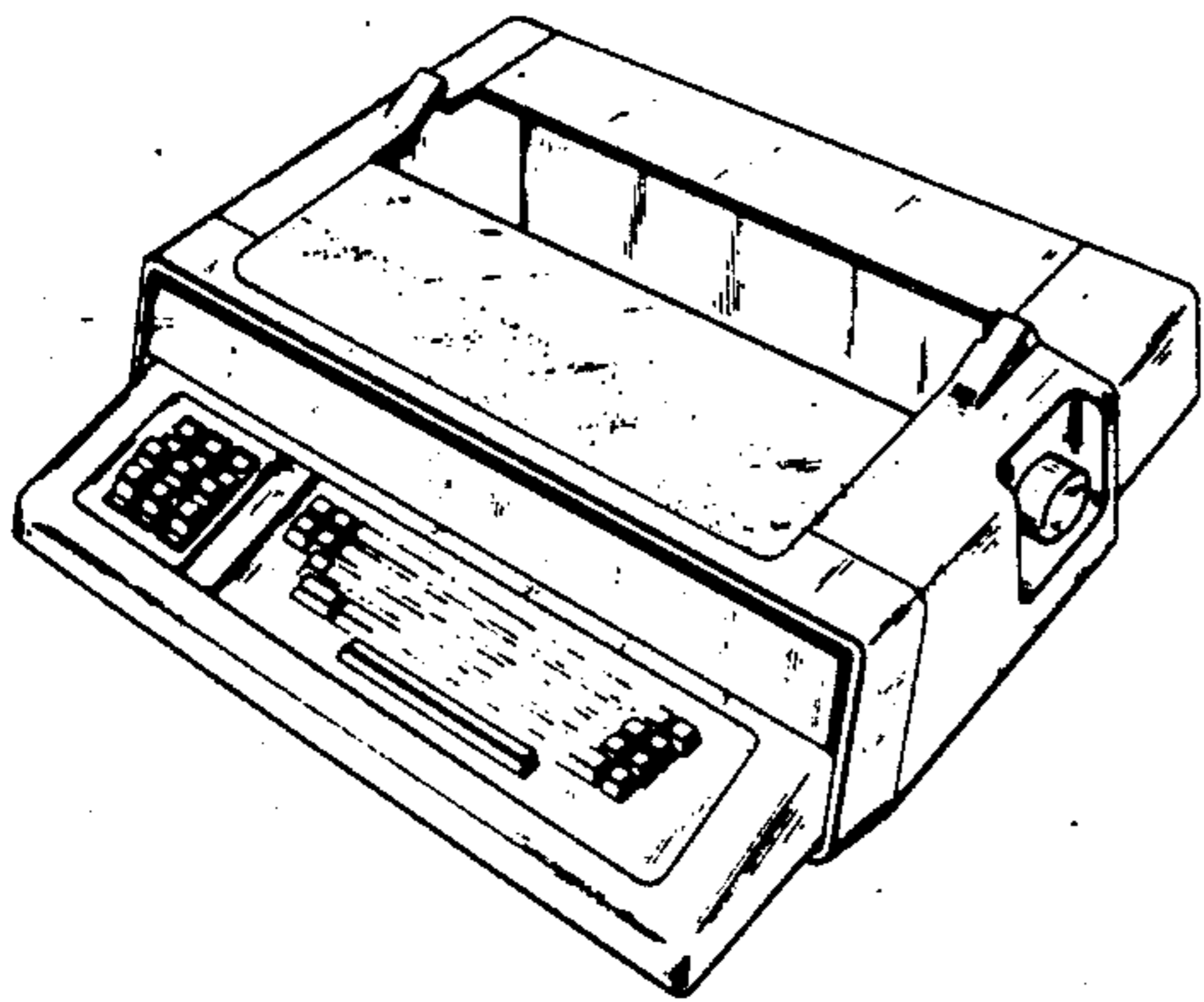
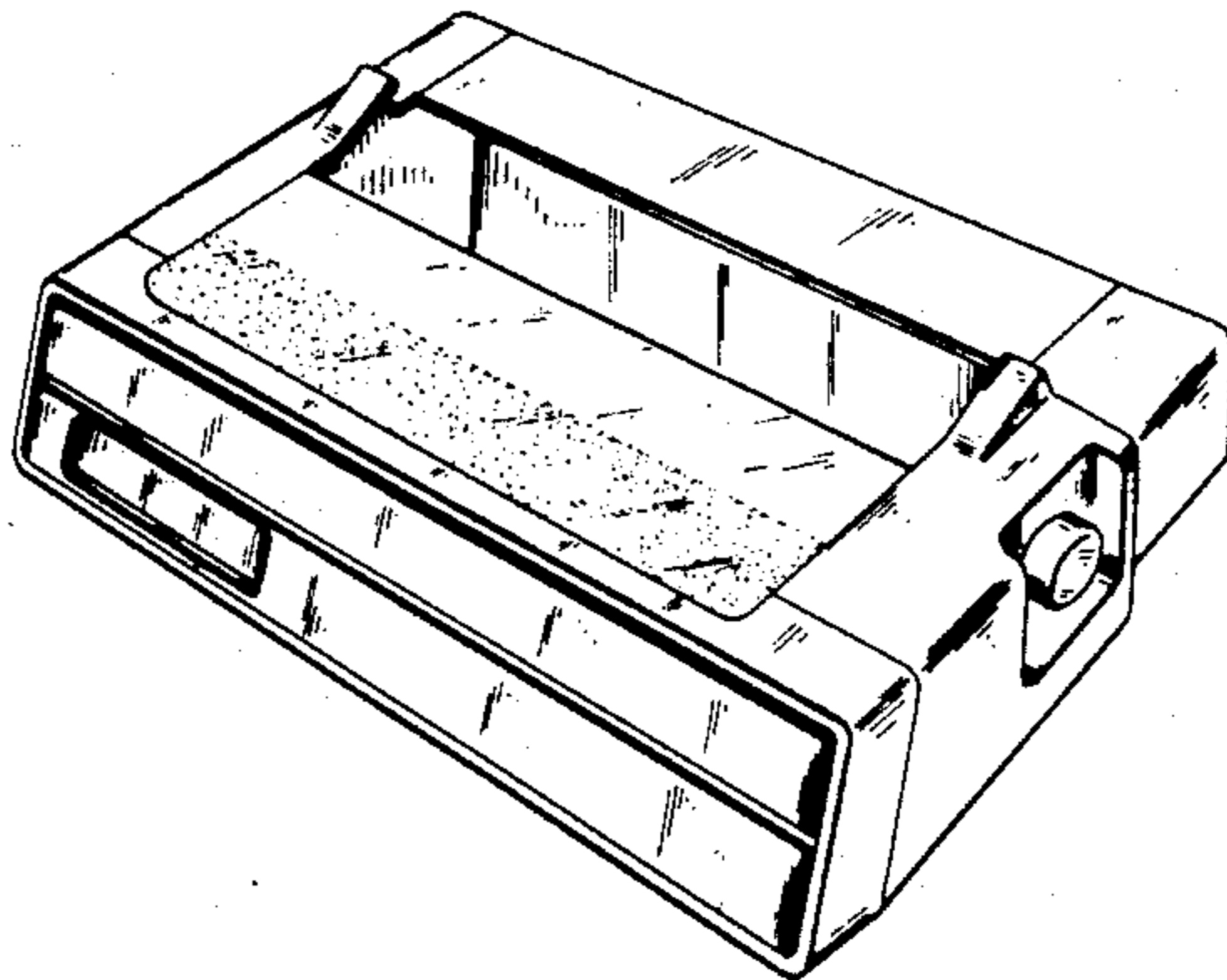
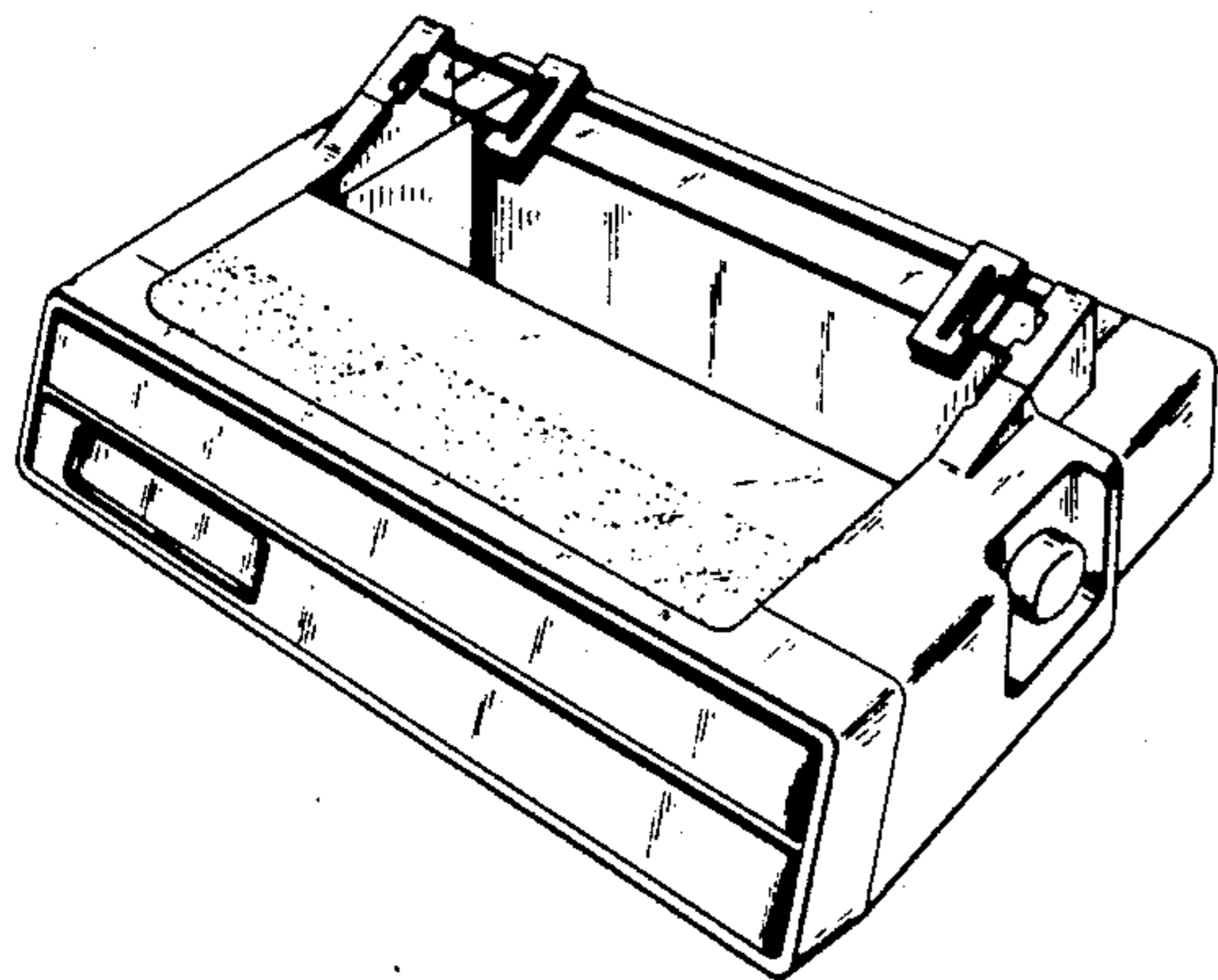


FIG. 1.

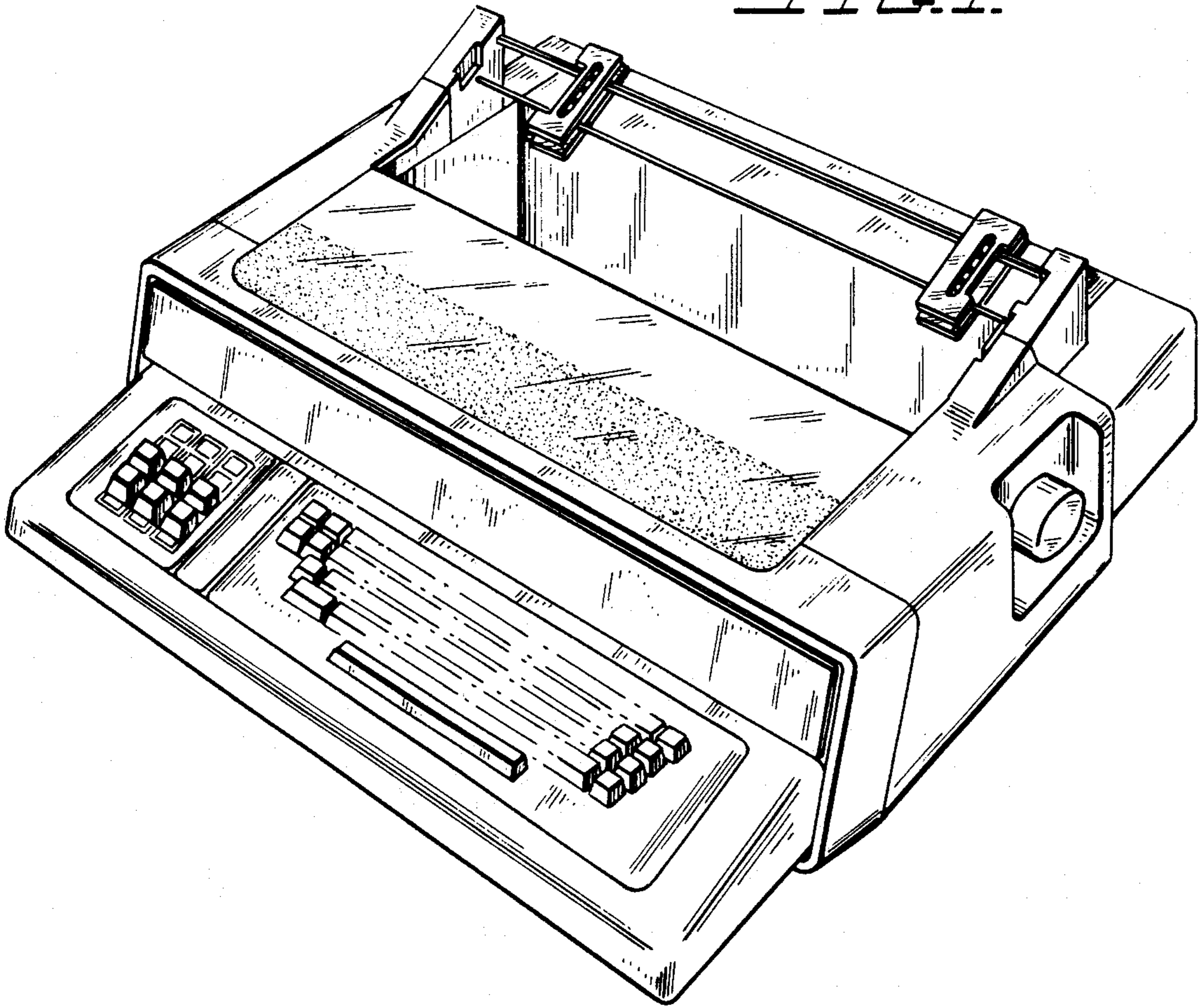


FIG. 2.

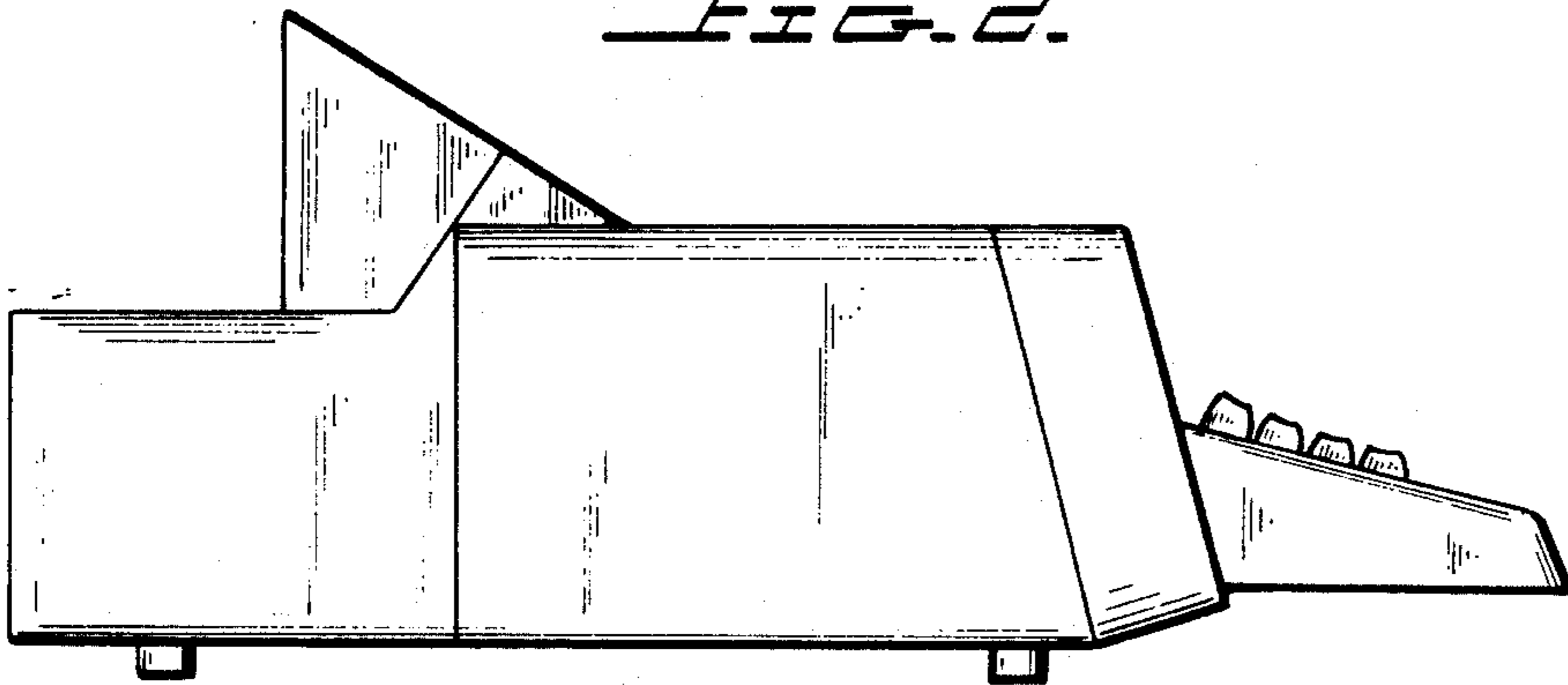


FIG. 3.

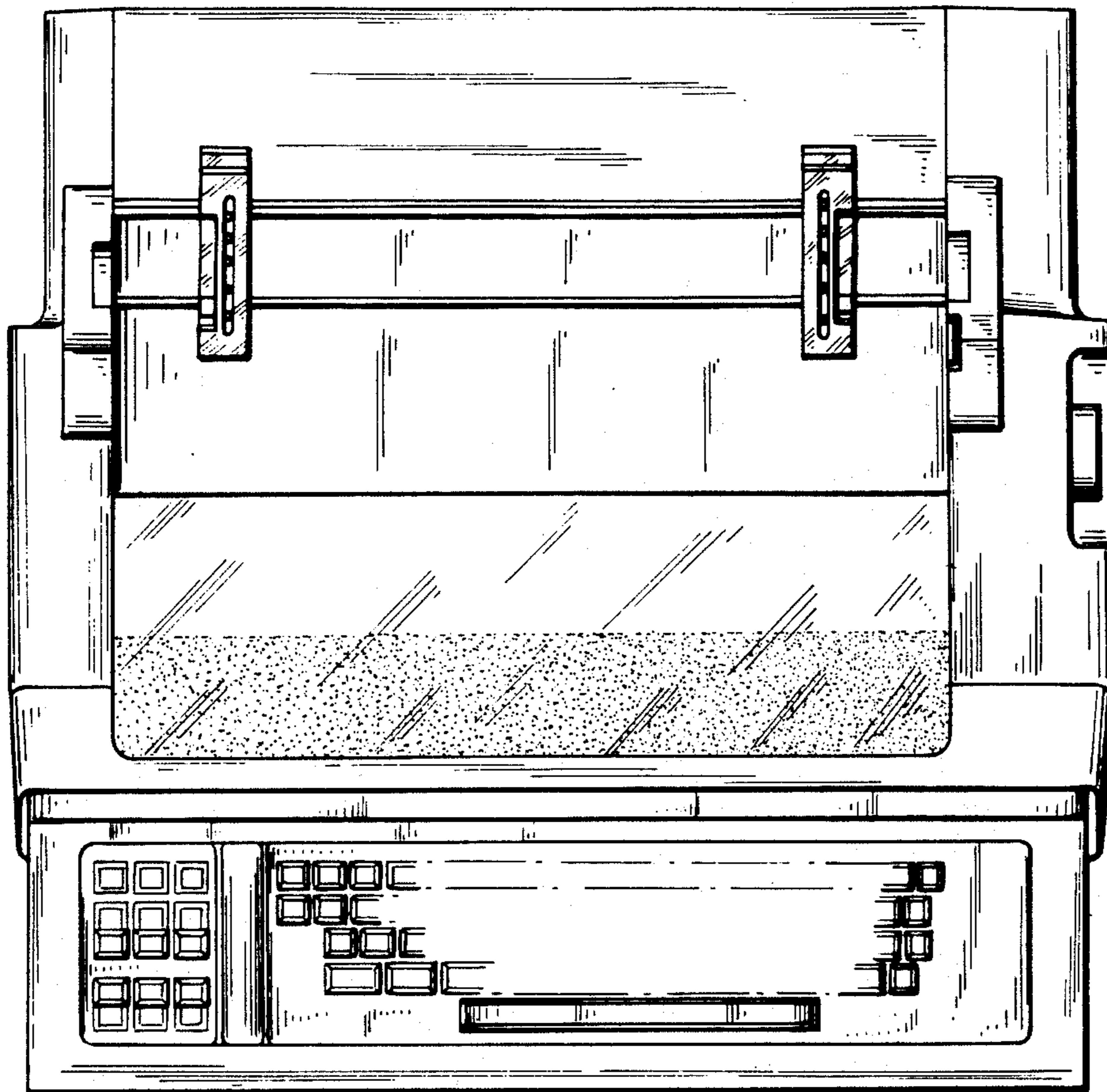


FIG. 4.

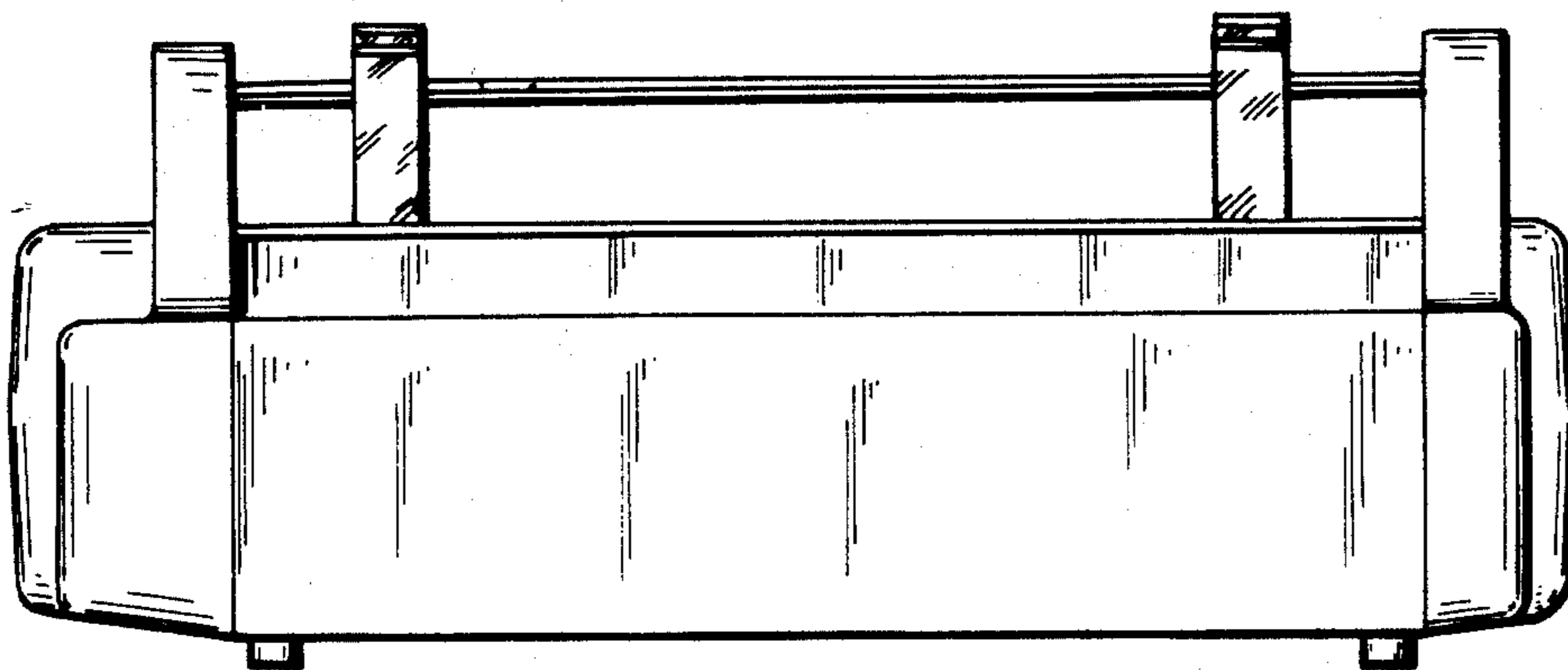


FIG. 5.

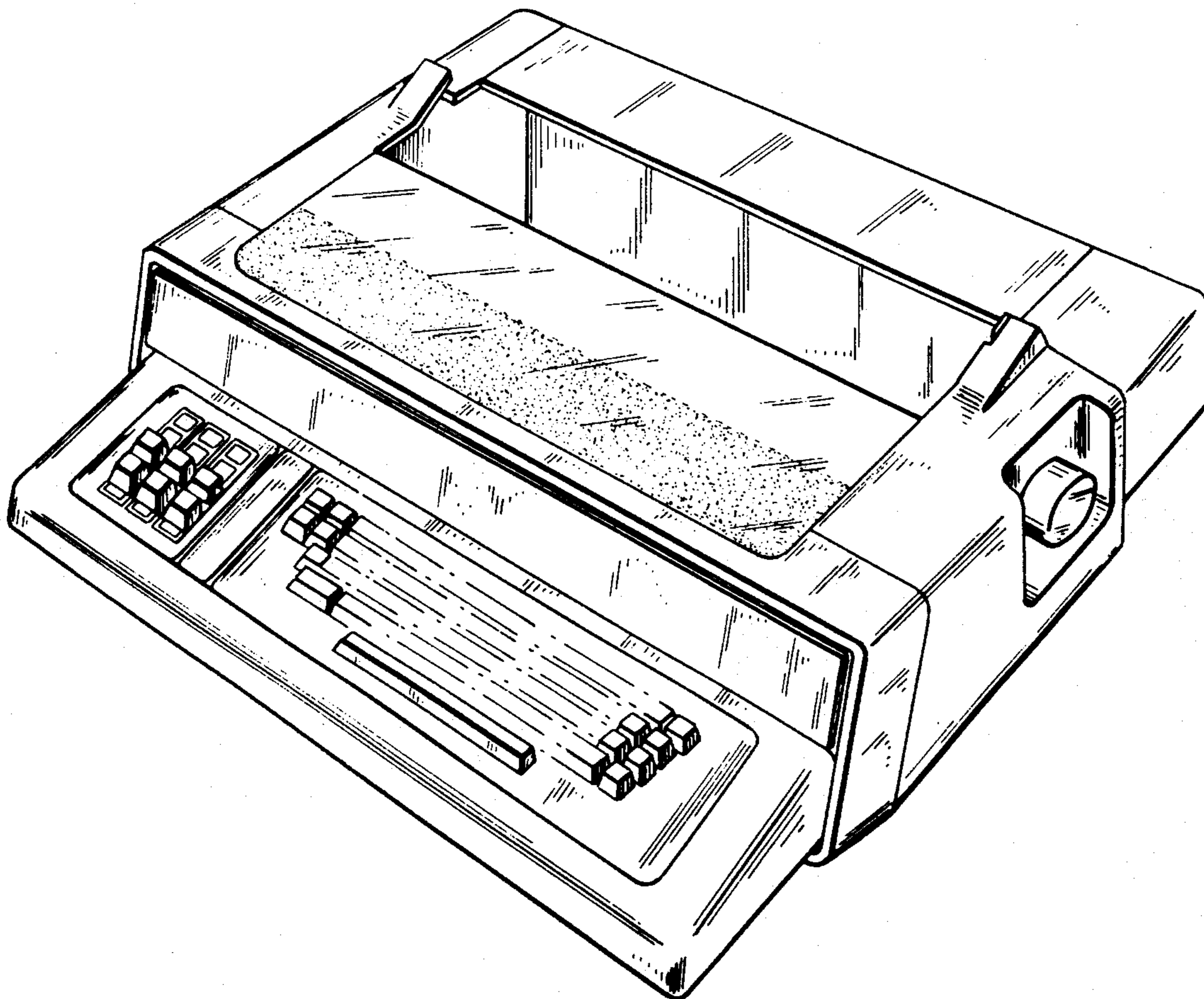
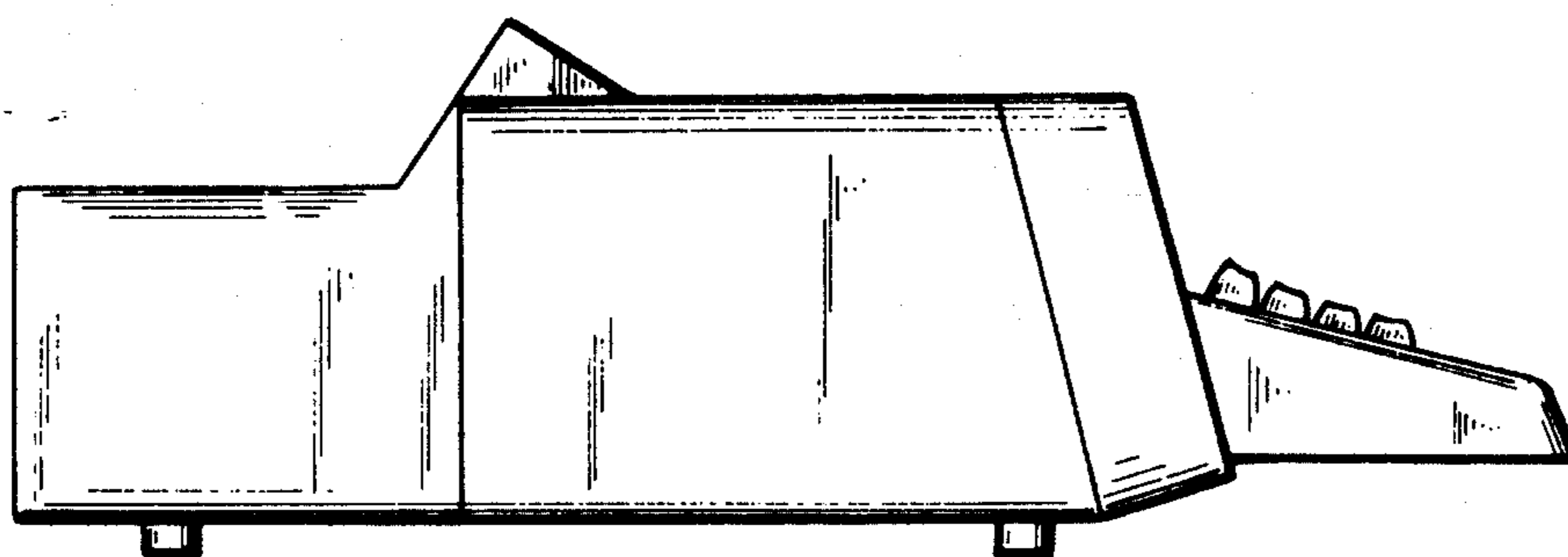


FIG. 6.



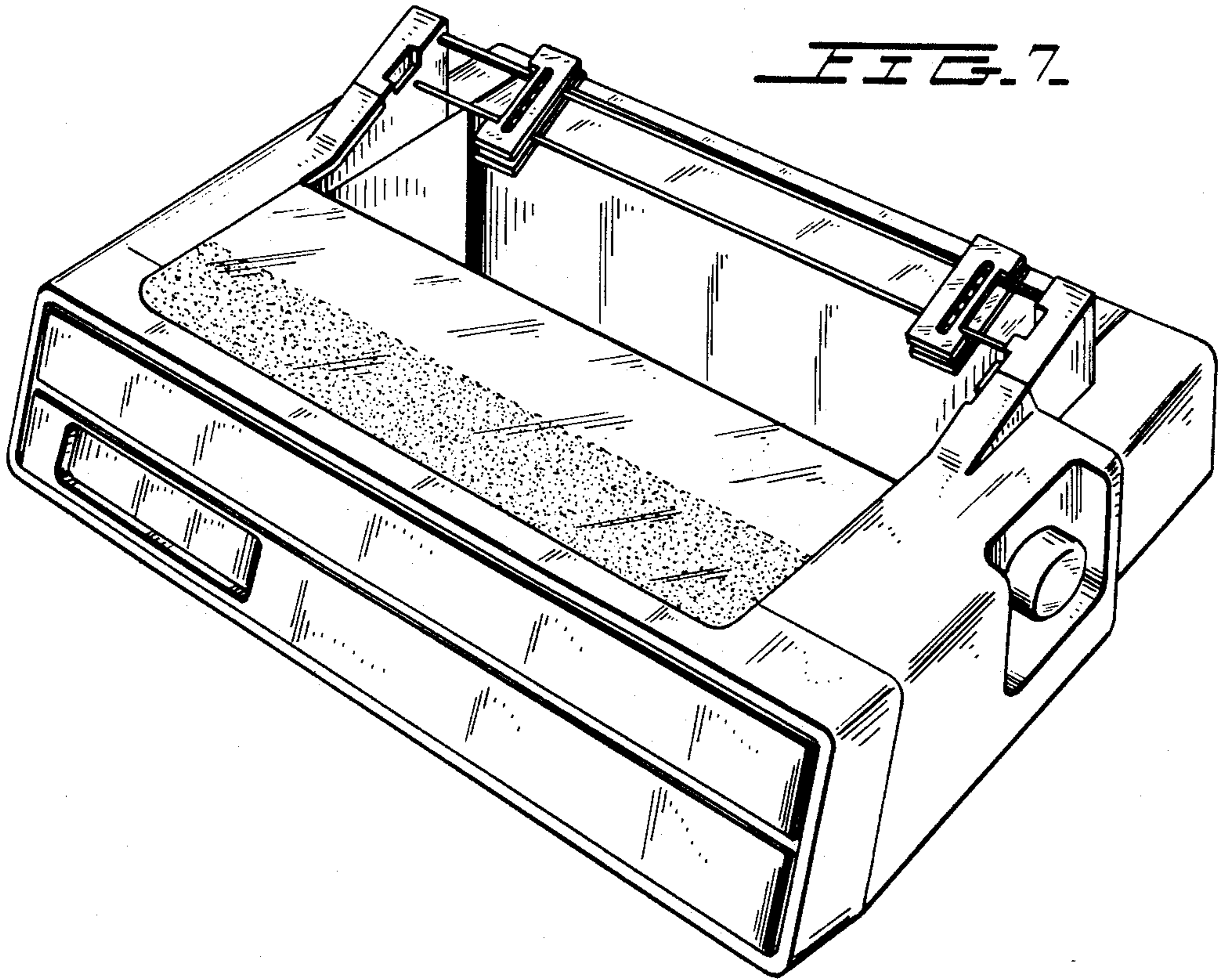


FIG. 7.

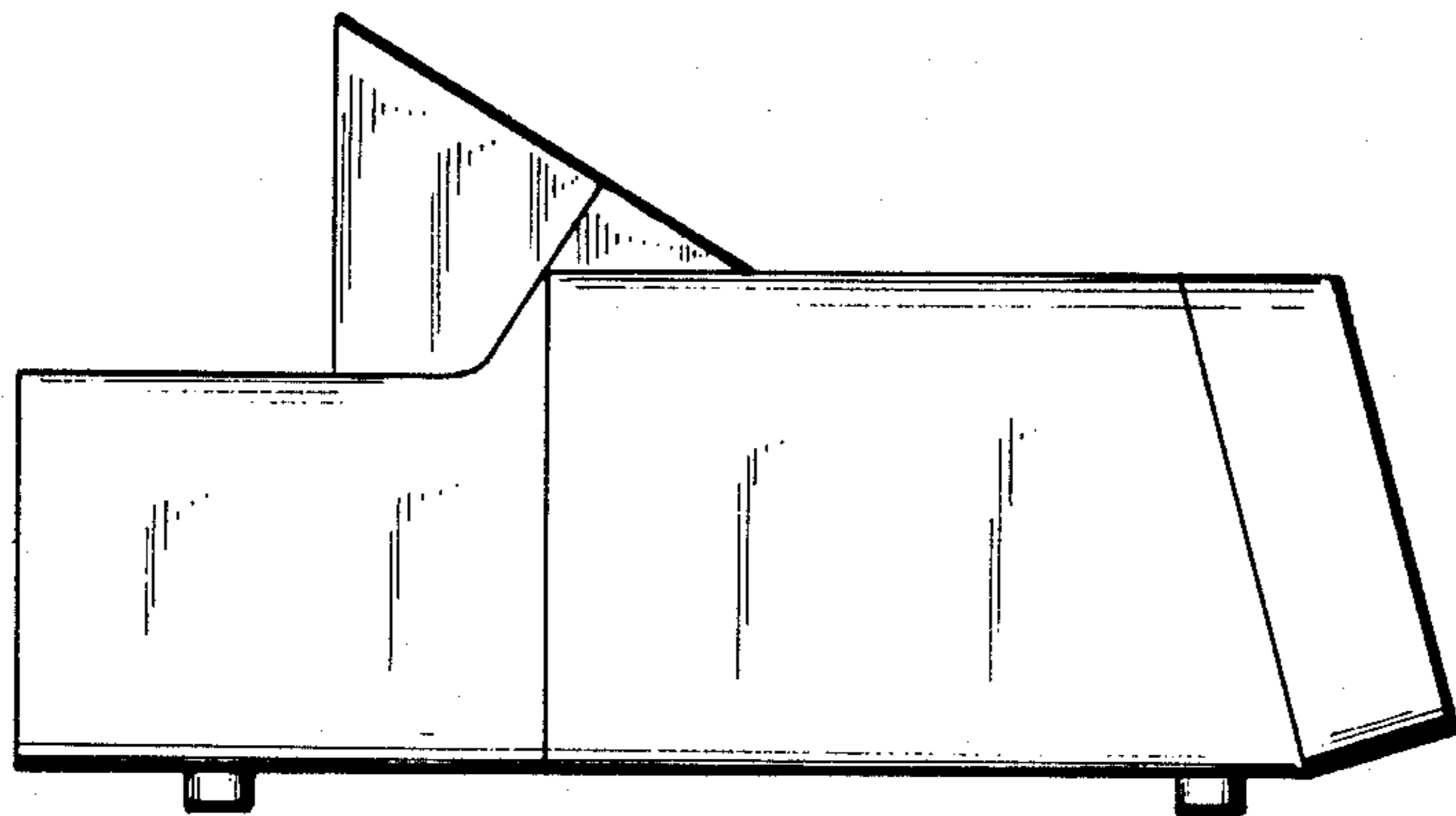


FIG. 8.

FIG. 9.

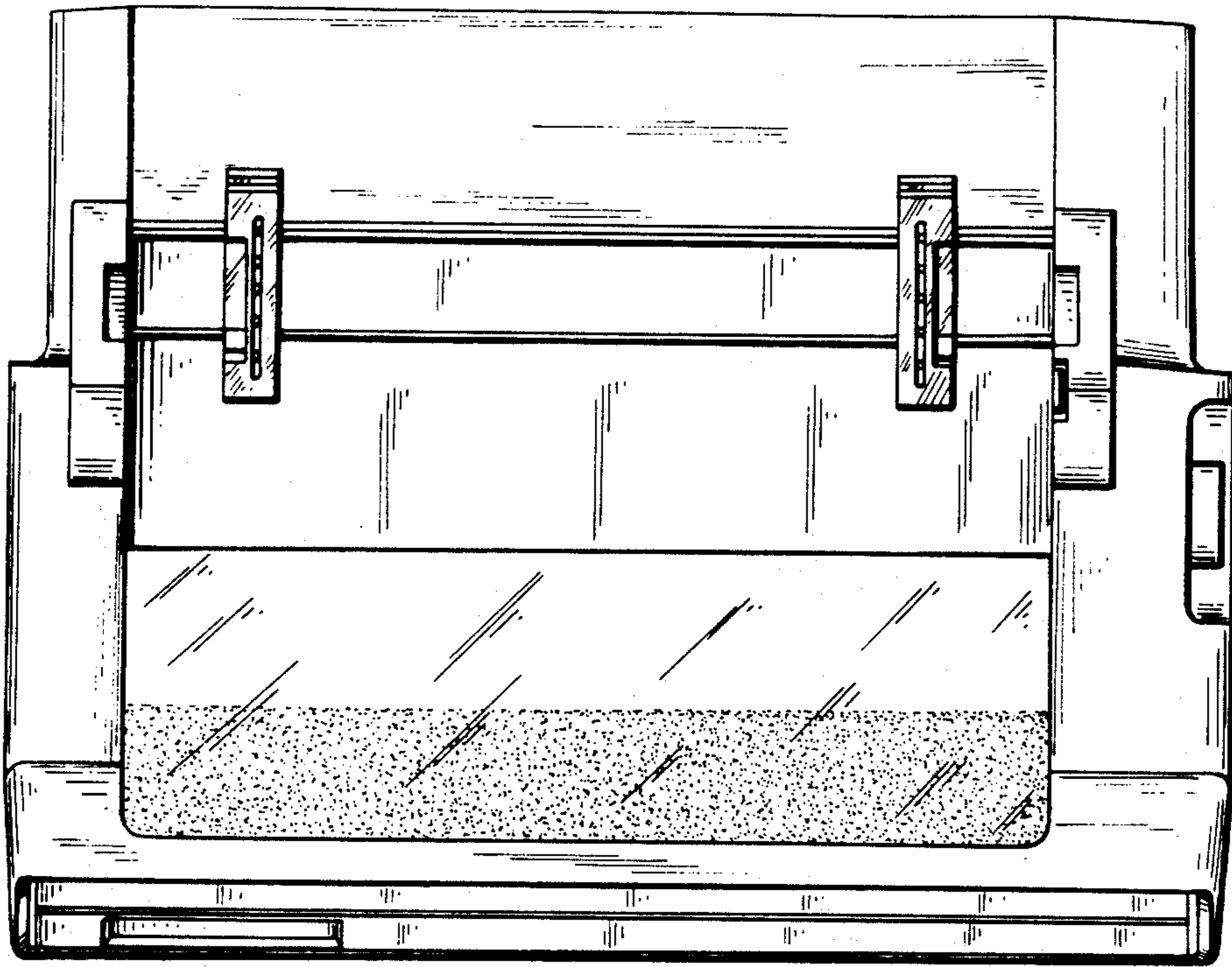
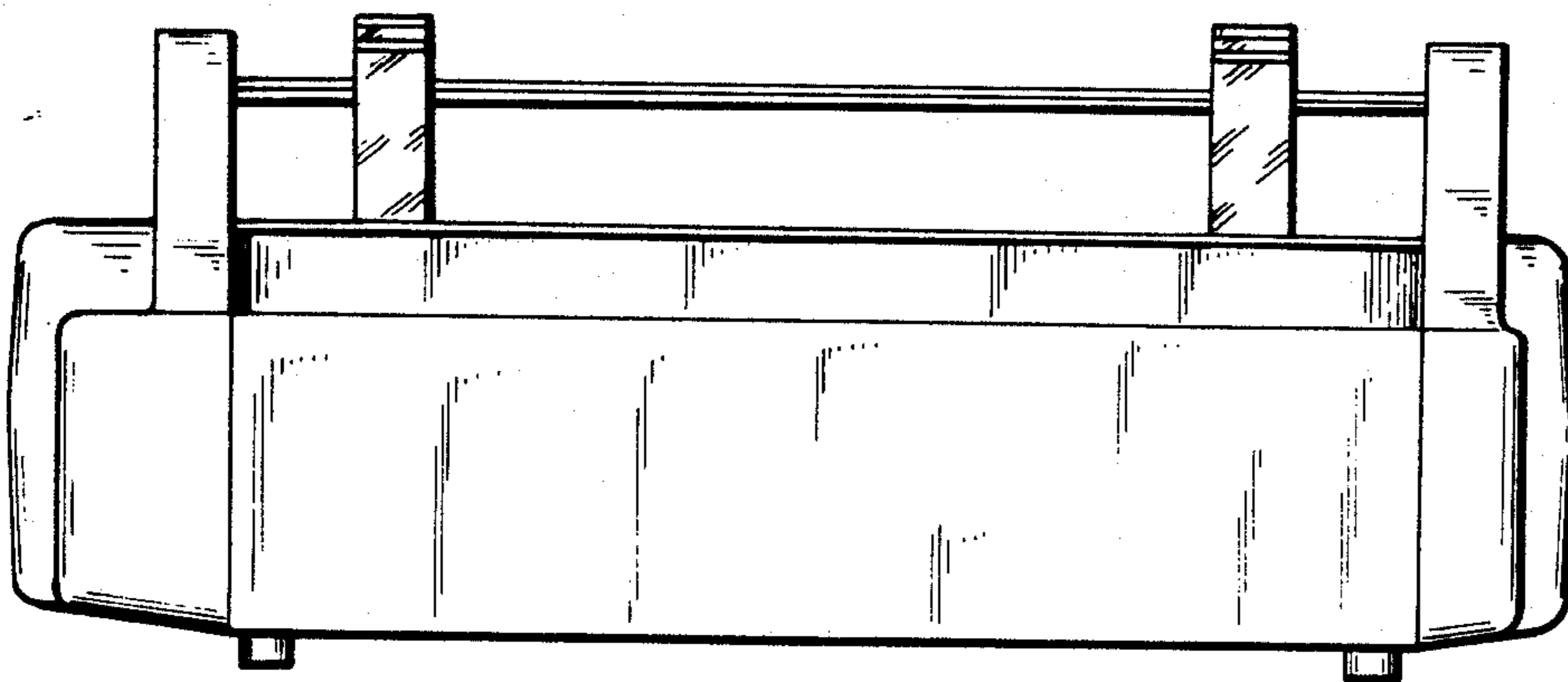


FIG. 10.



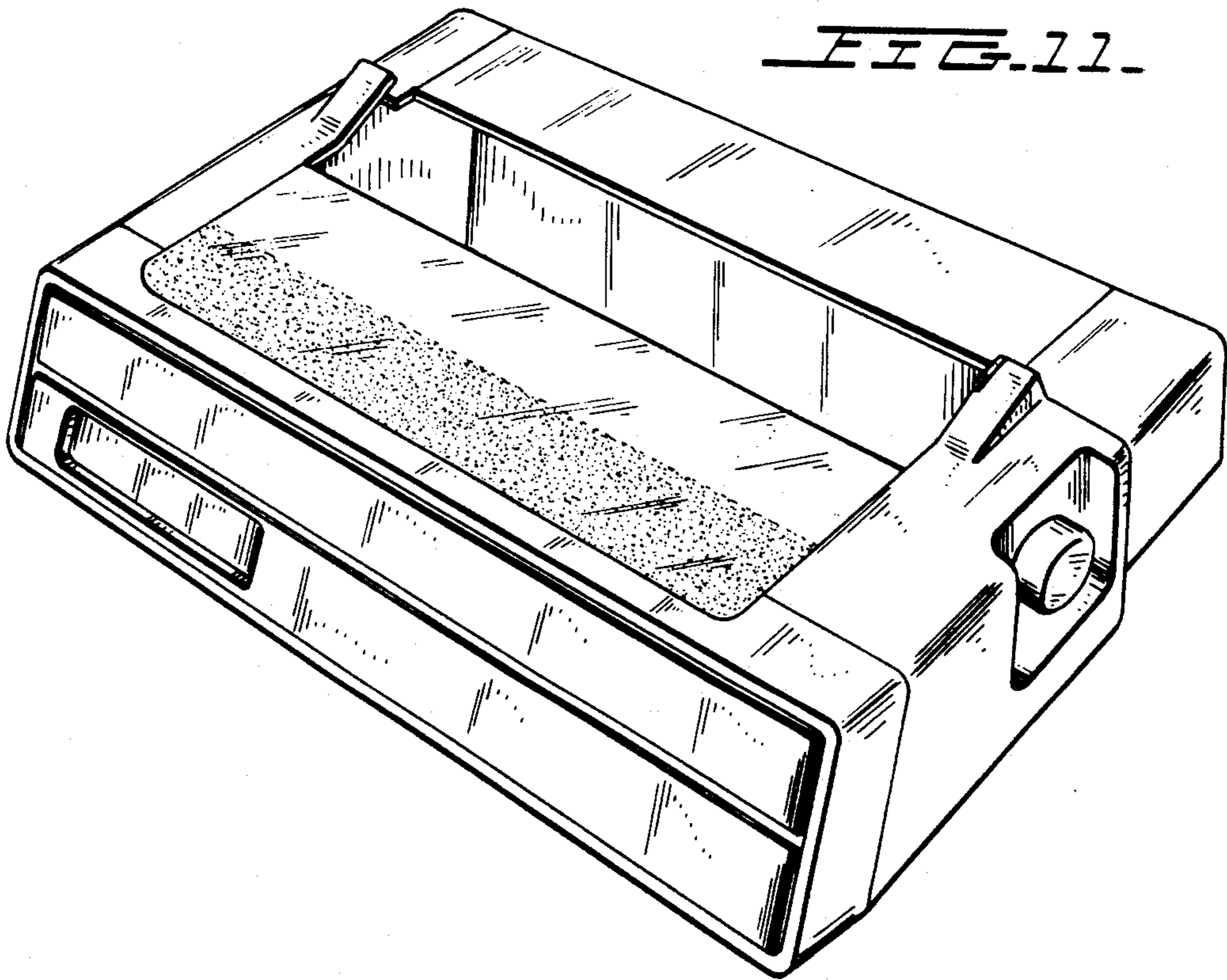


FIG. 11.

FIG. 12.

